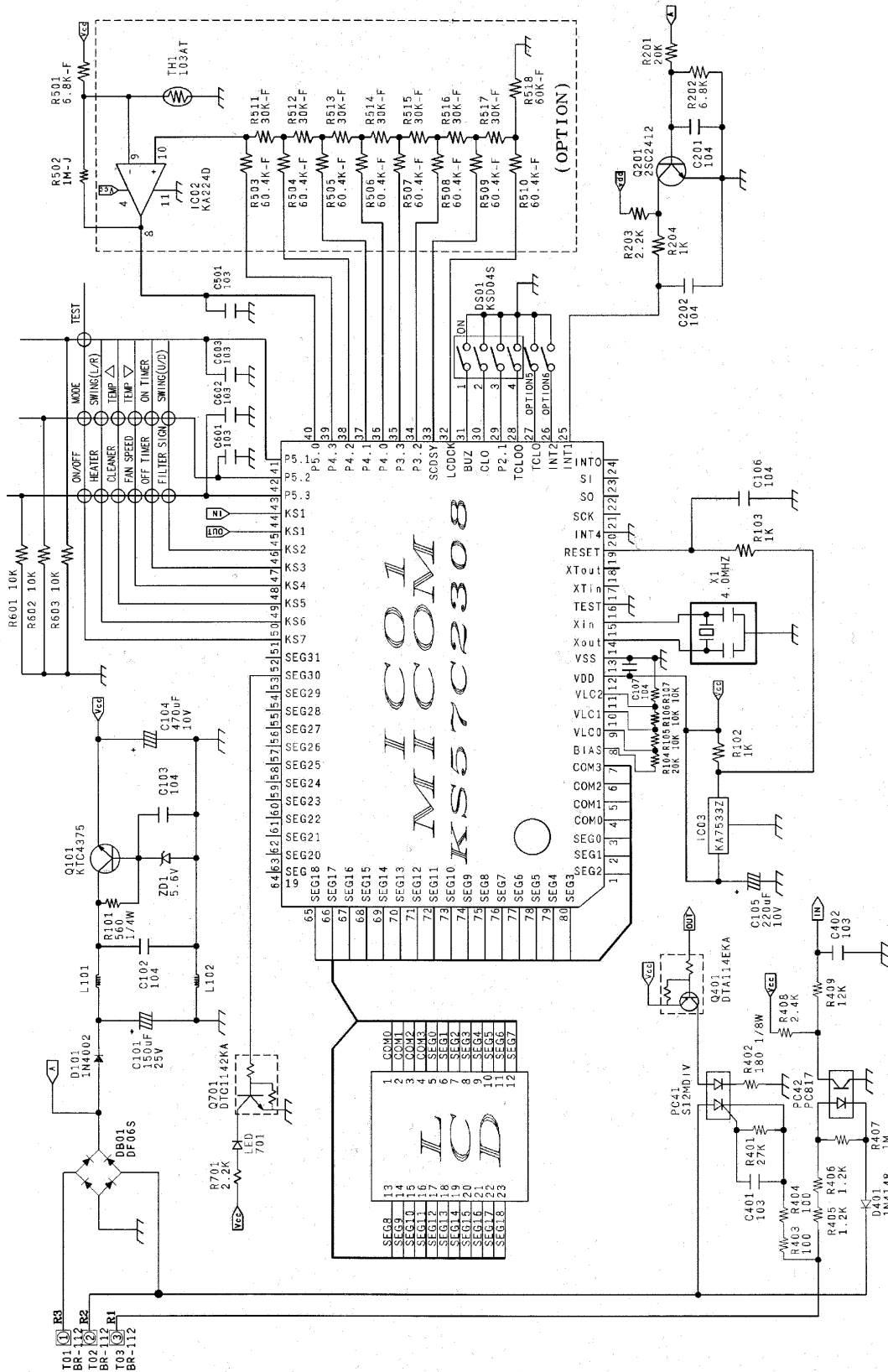
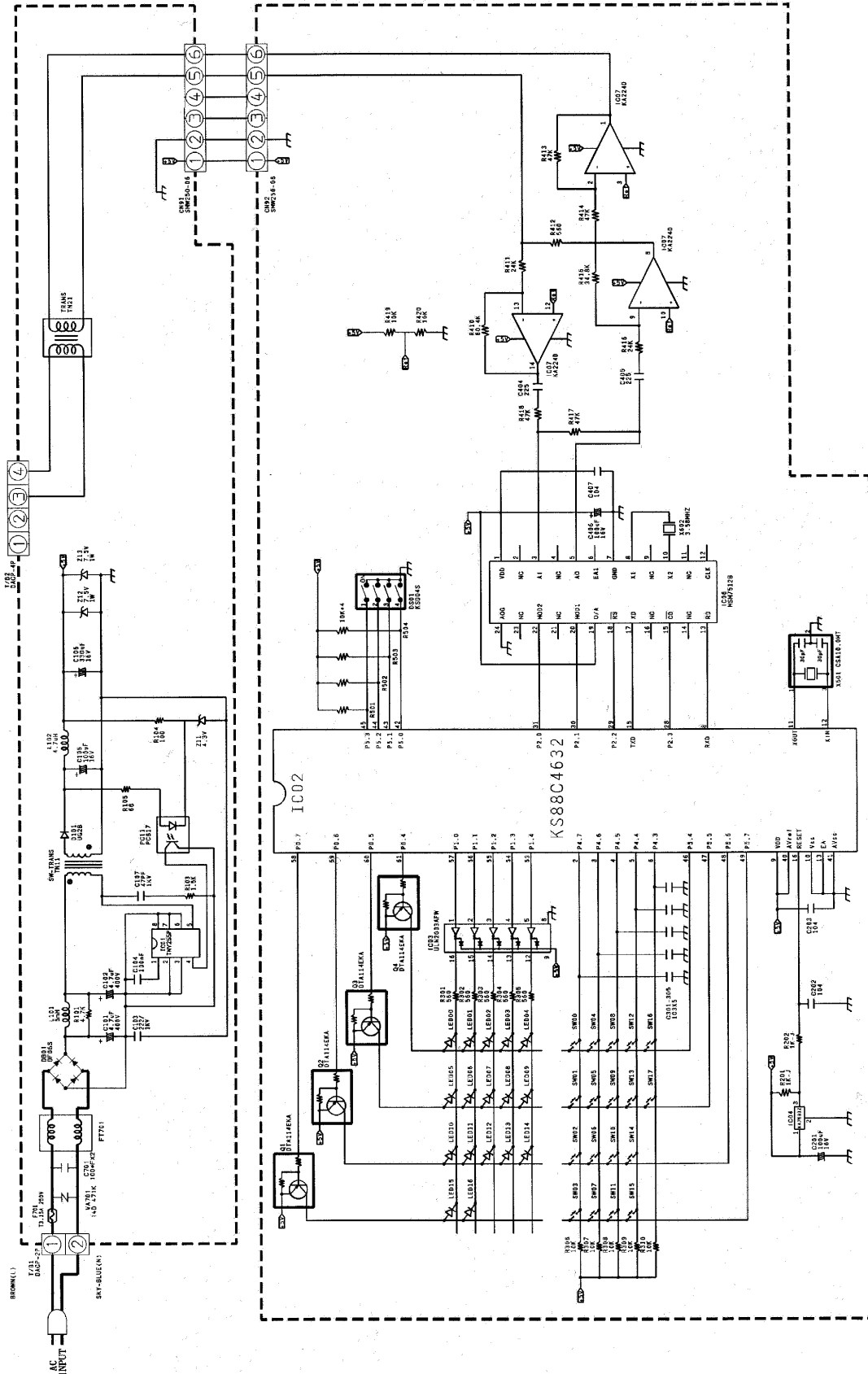


# 11. Schematic Diagrams

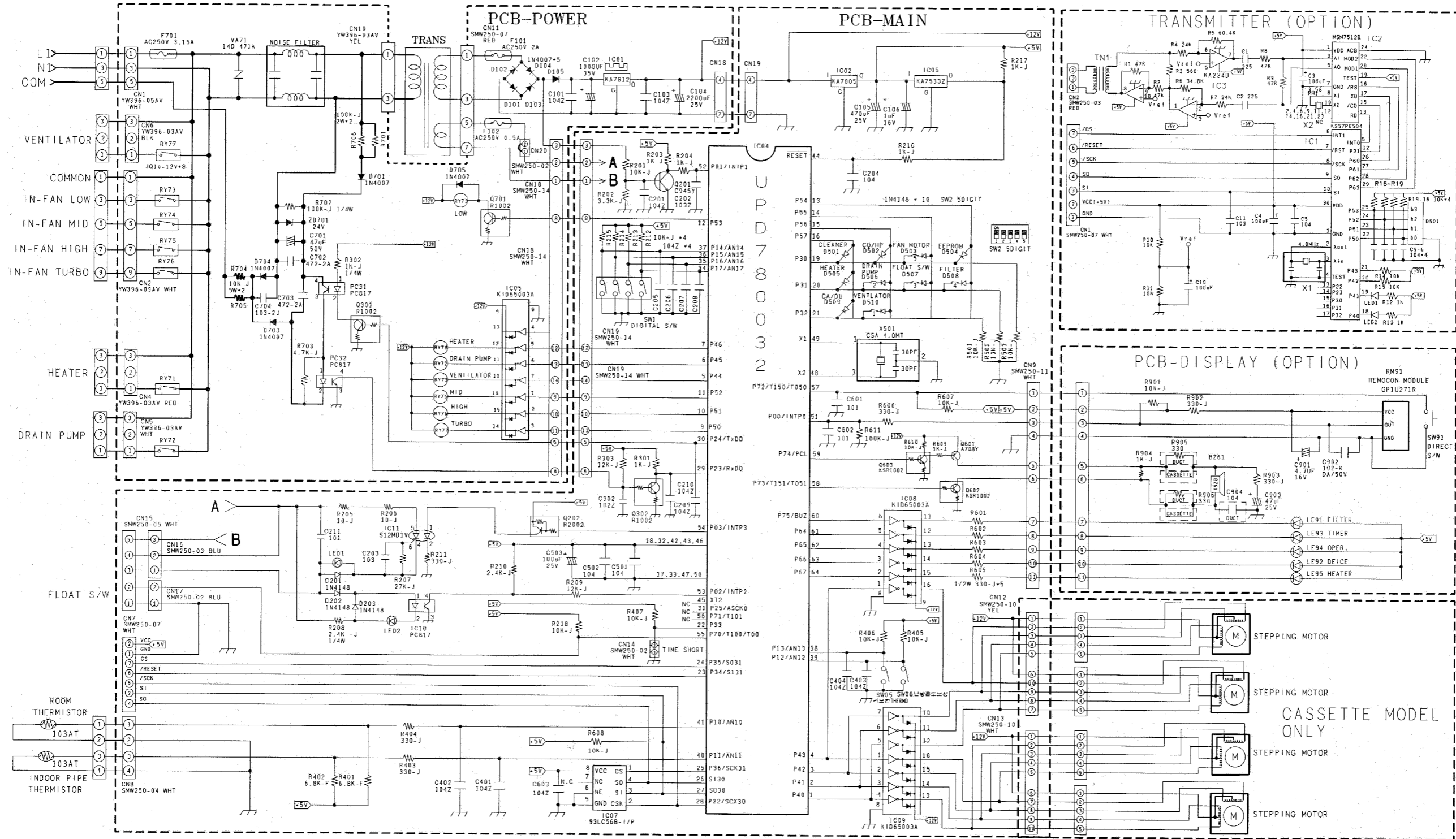
## 11-1 Wired Remote Controller



# 11-2. Centralized Controller



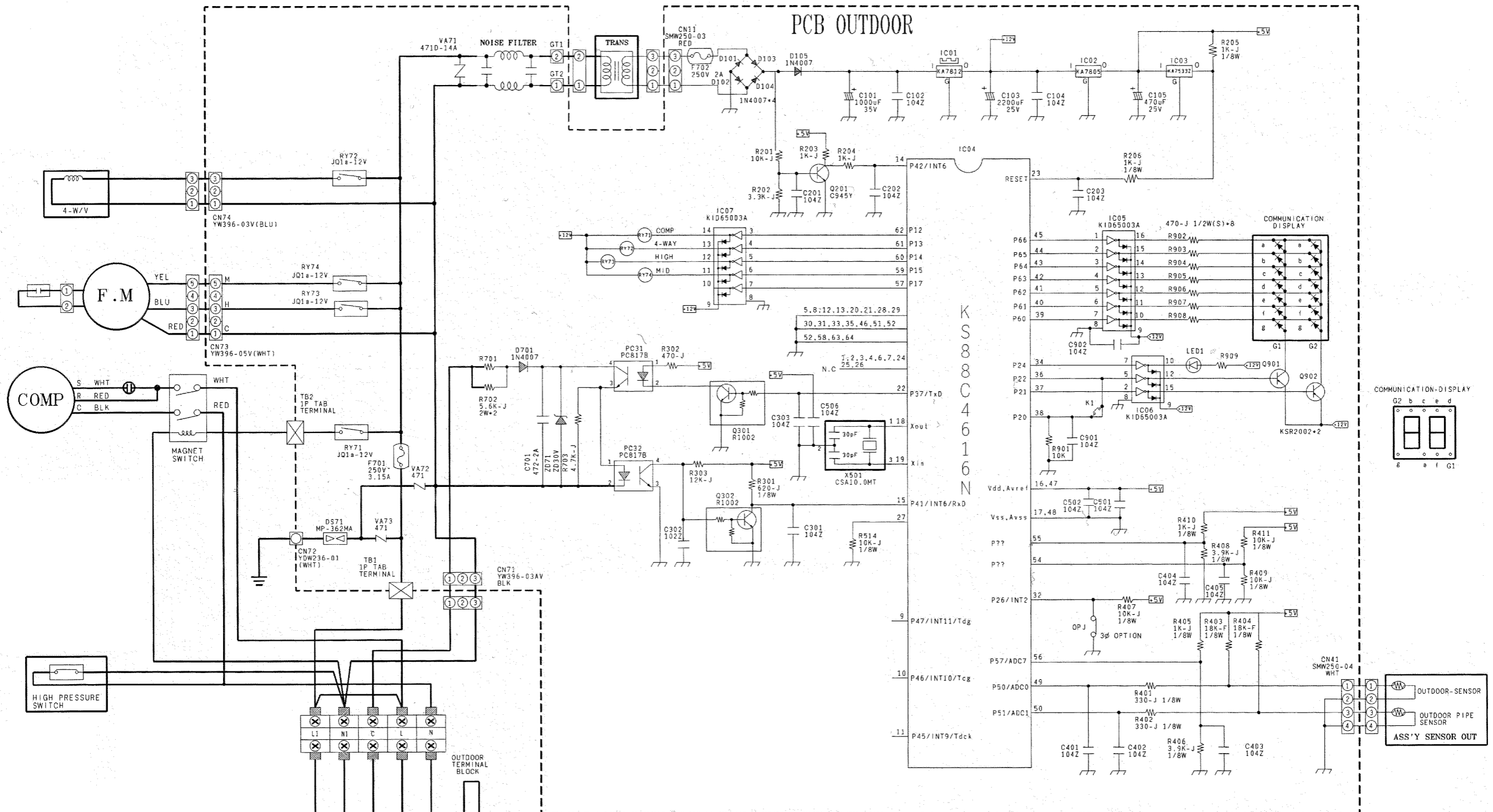
# 11-3. Indoor Unit (ADH1800E, ADH2400E, ADH3200E)



OPTION SW2	SW ON	SW OFF
1 VENTILATOR	×	○
2 DRAIN PUMP	○	×
3 FLOAT SW	○	×
4 FILTER	2000HR	1000HR
5 FAN MOTOR RPM	L/M/H	M/H/T



# 11-4. Outdoor Unit (ADH1800E, ADH2400E, ADH3200E)



NO	MODEL	R405	R406	R408	R409	R410	R411
1	AXH1800X	1K	3.9K	3.9K	3.9K	1K	1K
2	AXH2400X	1K	3.9K	3.9K	3.9K	1K	1K
3	AXH3200X	1K	3.9K	1K	1K	3.9K	3.9K

## UPDATE LOG SHEET

Application date	Page	Part#	Note(Cause & Solution)	S/Bulletin#

Use this page to keep any special servicing information.(Service Bulletin, etc.)

If only parts number changes, Just change parts number directly on parts list.

And if you need more information, please see the service bulletin

### Copyright

© 1995 by Samsung Electronics Co., Ltd.

All rights reserved.

This manual may not, in whole or in part, be copied, photocopied, reproduced, translated, or converted to any electronic or machine readable form without prior written permission of Samsung Electronics Co., Ltd.

SyncMaster 17GLi/CMG7387L Service Manual  
First edition June 1995.

Printed in Korea.

### Trademarks

Samsung is a registered trademark and SyncMaster 17GLi/CMG7387L and MacMaster Cable Adapter are trademark of Samsung Electronics Co., Ltd.

Macintosh, Centris, Quadra, Duo Dock, and Power Macintosh are trademark of Apple computer, Inc.

All other trademarks are the property of their respective owners.

