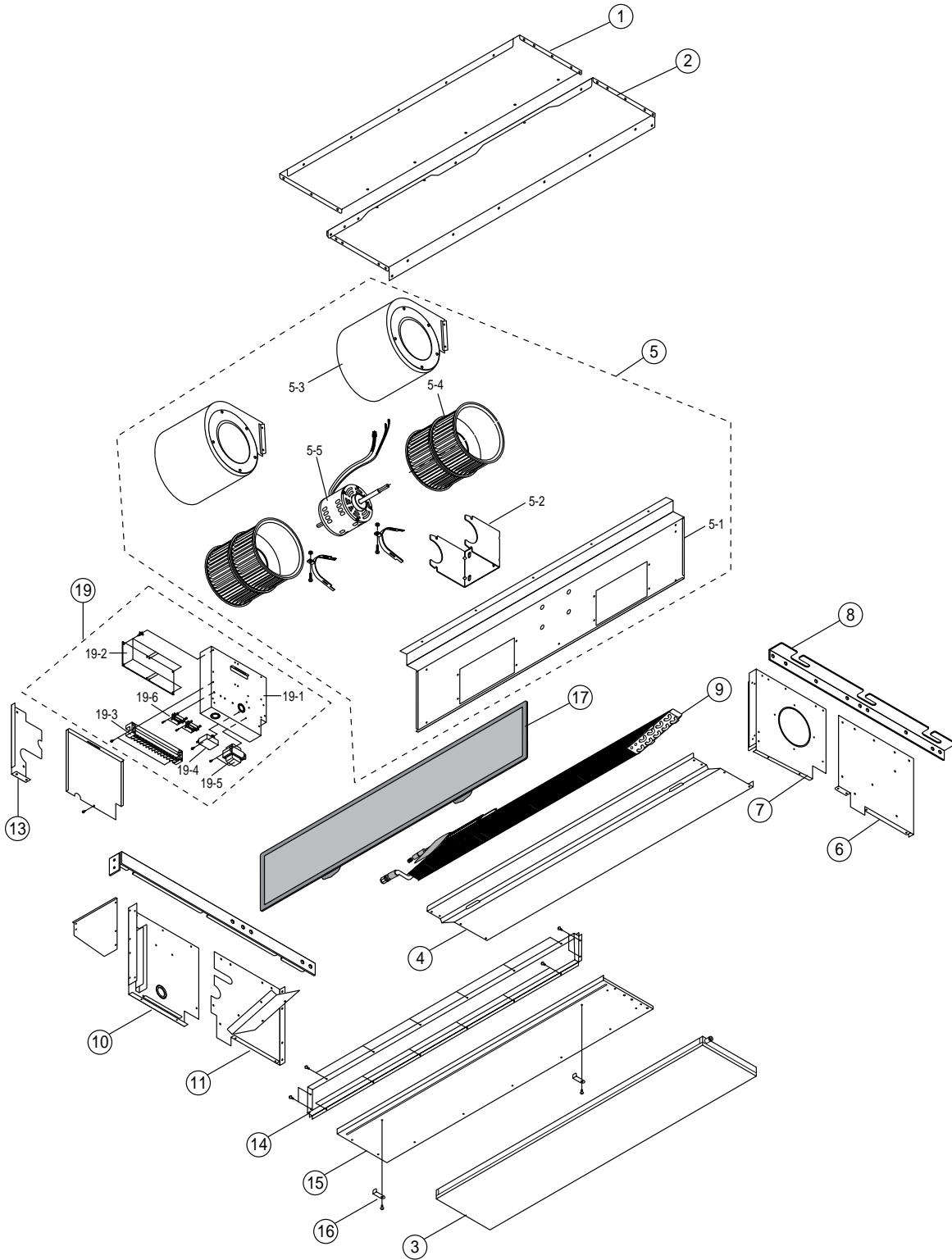


7. Exploded Views and Part List

7-1 Indoor Unit

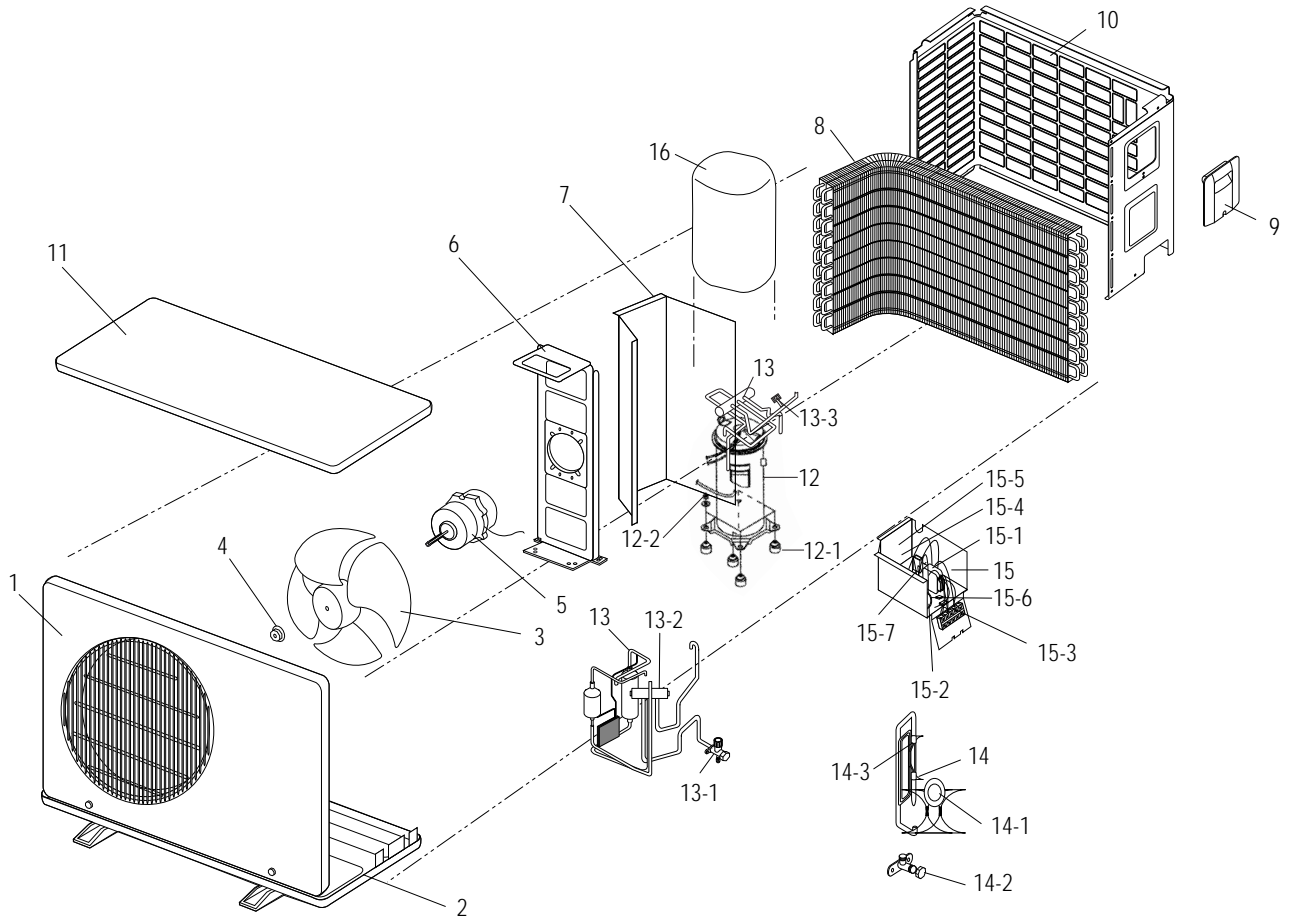


■ Indoor Unit Parts list

NO	CODE NO	Description	Specification	IDH1800E DH18ZA1(A2)	IDH2400E DH24ZA1(A2)	IDH3200E DH32ZA1(A2)
1	DB63 - 00076A	COVER-TOP	SGCC-M T0.8	1	1	1
2	DB63 - 00074A	COVER-CASE DUCT	SGCC-M T0.8	1	1	1
3	DB94 - 00022A	ASS'Y-DRAIN PAN	ASS'Y, BLK	1	1	1
4	DB61 - 00099A	CASE-BOTTOM	SGCC-M T0.8	1	1	-
	DB61 - 00236A	CASE-BOTTOM		-	-	1
	DB61 - 00237A	CASE-BOTTOM, B		-	-	1
5	DB94 - 00023A	ASS'Y-BLOWER, DUCT	ADH2400E	1	1	-
	DB94 - 00051A	ASS'Y-BLOWER, DUCT	ADH3200E	-	-	1
5-1	DB64 - 00071A	PANEL-DUCT MOTOR	SGCC-M T1.2	1	1	1
5-2	DB61 - 00155A	BRACKET-MOUNT MOTOR	SGCC-M T2.0	1	1	1
5-3	DB90 - 00121A	ASS'Y-CASE, FAN	ADH2400E	2	2	2
5-4	DB67 - 00046A	BLOWER	ASS'Y, SGCC-M, ϕ 175	2	2	2
5-5	DB31 - 00025A	MOTOR-FAN, IN	OSME-1504 SAC	1	1	-
	DB31 - 00025C	MOTOR-FAN, IN	OSME-1004 SAC	-	-	1
6	DB90 - 00117A	ASS'Y-CABI, LF	ASS'Y	1	1	-
	DB90 - 00159A	ASS'Y-CABI, SIDE, LF	ADH3200E, DUCT	-	-	1
7	DB90 - 00119A	ASS'Y-CABI, INLET, LF	ASS'Y	1	1	1
8	DB70 - 00026A	PLATE-HANGER, LF	SGCC-M T02.0	1	1	1
9	DB96 - 00182A	ASS'Y-EVAP	ADH1800E	1	-	-
	DB96 - 00174A	ASS'Y-EVAP	ADH2400E	-	1	-
	DB96 - 00183A	ASS'Y-EVAP	ADH3200E	-	-	1
10	DB90 - 00120A	ASS'Y-CABI, INLET, RH	ASS'Y	1	1	1
11	DB90 - 00118A	ASS'Y-CABI, SIDE, RH	ASS'Y	1	1	-
	DB90 - 00158A	ASS'Y CABI, SIDE, RH	ADH3200E, ASS'Y	-	-	1
12	DB70 - 00027A	PLATE-HANGER, RH	SGCC-M T2.0	1	1	1
13	DB64 - 00121A	CABINET-SIDE, RH, B	SGCC-M T0.8	1	1	-
	DB64 - 00183A	CABINET-SIDE, RH, B	SGCC-M T0.8	-	-	1
14	DB90 - 00113A	ASS'Y-HOLER OUTLET	ASS'Y	1	1	1
15	DB90 - 00114A	ASS'Y-COVER, BOTTOM	ASS'Y	1	1	1
16	DB71 - 00019A	PLATE-HANDLE	SGCC-M, T1.2	2	2	2
17	DB74 - 00006A	FILTER-PRE	PE, 36X40	1	1	1
18	DB63 - 00080A	COVER-CONTROL	SGCC-M T0.8	1	1	1
19	DB93 - 00249F	ASS'Y-CONTROL, IN	ADH1800E, ASS'Y	1	-	-
	DB93 - 00249G	ASS'Y-CONTROL, IN	ADH2400E, ASS'Y	-	1	-
	DB93 - 00249H	ASS'Y-CONTROL, IN	ADH3200E, ASS'Y	-	-	1
19-1	DB90 - 00116A	ASS'Y-CASE, CONTROL	ASS'Y	1	1	1
19-2	PD - DH2400 - 00	ASS'Y-PCB, PARTS	ADH2400E	1	1	-
	PD - DH3200 - 00	ASS'Y-PCB, PARTS	ADH3200E	-	-	1
19-3	DB65 - 00029C	TERMINAL BOARD, 15P	250V, 20A, 15P	1	1	1
19-4	2301 - 001370	CAPACITOR	450V/2.5UF	1	-	-
	2301 - 001368	CAPACITOR	450V/5.0UF	-	1	-
	2301 - 001367	CAPACITOR	450V/6.0UF	-	-	1
19-5	DB26 - 00002A	TRANS-POWER	250V, 50Hz, AC14V	1	1	1
19-6	DB61 - 40291B	HOLDER-WIRE	PP, T2.0, BLK	2	2	2

7-2 Outdoor Unit

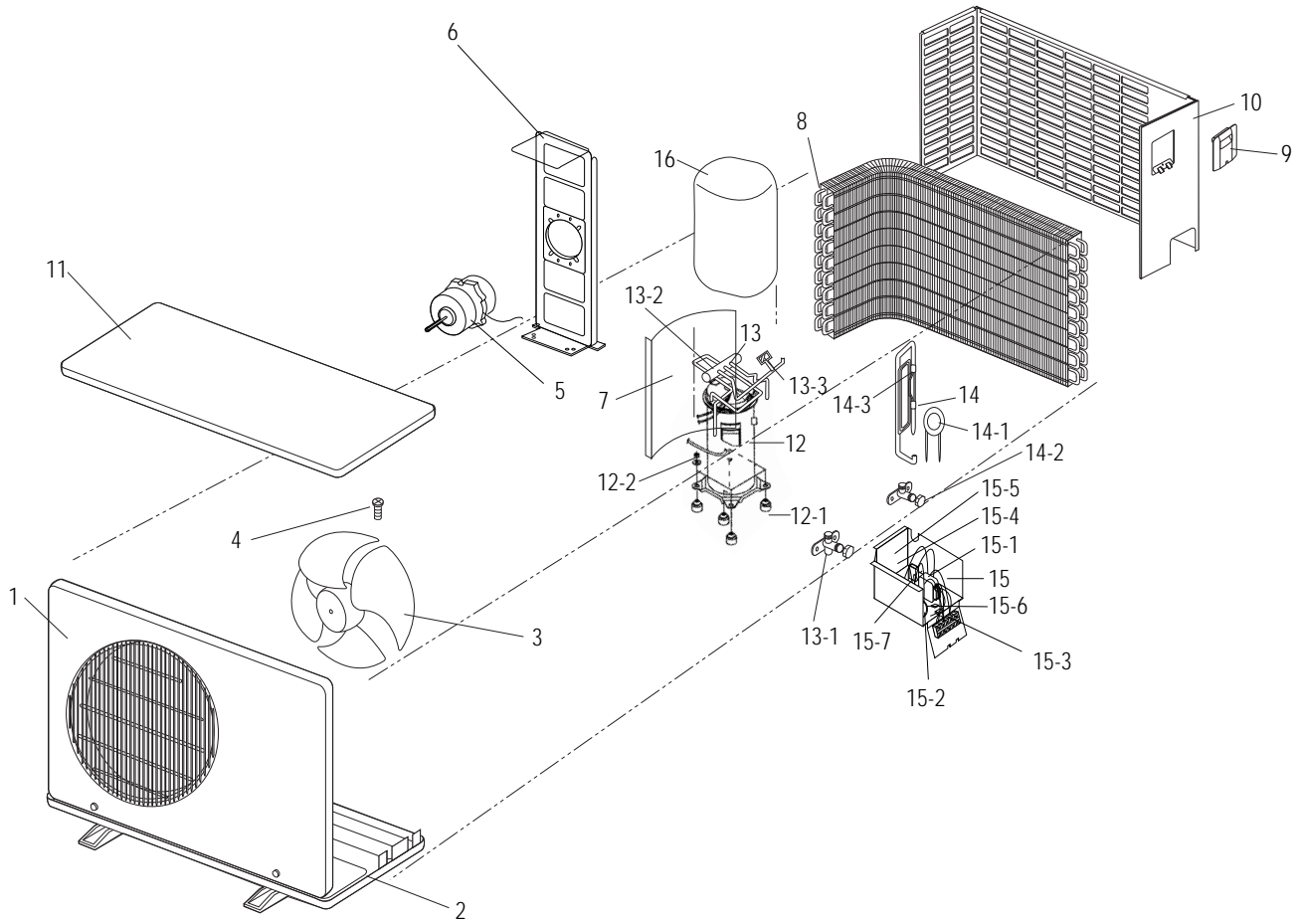
7-2-1 18K



■ Outdoor Unit Parts list (18K)

NO	CODE NO	Description	Specification	Q'TY	Remark
1	DB90-10673C	ASS'Y-CABI, FRONT	AP-4350/5350	1	
2	DB90-20160E	ASS'Y-BASE, OUT	UBH1800E	1	
3	DB67-50063A	FAN-PROPELLER	AS+G/F20%, D405	1	
4	DB60-30020A	NUT-FLANGE	M6, FEFZY, LF	1	
5	DB31-00056A	MOTOR-FAN	ASS030AVEA	1	
6	DB61-20008C	BASE-MOTOR	SGCC-M, T=1.2	1	
7	DB94-50034B	ASS'Y-PARTITION	ASH-1807ER ADD, SEAL	1	
8	DB96-00184A	ASS'Y-CONDENSER	2X24 WAVE 1.7	1	
9	DB90-40176B	ASS'Y-COVER CONTROL	ABS	1	
10	DB90-10671G	ASS'Y-CABI, BACK	AP-4350	1	
11	DB90-00074B	ASS'Y-CABI-UP	M-18	1	
12	DB95-10057N	ASS'Y-COMP	ZR22K3-PFJ	1	
12-1	DB73-10023A	GROMMET COMP	EPDM, T41, BLK	4	
12-2	DB60-30028A	NUT-WASHER	HEX, 2C, M8, ZPC	4	
13	DB96-00189A	ASS'Y-TUBE 4WAY V/V	ADH1800E, 5/8"	1	
13-1	DB62-40055F	VALVE-SERVICE 5/8	5/8"	1	
13-2	DB62-40036A	VALVE-4WAY	ASS'Y	1	
13-3	DB34-00004A	SWITCH-PRESSURE	ASS'Y	1	
14	DB96-00190A	ASS'Y-TUBE, CHECK, V/V	ADH1800E(3/8")	1	
14-1	DB62-00218A	TUBE-CAPILLARY CHECK	C1220T-0, ID2.0X500	1	
14-2	DB62-00287A	VALVE-SERVICE, 3/8	3/8"	1	
14-3	DB62-40105D	VALVE-CHECK	CHV0201	1	
15	DB93-00252E	ASS'Y-CONTROL BOX	UDH1800E	1	
15-1	DB34-90057C	SWITCH-MAGENT	45CG20ALB	1	
15-2	2501-001214	CAPACITOR	40UF/400V, COMP	1	
15-3	DB65-40022G	TERMINAL-BLOCK	6P, 600V, 35A	1	
15-4	PD-DH2400-S0	ASS'Y-PCB PART	ASS'Y	1	
15-5	DB61-00152A	CASE-PCB, OUT	T2.5, ABS, BLK	1	
15-6	DB26-10070A	TRANS-POWER	DC17, AC230	1	
15-7	2301-001370	CAPACITOR MOTOR	2.5μF, EAF45255	1	
16	DB72-00122A	CLOTH-SOUND, COMP	T12, W800, L350	1	

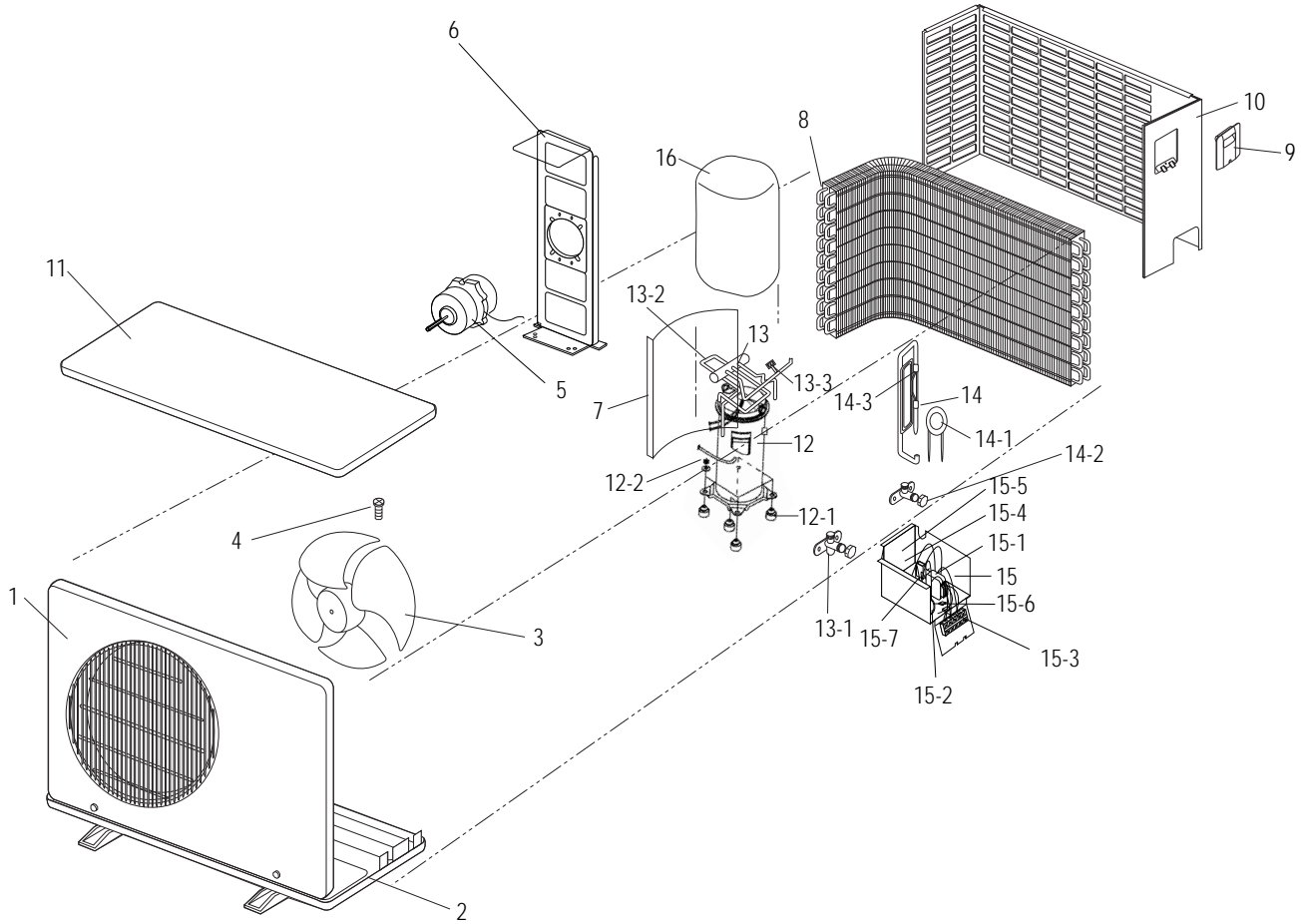
• 24K



■ Outdoor Unit Parts list (24K)

NO	CODE NO	Description	Specification	Q'TY	Remark
1	DB90 - 10634L	ASS'Y-CABI, FRONT	ASH-3500	1	
2	DB90 - 20157L	ASS'Y-BASE, OUT	AP-7650	1	
3	DB67 - 50074A	FAN-PROPELLER	AS-1569	1	
4	-	BOLT-SPECIAL	M6	1	
5	DB31 - 00027A	MOTOR-FAN	OSME-806SRC	1	
6	DB95 - 20147A	ASS'Y-MOTOR, B/K	AS-1569, ASSY	1	
7	DB94 - 50039C	ASS'Y-PARTITION	ASM-3500A	1	
8	DB96 - 00180A	ASS'Y-CONDENSER	2X24, D-5, 1.7mm	1	
9	DB90 - 40176B	ASS'Y-COVER CONTROL	AS-126/1210	1	
10	DB64 - 60160C	CABINET-SIDE	SECC-P, SC-90073T	1	
11	DB90 - 10616D	ASS'Y-CABI, UP	ADH2400E, ASS'Y	1	
12	DB95 - 10057G	ASS'Y-COMP, SCROLL	ZR28K3-PFJ	1	
12-1	DB73 - 10023A	GROMMET COMP	EPDM, T41, BLK	4	
12-2	DB60 - 30028A	NUT-WASHER	HEX, 2C, M8, ZPC	4	
13	DB96 - 00177A	ASS'Y-TUBE 4WAY V/V	ADH2400E, 5/8"	1	
13-1	DB62 - 40055F	VALVE-SERVICE	5/8"	1	
13-2	DB62 - 40036A	VALVE-4WAY	ASS'Y	1	
13-3	DB34 - 00004A	SWITCH-PRESSURE	ASS'Y	1	
14	DB96 - 00178A	ASS'Y-TUBE, CHECK, V/V	ADH2400E, 3/8"	1	
14-1	DB62 - 00217A	TUBE-CAPILLARY CHECK	C1220T-0, ID2.0X700	1	
14-2	DB62 - 40011G	VALVE-SERVICE	3/8"	1	
14-3	DB62 - 40105D	VALVE-CHECK	CHV0201	1	
15	DB93 - 00250G	ASS'Y-CONTROL BOX	ADH2400E, ASS'Y	1	
15-1	DB34 - 90057C	SWITCH-MAGENT	45CG20ALB	1	
15-2	2501 - 001215	C-OIL	45 μ F/400V	1	
15-3	DB65 - 40022G	TERMINAL-BLOCK	6P, 600V, 35A	1	
15-4	PD - DH2400 - S0	ASS'Y-PCB PART	ASS'Y	1	
15-5	DB61 - 00152A	CASE-PCB, OUT	T2.5, ABS, BLK	1	
15-6	DB26 - 10070A	TRANS-POWER	DC17, AC230	1	
15-7	2301 - 001369	CAPACITOR MOTOR	3 μ F, EAF45305	1	
16	DB72 - 00122A	CLOTH-SOUND, COMP	T12, W800, L350	1	

• 32K



■ Outdoor Unit Parts list (32K)

NO	CODE NO	Description	Specification	Q'TY	Remark
1	DB90 - 00035E	ASS'Y-CABI, OUT	AP-3707BR	1	
2	DB90 - 20157L	ASS'Y-BASE, OUT	AP-7650	1	
3	DB67 - 50067A	FAN-PROPELLER	AS+G/F20%, D495, 4BLABD	1	
4	-	BOLT-SPECIAL	M6	1	
5	DB31 - 00058A	MOTOR-FAN	ASS130AVEC	1	
6	DB61 - 20093A	BASE MOTOR	SGCC-M, T1.6	1	
7	DB94 - 50021D	ASS'Y-PARTITION	KFH28PV2	1	
8	DB96 - 00185A	ASS'Y-CONDENSER	2X30, WAVE1.7	1	
9	DB90 - 40176B	ASS'Y-COVER CONTROL	ABS	1	
10	DB64 - 10672C	ASS'Y-CABI, BACK	AP-7650	1	
11	DB90 - 10616D	ASS'Y-CABI, UPP	KRH24SV1	1	
12	DB95 - 10057K	ASS'Y-COMP-SCROLL	ZR42K3-PFJ	1	
12-1	DB73 - 10023A	GROMMET COMP	EPDM, T41, BLK	4	
12-2	DB60 - 30028A	NUT-WASHER	HEX, 2C, M8, ZPC	4	
13	DB96 - 00192A	ASS'Y-TUBE 4WAY V/V	ADH3200E	1	
13-1	DB62 - 40055F	VALVE-SERVICE 5/8	5/8"	1	
13-2	DB62 - 40023A	VALVE-4WAY	ASS'Y	1	
13-3	DB34 - 00004A	SWITCH-PRESSURE	ASS'Y	1	
14	DB96 - 00191A	ASS'Y-TUBE, CHECK, V/V	ADH3200E	1	
14-1	DB62 - 00218A	TUBE-CAPILLARY CHECK	C1220T-0, ID2.0X500	1	
14-2	DB62 - 40011G	VALVE-SERVICE, 3/8	3/8"	1	
14-3	DB62 - 40105D	VALVE-CHECK	CHV0201	1	
15	DB93 - 00253C	ASS'Y-CONTROL BOX	ADH3200E	1	
15-1	3501 - 001168	RELAY-POWER	45DG20ALB	1	
15-2	2501 - 001213	CAPACITOR	30 μ F/400V	2	
15-3	DB65 - 40022G	TERMINAL-BLOCK 6P	6P, 600V, 35A	1	
15-4	PD - DH3200 - S0	ASS'Y-PCB PART	ASS'Y	1	
15-5	DB61 - 00152A	CASE-PCB, OUT	T2.5, ABS, BLK	1	
15-6	DB26 - 10070A	TRANS-POWER	DC17, AC230	1	
15-7	2301 - 001367	CAPACITOR	450V/6.0 μ F	1	
16	DB72 - 00159A	INSULATION-COMP-SOUND	T12, 355, 525	1	

MEMO