

Service Manual

AIR CONDITIONER

Supplement

CS-A24BB4P CU-A24BBP5
 CS-A28BB4P CU-A28BBP5
 CS-A28BB4P CU-A28BBP8
 CS-A34BB4P CU-A34BBP5
 CS-A34BB4P CU-A34BBP8
 CS-A43BB4P CU-A43BBP8
 CS-A50BB4P CU-A50BBP8
 CS-A24BB4P CU-C24BBP5
 CS-A28BB4P CU-C28BBP5
 CS-A28BB4P CU-C28BBP6
 CS-A28BB4P CU-C28BBP8
 CS-A34BB4P CU-C34BBP5
 CS-A34BB4P CU-C34BBP7
 CS-A34BB4P CU-C34BBP8
 CS-A43BB4P CU-C43BBP7
 CS-A43BB4P CU-C43BBP8
 CS-A50BB4P CU-C50BBP7
 CS-A50BB4P CU-C50BBP8

(Oceania market only)

Subject : Correction in Specification (Heat Pump Type), Sound Data, Indoor and Outdoor Unit Replacement Parts.

Please file and use this supplement manual together with the service manual for Model No. CS-A24BB4P/CU-A24BBP5, CS-A28BB4P/CU-A28BBP5, CS-A28BB4P/CU-A28BBP8, CS-A34BB4P/CU-A34BBP5, CS-A34BB4P/CU-A34BBP8, CS-A43BB4P/CU-A43BBP8, CS-A50BB4P/CU-A50BBP8, CS-A24BB4P/CU-C24BBP5, CS-A28BB4P/CU-C28BBP5, CS-A28BB4P/CU-C28BBP6, CS-A28BB4P/CU-C28BBP8, CS-A34BB4P/CU-C34BBP5, CS-A34BB4P/CU-C34BBP7, CS-A34BB4P/CU-C34BBP8, CS-A43BB4P/CU-C43BBP7, CS-A43BB4P/CU-C43BBP8, CS-A50BB4P/CU-C50BBP7, CS-A50BB4P/CU-C50BBP8, Order No. MAC0112071C0.

WARNING

This service information is designed for experienced repair technicians only and is not designed for use by the general public. It does not contain warnings or cautions to advise non-technical individuals of potential dangers in attempting to service a product. Products powered by electricity should be serviced or repaired only by experienced professional technicians. Any attempt to service or repair the product or products dealt with in this service information by anyone else could result in serious injury or death.

Panasonic

© 2002 Matsushita Industrial Corporation Sdn. Bhd. (11969-T). All rights reserved. Unauthorized copying and distribution is a violation of law.

CONTENTS

	Page		Page
1 SPECIFICATION (HEAT PUMP TYPE) (Pages: 8 ~ 14)		2 SOUND DATA (Pages: 72, 73 & 74)	4
(correction for Outdoor Unit Noise Level)	3	3 REPLACEMENT PARTS (Pages: 136, 145, 146, & 149)	5

1 SPECIFICATION (HEAT PUMP TYPE) (Pages: 8 ~ 14) (correction for Outdoor Unit Noise Level)

1.1. CS-A24BB4P / CU-A24BBP5

ITEM / MODEL		Outdoor unit
		Main Body
Noise Level	dB (A)	Cooling 50, Heating 51
	Power level dB	Cooling 62, Heating 63

1.2. CS-A28BB4P / CU-A28BBP5

ITEM / MODEL		Outdoor unit
		Main Body
Noise Level	dB (A)	Cooling 50, Heating 53
	Power level dB	Cooling 62, Heating 65

1.3. CS-A28BB4P / CU-A28BBP8

ITEM / MODEL		Outdoor unit
		Main Body
Noise Level	dB (A)	Cooling 50, Heating 53
	Power level dB	Cooling 62, Heating 65

1.4. CS-A34BB4P / CU-A34BBP5

ITEM / MODEL		Outdoor unit
		Main Body
Noise Level	dB (A)	Cooling 54, Heating 56
	Power level dB	Cooling 66, Heating 68

1.5. CS-A34BB4P / CU-A34BBP8

ITEM / MODEL		Outdoor unit
		Main Body
Noise Level	dB (A)	Cooling 54, Heating 56
	Power level dB	Cooling 66, Heating 68

1.6. CS-A43BB4P / CU-A43BBP8

ITEM / MODEL		Outdoor unit
		Main Body
Noise Level	dB (A)	Cooling 54, Heating 56
	Power level dB	Cooling 66, Heating 68

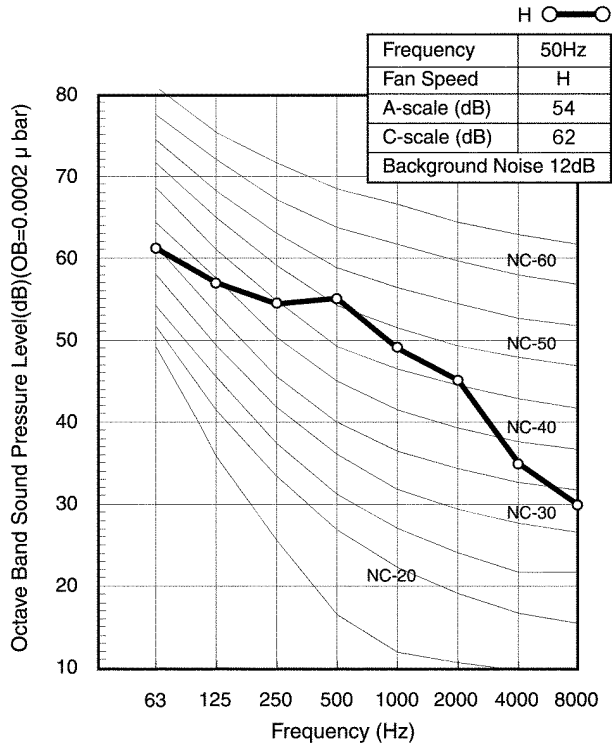
1.7. CS-A50BB4P / CU-A50BBP8

ITEM / MODEL		Outdoor unit
		Main Body
Noise Level	dB (A)	Cooling 55, Heating 57
	Power level dB	Cooling 67, Heating 69

2 SOUND DATA (Pages: 72, 73 & 74)

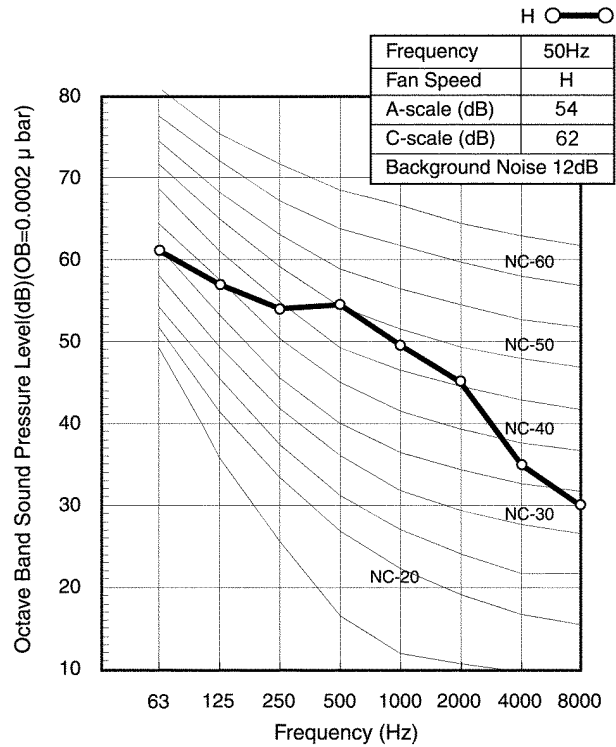
CU-A34BBP5, CU-A34BBP8 (Cooling Noise Level)

Octave Band Central Frequency (Hz)



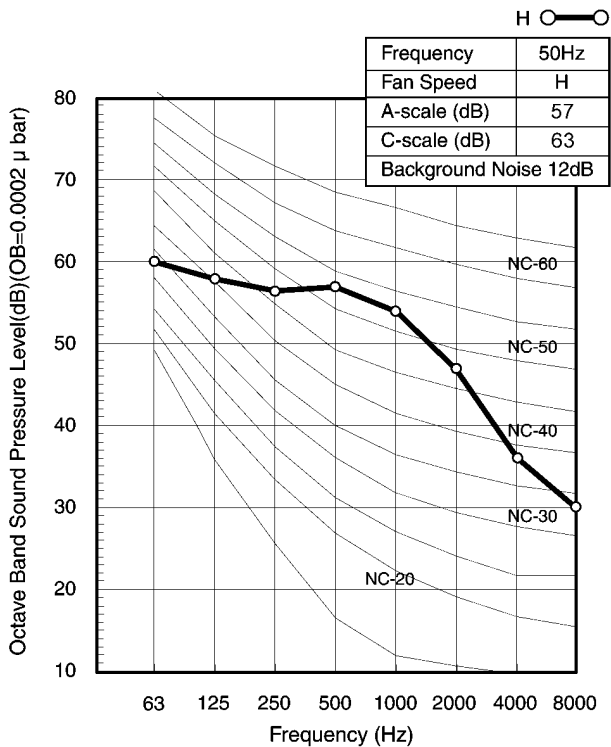
CU-A43BBP8 (Cooling Noise Level)

Octave Band Central Frequency (Hz)



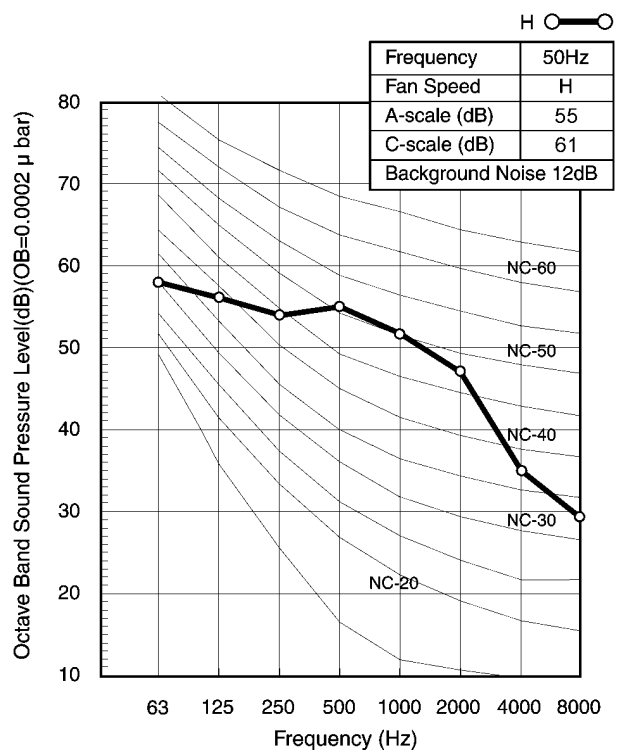
CU-A50BBP8 (Heating Noise Level)

Octave Band Central Frequency (Hz)



CU-A50BBP8 (Cooling Noise Level)

Octave Band Central Frequency (Hz)



3 REPLACEMENT PARTS (Pages: 136, 145, 146, & 149)

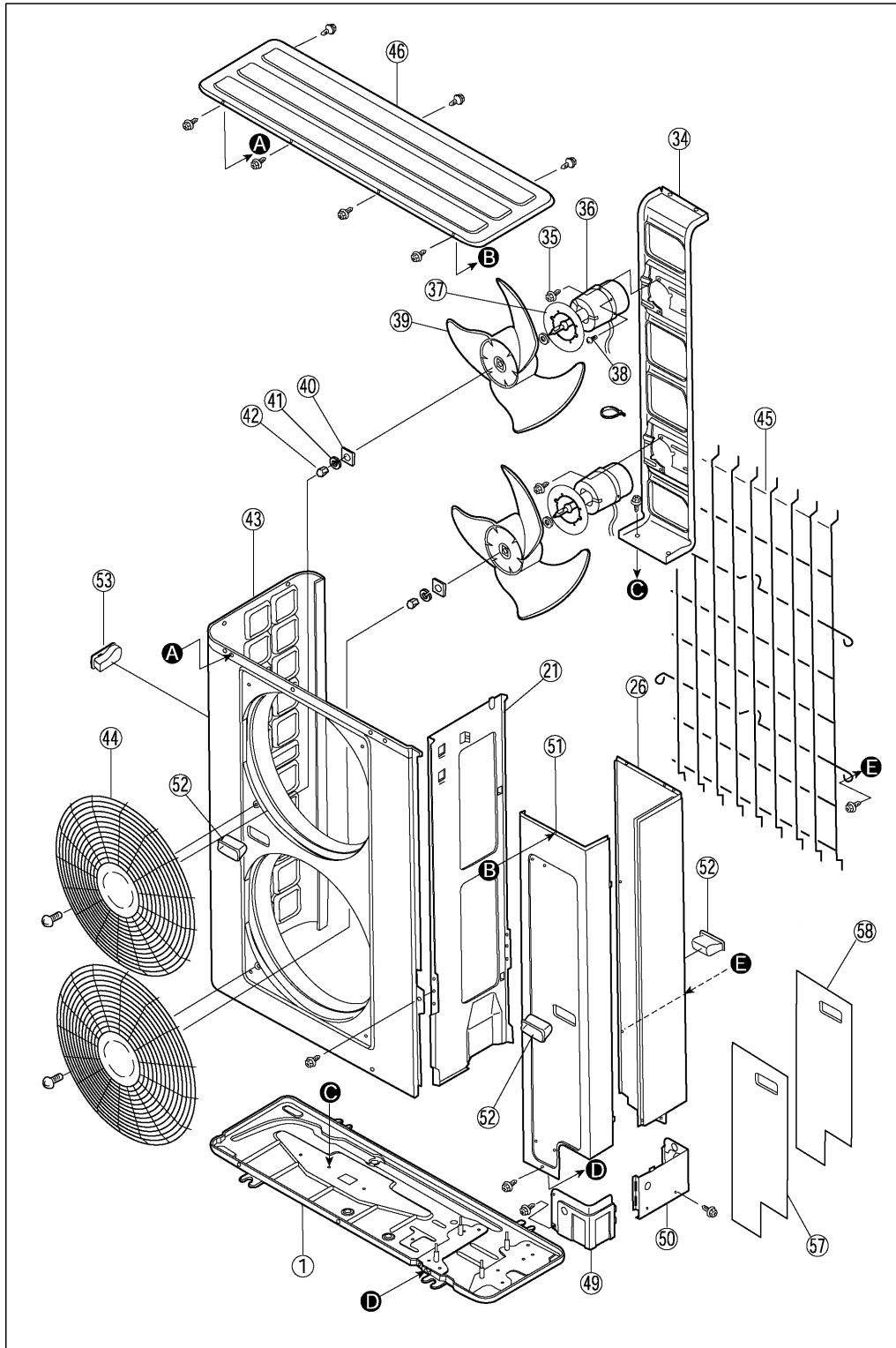
3.1. INDOOR UNIT

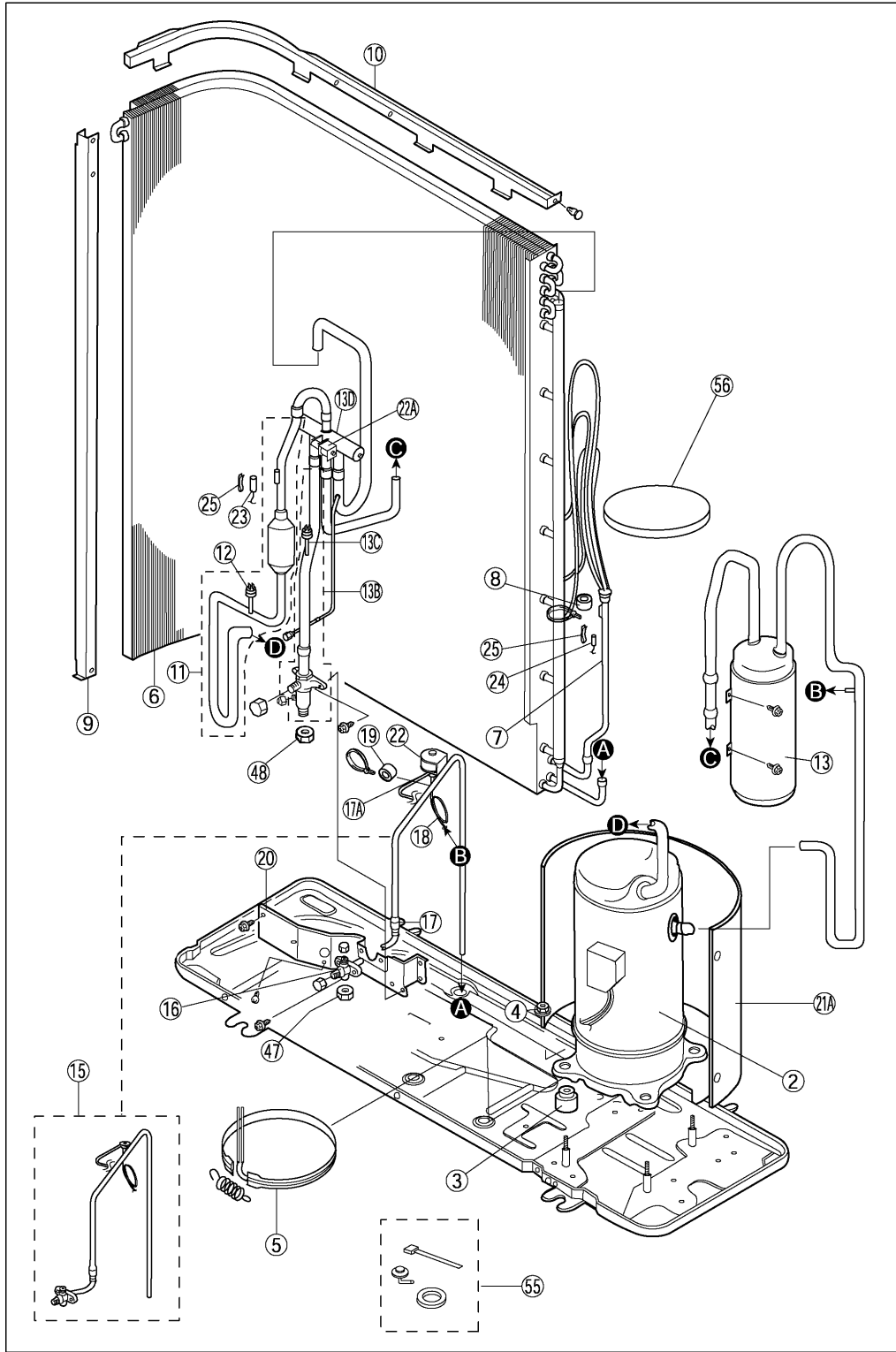
NO.	PART DESCRIPTION	QTY.	CS-A24BB4P	CS-A28BB4P	CS-A34BB4P	CS-A43BB4P	CS-A50BB4P
	OPERATING INSTRUCTION	1	CWF563731	←	←	←	←

All parts are supplied from MAICO, Malaysia (Vendor Code: 061)

3.2. OUTDOOR UNIT

CU-A34BBP5, CU-A34BBP8, CU-A43BBP8, CU-A50BBP8, CU-C43BBP7,
CU-C34BBP8, CU-C34BBP5, CU-C34BBP7, CU-C43BBP8, CU-C50BBP7, CU-C50BBP8





NO.	PART DESCRIPTION	QTY.	CU-A34BBP5	CU-A34BBP8	CU-A43BBP8	CU-A50BBP8
56	SOUND PROOF MATERIAL	1	-	-	CWG302124	←
57	SOUND PROOF MATERIAL	1	-	-	CWG302122	←
58	SOUND PROOF MATERIAL	1	-	-	CWG302123	←

All parts are supplied from MAICO, Malaysia (Vendor Code: 061)