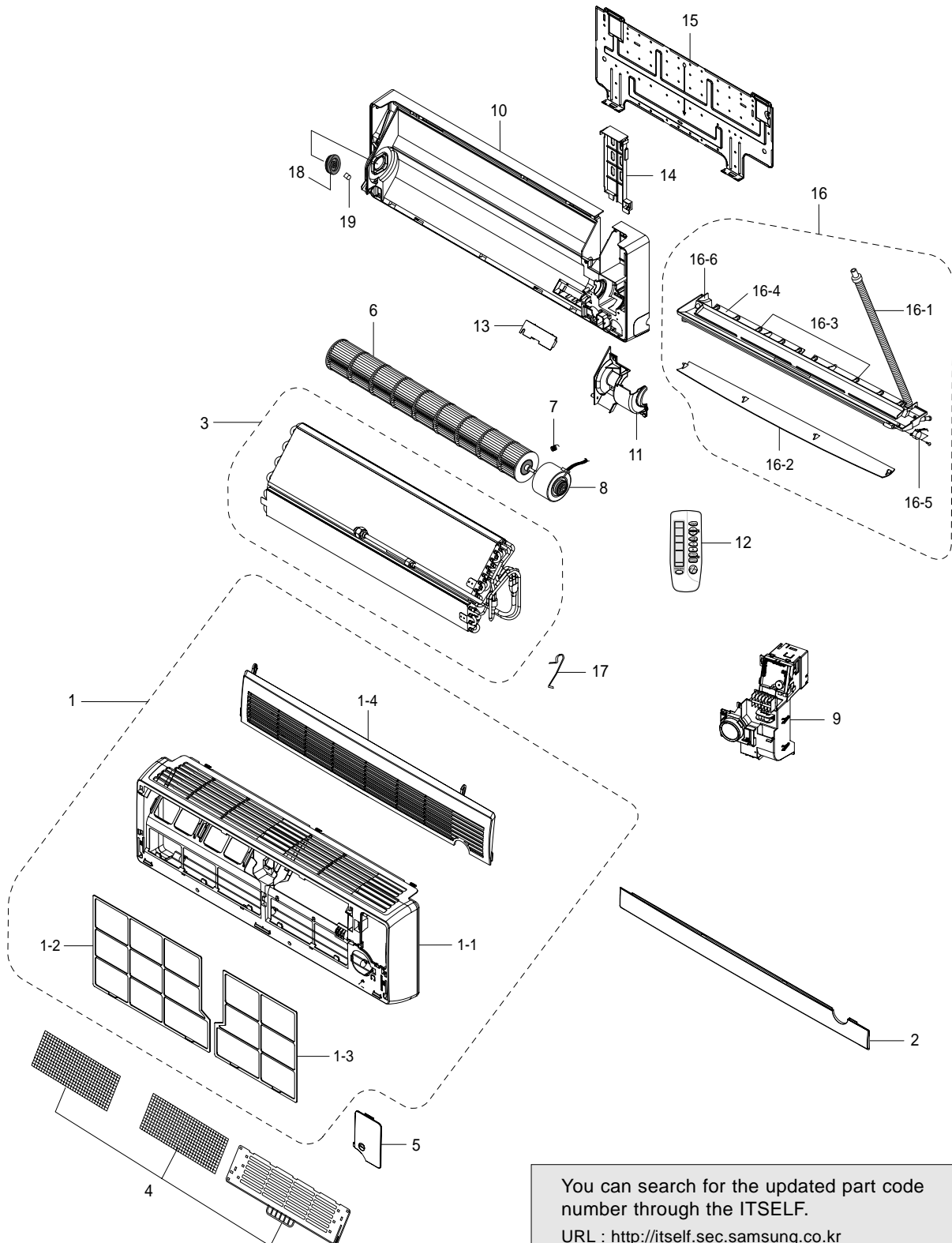


6. Exploded Views and Parts List

6-1 Indoor Unit



You can search for the updated part code number through the ITSELF.

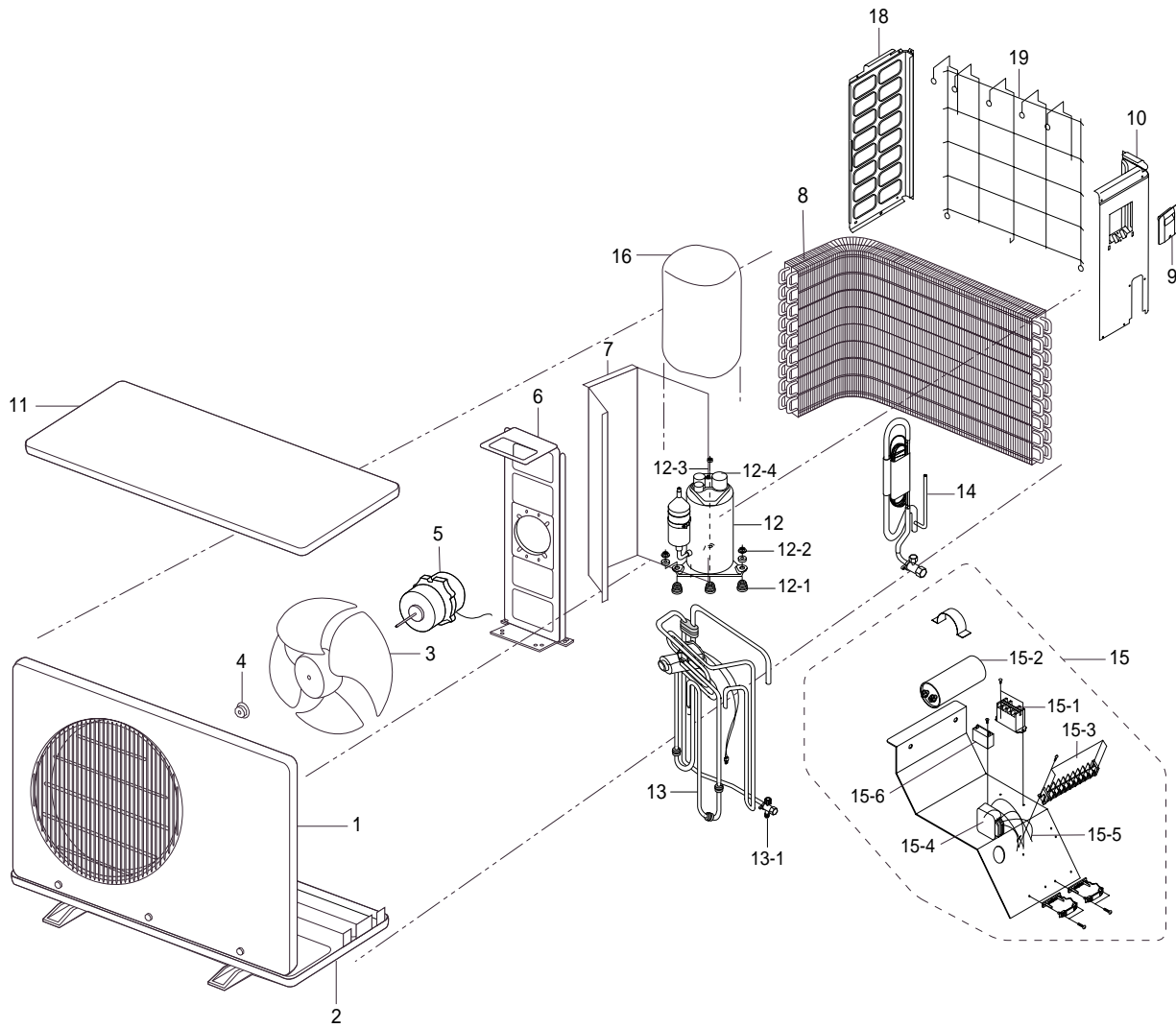
URL : <http://itself.sec.samsung.co.kr>

■ Parts List

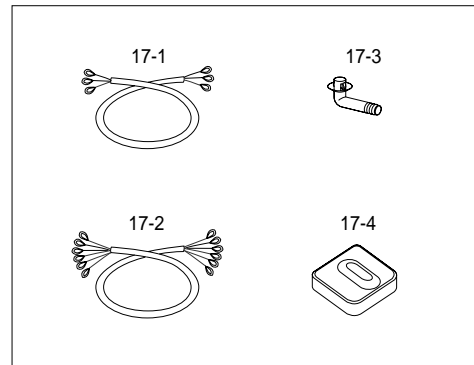
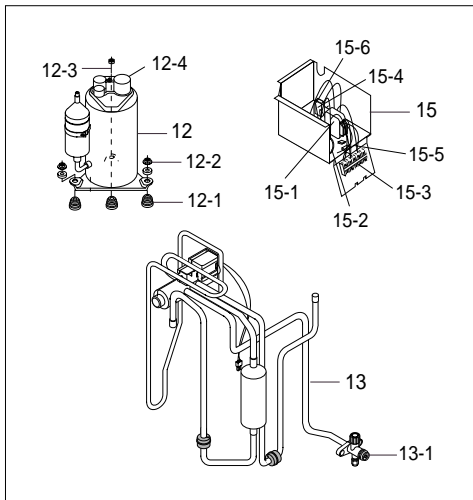
No.	Code No.	Description	Specification	Q'TY		Remark
				18	**24**	
1	DB92-00555A	ASS'Y PANEL FRONT-TOTAL	ASS'Y	1	1	
1-1	DB92-00386A	ASS'Y PANEL FRONT-SUB	ASS'Y	1	1	
1-2	DB63-00596B	FILTER-AIR LF	PP	1	1	
1-3	DB63-00597B	FILTER-AIR RH	PP	1	1	
1-4	DB64-01036A	GRILLE-UP	HIPS	1	1	
2	DB92-00580A	ASS'Y GRILLE-LOW	ASS'Y	1	1	
3	DB96-02345G	ASS'Y EVAP-TOTAL	ASS'Y	1	-	
	DB96-02345E	ASS'Y EVAP-TOTAL	ASS'Y	-	1	
4	DB95-00367E	ASS'Y FILTER BIO	ASS'Y	-	-	
5	DB63-00594A	COVER TERMINAL	HIPS	1	1	
6	DB94-00040J	ASS'Y CROSS FAN	ASS'Y	1	1	
7	DB60-20011A	BOLT SPECIAL	-	1	1	
8	DB31-10151C	MOTOR-FAN IN	-	1	1	
9	DB93-02580A	ASS'Y CONTROL IN	ASS'Y	1	1	
10	DB94-00531A	ASS'Y BACK BODY	ASS'Y	1	1	
11	DB61-01136A	HOLDER-MOTOR	PP	1	1	
12	DB93-01364B	ASS'Y REMOCON	ASS'Y	1	1	
13	DB63-00580A	COVER-IONIZER	HIPS	1	1	
14	DB61-01137A	HOLDER-PIPE	HIPS	1	1	
15	DB70-00295A	PLATE HANGER	SGCC-M	1	1	
16	DB94-00300C	ASS'Y TRAY DRAIN	ASS'Y	1	1	
16-1	DB94-00062B	ASS'Y HOSE DRAIN	ASS'Y	1	1	
16-2	DB61-01141A	BLADE-H	ABS	1	1	
16-3	DB61-01142A	BLADE-V	PP	1	1	
16-4	DB63-00699A	GUARD-SAFETY WIRE	-	1	1	
16-5	DB31-10154A	MOTOR STEP	-	1	1	
16-6	DB63-00598A	TRAY DRAIN	HIPS	1	1	
17	DB67-60030A	SPRING SENSOR	-	1	1	
18	DB73-00128A	RUBBER BEARING	-	1	1	
19	DB94-40007A	BEARING MOTOR	-	1	1	

6-2 Outdoor Unit

■ 18K BTU



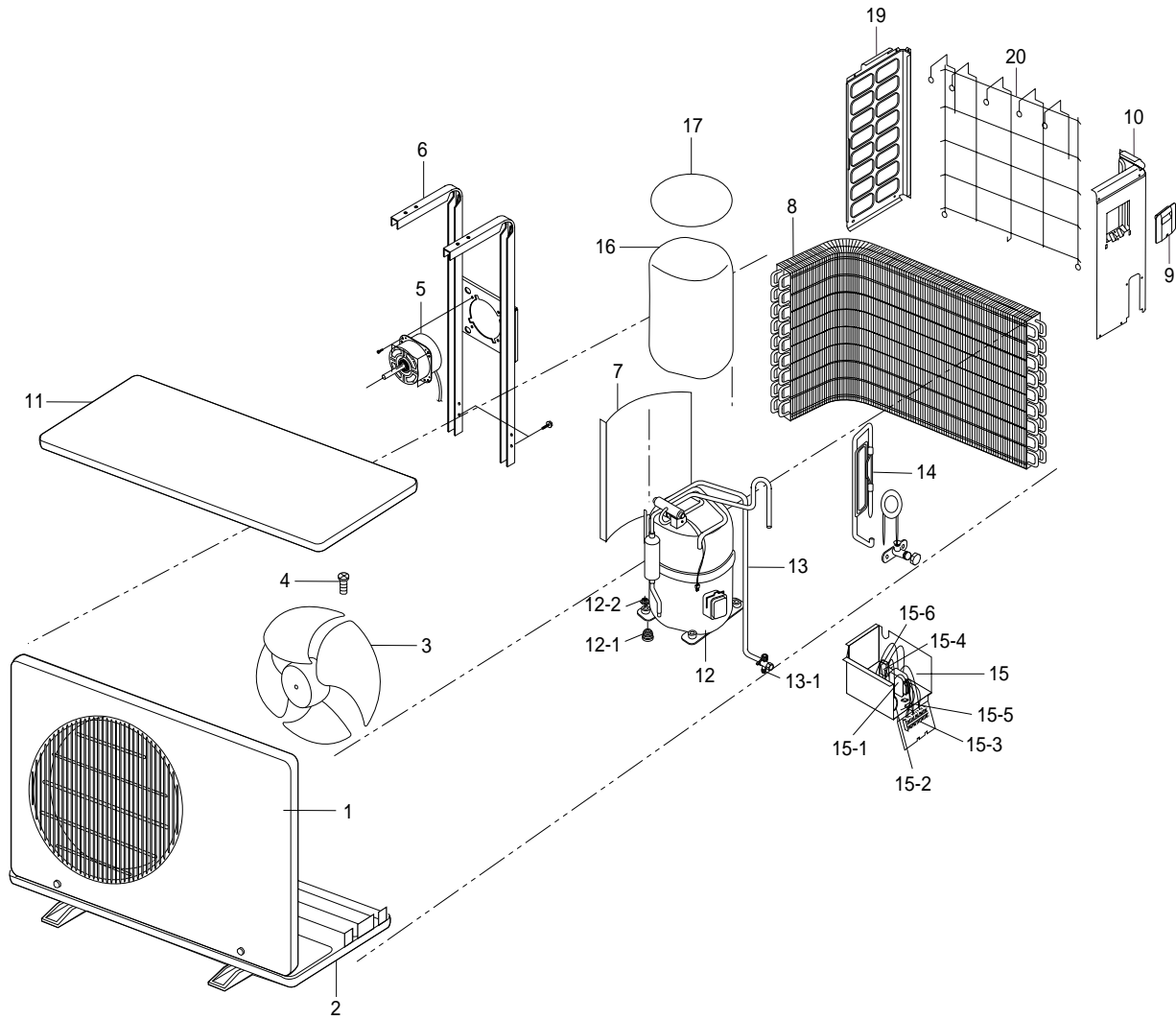
•UQT18**



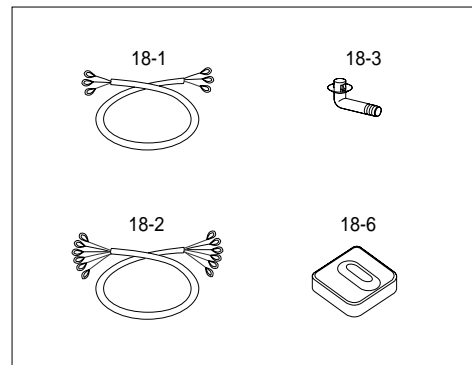
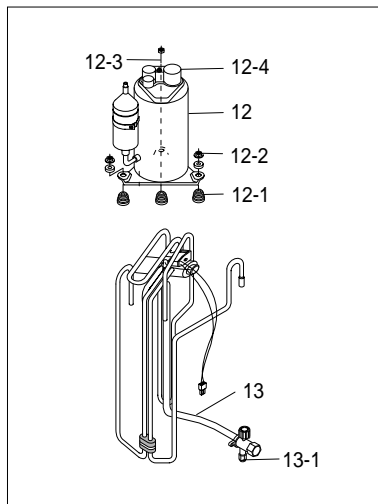
■ Parts List

No.	Code No.	Description	Specification	Q'TY				
				SH18ZS0AX	UQT18S0GBA	UQT18S0GEA	UQ18S0GBA	UQ18S0GEA
1	DB90-00653S	ASS'Y CABI-FRONT	ASS'Y	1	-	-	-	1
	DB90-00653V	ASS'Y CABI-FRONT	ASS'Y	-	1	-	-	-
	DB90-00653R	ASS'Y CABI-FRONT	ASS'Y	-	-	1	1	-
2	DB90-01335A	ASS'Y-BASE OUT	ASS'Y	1	1	1	1	1
3	DB67-50063A	FAN-PROPELLER	AS+G/F20%	1	1	1	1	1
4	DB60-30020A	NUT-FLANGE	M6,CCW	1	1	1	1	1
5	DB31-00056C	MOTOR FAN OUT	ASS-030AVEB	1	-	-	-	1
	DB31-00056D	MOTOR FAN OUT	ASS-030ZTEC	-	1	-	1	-
	DB31-00056E	MOTOR FAN OUT	IC-9430SLJ5B	-	-	1	-	-
6	DB61-20008C	BASE-MOTOR	SGCC-M	1	1	1	1	1
7	DB94-00165C	ASS'Y PARTITION	ASS'Y	1	-	-	-	1
	DB94-50034F	ASS'Y PARTITION	ASS'Y	-	1	1	-	-
	DB94-00165A	ASS'Y PARTITION	ASS'Y	-	-	-	1	-
8	DB96-01524B	ASS'Y COND-UNIT	ASS'Y	1	-	-	1	1
	DB96-01352A	ASS'Y COND-UNIT	ASS'Y	-	1	1	-	-
9	DB90-40176B	ASS'Y-COVER CONTROL	ASS'Y	1	1	1	1	1
10	DB90-01348A	ASS'Y-CABI RH	ASS'Y	1	1	1	1	1
11	DB90-10613F	ASS'Y CABI-UP	ASS'Y	1	1	1	-	1
	DB90-10613E	ASS'Y CABI-UP	ASS'Y	-	-	-	1	-
12	48B180JV2EH	COMPRESSOR	ROTRAY	1	-	-	-	1
	55A200IT1EM	COMPRESSOR	ROTARY	-	1	-	-	-
	55A200JT1EM	COMPRESSOR	ROTARY	-	-	1	-	-
	48D190IU1EH	COMPRESSOR	ROTARY	-	-	-	1	-
12-1	DB73-00067A	GROMMET ISOLATOR	NR	3	-	-	-	3
	DB73-00082A	GROMMET ISOLATOR	NR	-	3	3	3	-
12-2	DB60-30028A	NUT-WASHER	M8	3	3	3	3	3
12-3	DB60-30018A	NUT-FLANGE	M5	1	1	1	1	1
12-4	DB63-10165D	COVER-TERMINAL	NOTYL	1	1	1	1	1
13	DB99-00433A	ASS'Y VALVE 4WAY	ASS'Y	1	-	-	-	1
	DB99-00469B	ASS'Y VALVE 4WAY	ASS'Y	-	1	-	-	-
	DB99-00469A	ASS'Y VALVE 4WAY	ASS'Y	-	-	1	1	-
13-1	DB62-01396A	VALVE SERVICE	1/2"	1	1	1	1	1
14	DB99-00392B	ASS'Y VALVE CHECK	ASS'Y	1	-	-	-	1
	DB99-00435B	ASS'Y VALVE CHECK	ASS'Y	-	1	-	-	-
	DB99-00435A	ASS'Y VALVE CHECK	ASS'Y	-	-	1	-	-
	DB99-00435C	ASS'Y VALVE CHECK	ASS'Y	-	-	-	1	-
15	DB93-00673A	ASS'Y-CONTROL OUT	ASS'Y	1	-	-	1	1
	DB93-01757A	ASS'Y-CONTROL OUT	ASS'Y	-	1	1	-	-
15-1	3501-001184	RELAY-POWER	30mS	1	1	1	1	1
15-2	2501-001238	CAPACITOR	40uF/450VAC	1	-	-	1	1
	2501-001239	CAPACITOR	45uF/450VAC	-	1	1	-	-
15-3	DB65-00040A	TERMINAL BLOCK	8P	1	1	1	1	1
15-4	DB95-90026B	SPARK KILLER	ASS'Y	1	1	1	1	1
15-5	3601-000236	FUSE	2A,250V	1	1	1	1	1
15-6	2301-001370	MOTOR CAPACITOR	2.5uF/450VAC	1	1	1	1	1
16	DB62-02530A	CLOTH SOUND	FELT	1	-	-	-	1
	DB72-00681A	CLOTH SOUND	FELT	-	1	1	-	-
	DB72-50537A	CLOTH SOUND	FELT	-	-	-	1	-
17-1	DB39-20546E	CONNECT WIRE-POWER	-	-	1	-	1	-
	DB39-20546B	CONNECT WIRE-POWER	-	1	-	1	-	1
17-2	DB39-00171A	CONNECT WIRE-ASS'Y	-	-	1	-	1	-
	DB39-00171B	CONNECT WIRE-ASS'Y	-	1	-	1	-	1
17-3	DB67-20011A	DRAIN PLUG OUT	PP	1	-	-	-	-
17-4	DB73-00179A	RUBBER-LEG	NR	4	-	-	-	-
18	DB90-01349A	ASS'Y-CABI LF	SC-90073T	1	1	1	1	1
19	DB71-00087A	BAR-STEEL	HSWR	1	1	1	1	1

■ 24K BTU



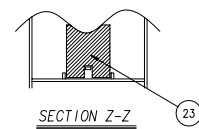
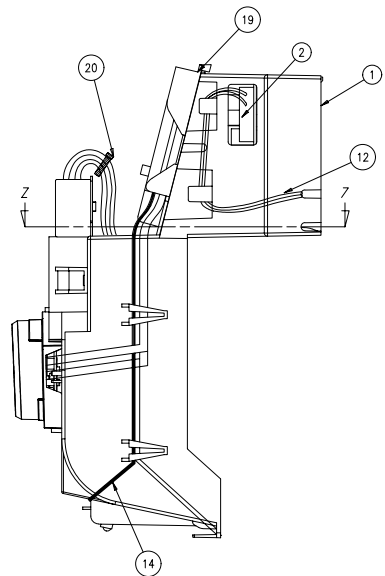
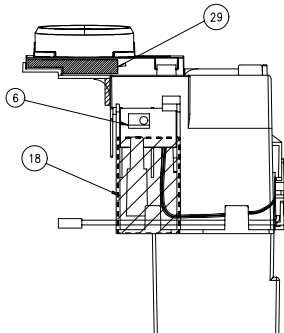
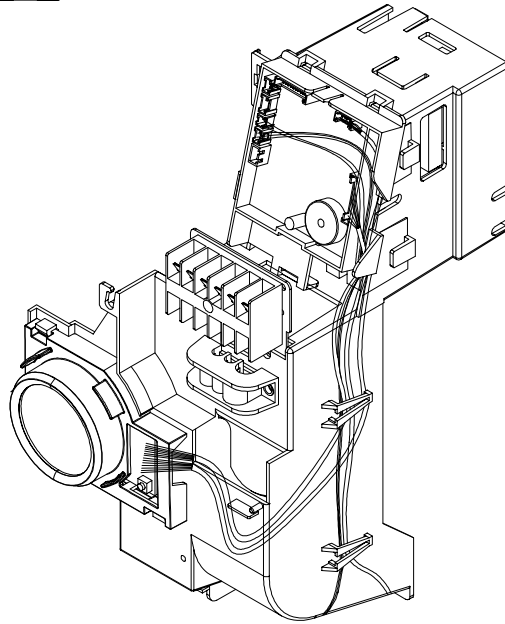
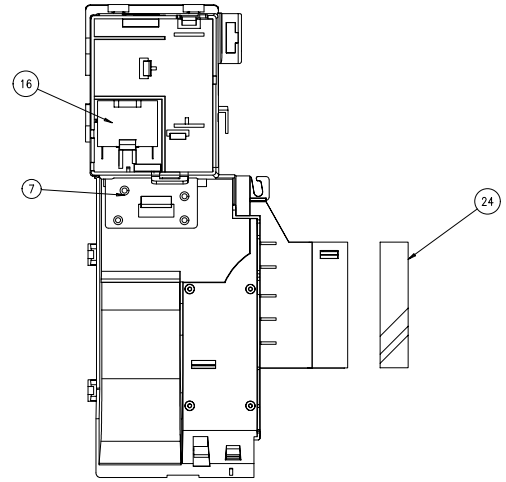
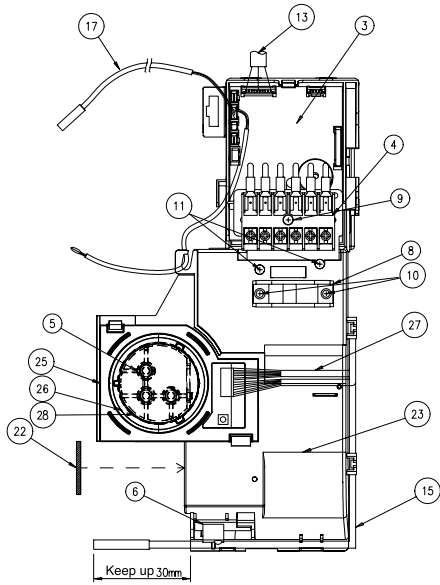
•JQ24S6GBA



■ Parts List

No.	Code No.	Description	Specification	Q'TY			
				SH24ZS6AX UQ24S6GEA	UQT24S6GBA	UQT24S6GEA	UQ24S6GBA
1	DB90-01364A	ASS'Y CABI-FRONT	ASS'Y	1	1	-	1
	DB90-01364B	ASS'Y CABI-FRONT	ASS'Y	-	-	1	-
2	DB90-01336C	ASS'Y BASE OUT	ASS'Y	-	-	1	-
	DB90-01336D	ASS'Y BASE OUT	ASS'Y	-	1	-	-
	DB90-01336A	ASS'Y BASE OUT	ASS'Y	1	-	-	1
3	DB67-50074A	FAN-PROPELLER	AS+G/F20%	1	1	1	1
4	DB60-20020A	BOLT SPECIAL	M8 L25	1	1	1	1
5	DB31-00027E	MOTOR FAN OUT	OSME-906SRC	1	-	1	-
	DB31-00027F	MOTOR FAN OUT	OSM-906SRC	-	1	-	1
6	DB95-20147A	ASS'Y-MOTOR B/K	ASS'Y	1	1	1	1
7	DB94-00080A	ASS'Y PARTITION	ASS'Y	1	-	-	1
	DB94-00080C	ASS'Y PARTITION	ASS'Y	1	-	1	-
	DB94-50039G	ASS'Y PARTITION	ASS'Y	-	1	-	-
8	DB96-03337A	ASS'Y COND-UNIT	ASS'Y	1	-	1	1
	DB96-01353A	ASS'Y COND-UNIT	ASS'Y	-	1	-	-
9	DB90-40176B	ASS'Y-COVER CONTROL	ASS'Y	1	1	1	1
10	DB90-01350A	CABINET-SIDE RH	SC-90073T	1	1	1	1
11	DB90-10616D	ASS'Y-CABI UPPER	ASS'Y	-	1	1	1
	DB90-10616K	ASS'Y-CABI UPPER	ASS'Y	1	-	-	-
12	55B270JU1EM	COMPRESSOR	ROTARY	1	-	-	-
	DB95-10351E	COMPRESSOR	AWG5528EXN	-	1	-	-
	55A260IU2EM	COMPRESSOR	ROTARY	-	-	-	1
	DB95-00343A	COMPRESSOR	H23B303ABK	-	-	1	-
12-1	DB73-10008A	GROMMET-MOUNT	EPDM	-	4	4	-
	DB73-00082A	GROMMET-MOUNT	EPDM	3	-	-	3
12-2	DB60-30028A	NUT-WASHER	M8	3	4	4	3
12-3	DB60-30018A	NUT-FLANGE	M5	1	-	-	1
12-4	DB63-10165D	COVER-TERMINAL	NOTYL	1	-	-	1
13	DB99-00434A	ASS'Y-4WAY V/V	ASS'Y	1	-	-	-
	DB99-00471A	ASS'Y-4WAY V/V	ASS'Y	-	1	-	1
	DB99-00470A	ASS'Y-4WAY V/V	ASS'Y	-	-	1	-
13-1	DB62-02594A	VALVE SERVICE	5/8"	1	1	1	1
14	DB99-00393C	ASS'Y VALVE CHECK	ASS'Y	-	-	1	1
	DB99-00436A	ASS'Y VALVE CHECK	ASS'Y	-	1	-	-
	DB99-00393B	ASS'Y VALVE CHECK	ASS'Y	1	-	-	-
15	DB93-01846A	ASS'Y CONTROL OUT	ASS'Y	-	-	1	-
	DB93-00679F	ASS'Y CONTROL OUT	ASS'Y	-	1	-	-
	DB93-01162D	ASS'Y CONTROL OUT	ASS'Y	-	-	-	1
	DB93-02602A	ASS'Y CONTROL OUT	ASS'Y	1	-	-	-
15-1	3501-001200	RELAY-POWER	7-22MS	-	-	1	-
	3501-001199	RELAY-POWER	-	-	1	-	-
	3501-001184	RELAY-POWER	-	-	-	-	1
	DB34-90054A	RELAY-POWER	-	1	-	-	-
15-2	2501-001239	CAPACITOR	45uF/450VAC	-	-	1	-
	2501-001237	CAPACITOR	35uF/450VAC	-	1	-	-
	2501-001240	CAPACITOR	50uF/450VAC	1	-	-	1
15-3	DB65-00040A	TERMINAL BLOCK	8P	1	1	1	1
15-4	DB95-90026B	SPARK KILLER	-	1	1	1	1
15-5	3601-000236	FUSE	2A,250V	1	1	1	1
15-6	2301-001379	C-FILM, MPE-PPF	4uF/450VAC	1	1	1	1
16	DB62-01330A	CLOTH-COMP SOUND	FELT	-	-	1	-
	DB72-50622A	CLOTH-COMP SOUND	FELT	-	1	-	-
	DB72-00703A	CLOTH-COMP SOUND	FELT	-	-	-	1
	DB72-00681A	CLOTH-COMP SOUND	FELT	1	-	-	-
17	DB72-50614A	CLOTH-COMP UP	FELT	-	1	-	-
	DB72-00702A	CLOTH-COMP UP	FELT	-	-	-	1
18-1	DB39-20546E	CONNECT WIRE-POWER	-	-	1	-	1
	DB39-20546B	CONNECT WIRE-POWER	-	1	-	1	-
18-2	DB39-00171A	CONNECT WIRE-ASS'Y	-	-	1	-	1
	DB39-00171B	CONNECT WIRE-ASS'Y	-	1	-	1	-
18-3	DB67-20011A	DRAIN PLUG OUT	PP	1	-	-	-
18-4	DB73-00179A	RUBBER-LEG	NR	4	-	-	-
19	DB90-01351A	CABINET-SIDE LF	SC-90073T	1	1	1	1
20	DB71-00088A	BAR-STEEL	HSWR	1	-	1	1
	DB71-00088B	BAR-STEEL	HSWR	-	1	-	-

6-3 Ass'y Control In (Indoor Unit) : DB93-02580A



■ Parts List

No.	Code No.	Description	Specification	Q'TY		Remark
				18	**24**	
1	DB61-01143A	CASE-CONTROL AC	ABS	1	1	
2	DB93-02592C	ASS'Y MAIN PCB(AC)	ASS'Y	1	1	
3	DB93-01325E	ASS'Y MAIN PCB(DC)	ASS'Y	1	1	
4	DB65-00096A	ASS'Y TERMINAL BLOCK	ASS'Y	1	1	
5	DB93-02525B	ASS'Y S/W & DISPLAY PCB	ASS'Y	1	1	
6	DB93-01369B	ASS'Y MODULE PCB	ASS'Y	1	1	
7	DB70-00277A	PLATE TERMINAL LOW	SGCC-M T1.2	1	1	
8	DB61-00171A	HOLDER WIRE CLAMP	ABS	1	1	
9	6001-000929	SCREW MACHINE	PH M3xL22	1	1	
10	6001-000725	SCREW MACHINE	TH M4xL16	-	-	OPTION
11	6001-001054	SCREW MACHINE	TH M4xL10	1	1	
12	DB93-01386A	ASS'Y C/W MOTOR CAPACITOR	ASS'Y	1	1	
13	DB93-01384A	ASS'Y C/W AC/DC CONNECTION	ASS'Y	1	1	
14	DB93-01380A	ASS'Y C/W MODULE PCB	ASS'Y	1	1	
15	DB93-01543A	C/W STEP MOTOR UP/DOWN	ASS'Y	1	1	
16	2301-001371	CAPACITOR	2.0μF, 450VAC	1	1	
17	DB32-00020H	ASS'Y THERMISTOR	4P(103AT)	1	1	
18	DB62-01368X	SEAL	61x40x3,30FOAM-PE,GRAY	1	1	
19	DB61-01106A	CASE CONTROL(DC)	HIPS V0	1	1	
20	6501-000123	CABLE TIE	DA-140	1	1	
21	-	POWER CORD	-	-	-	
22	DB62-01838L	SEAL CASE CONTROL	FLOCKED,BLK,T1x45x22	1	1	
23	DB62-02015A	SEAL CASE CONTROL IN	FOAM-PE	1	1	
24	DB62-01838Y	SEAL CASE CONTROL	FLOCKED,BLK,T1x77x20	1	1	
25	DB61-01686A	HOLDER DISPLAY	ABS	1	1	
26	DB61-01687A	HOLDER PCB	ABS	1	1	
27	DB64-01108A	WINDOW DISPLAY	PC	1	1	
28	DB39-00966A	CONNECTOR WIRE DISPLAY	WIRE	1	1	
29	DB62-02366B	SEAL-DISPLAY LOW	FLOCKED,T1x70x60	1	1	