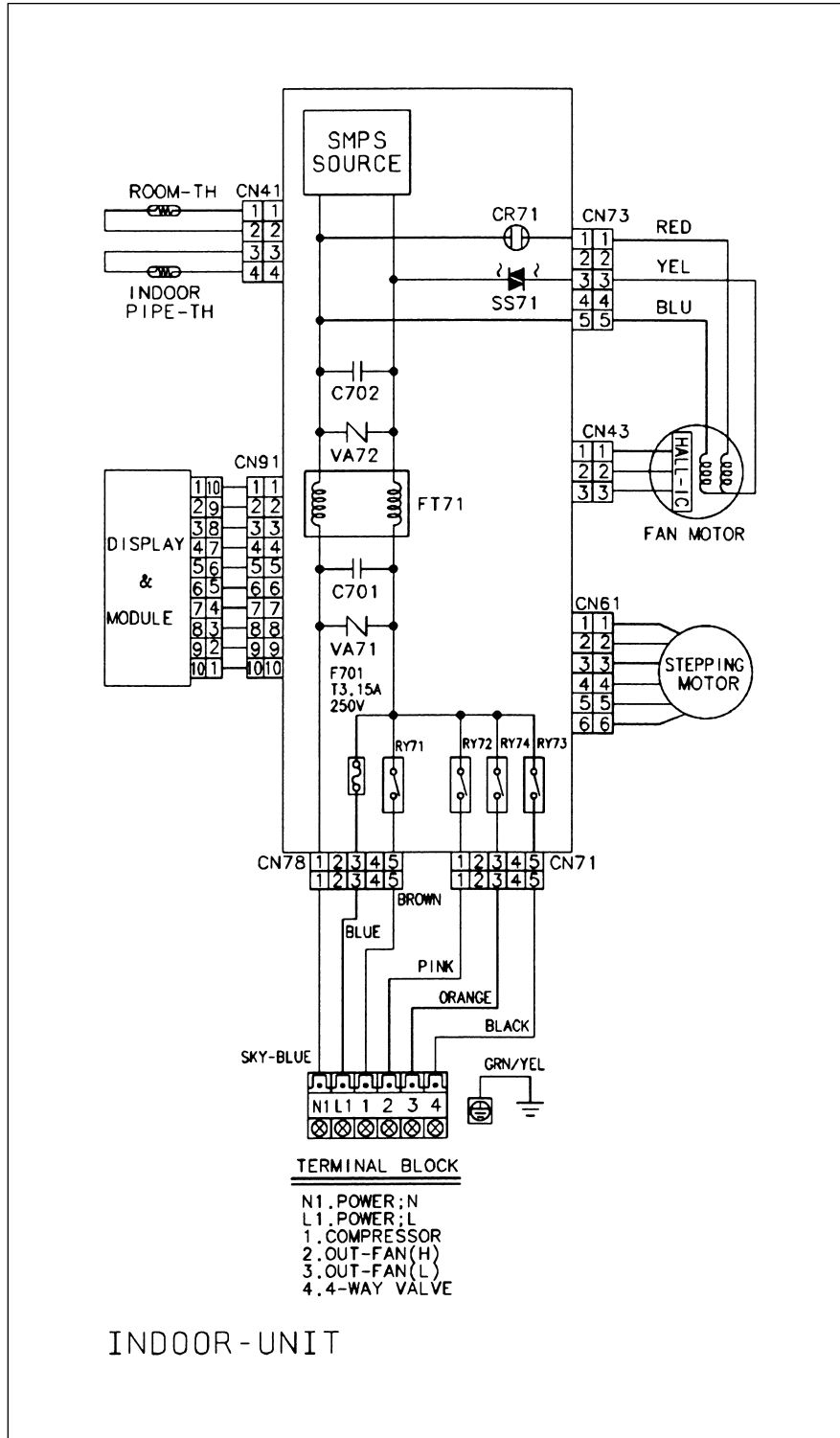


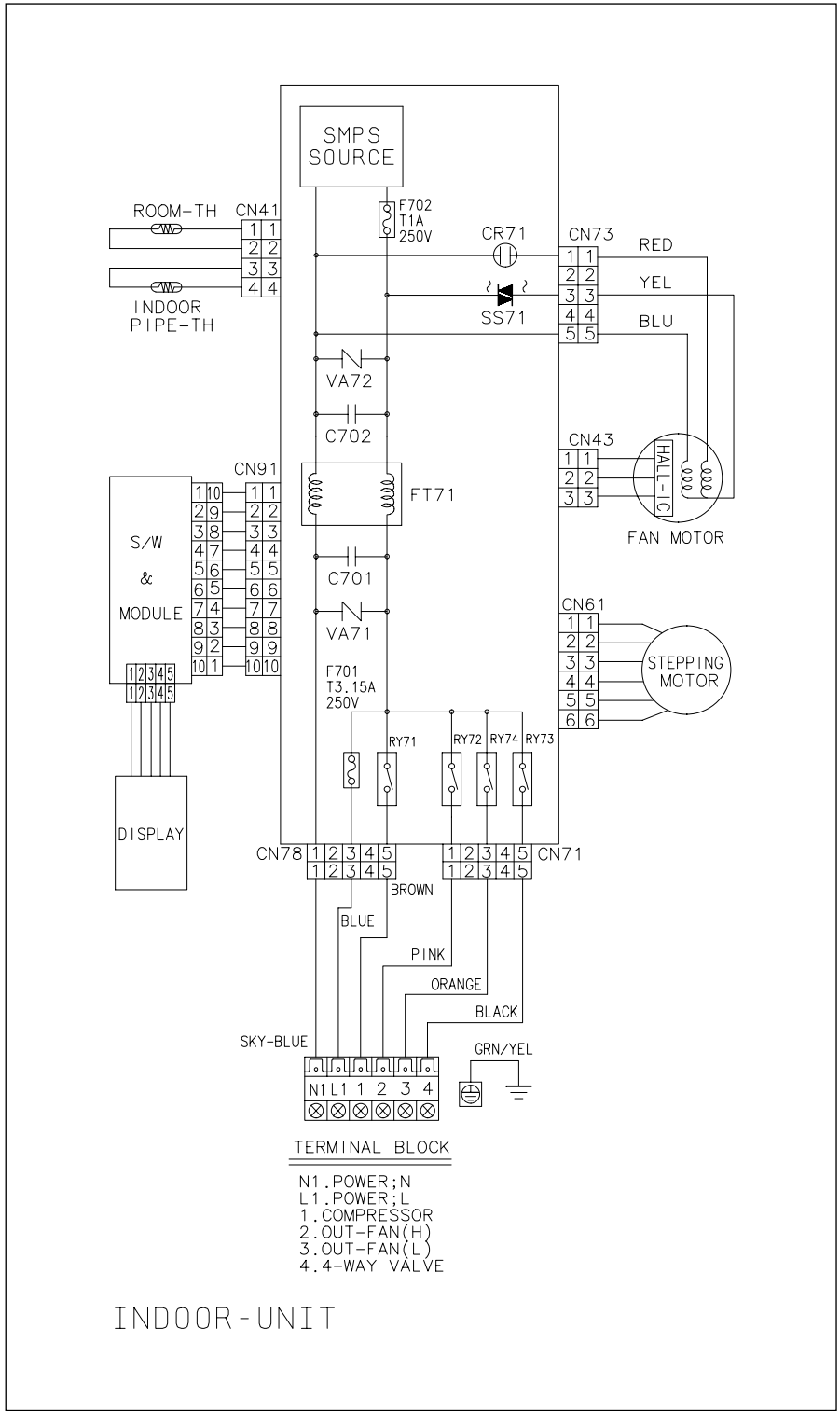
9. Wiring Diagrams

9-1 Indoor Unit

■ ALL MODEL EXCEPT *****C***

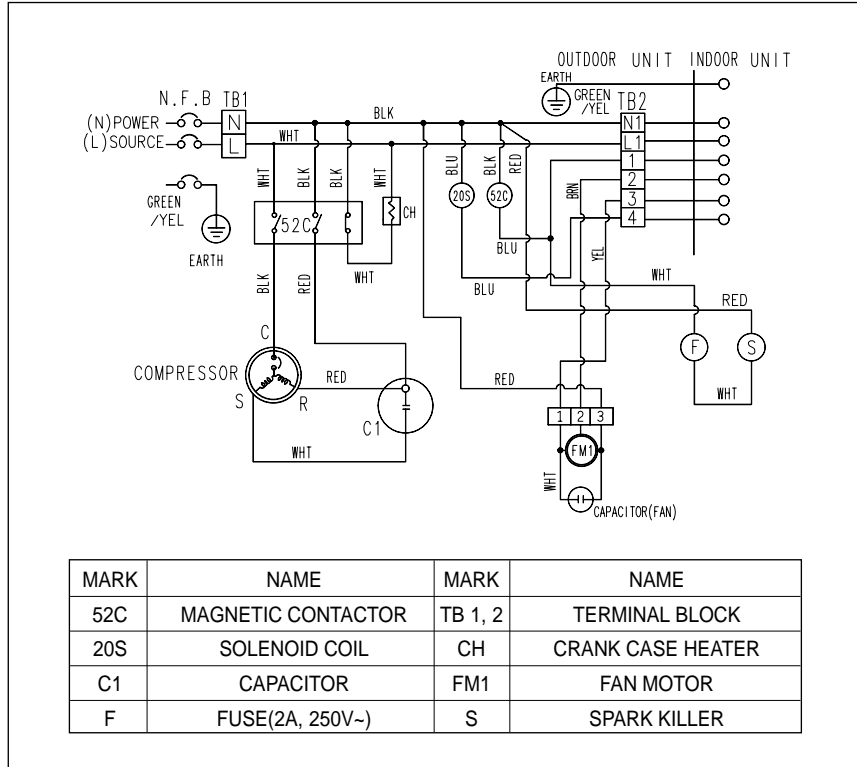


■ *****C***

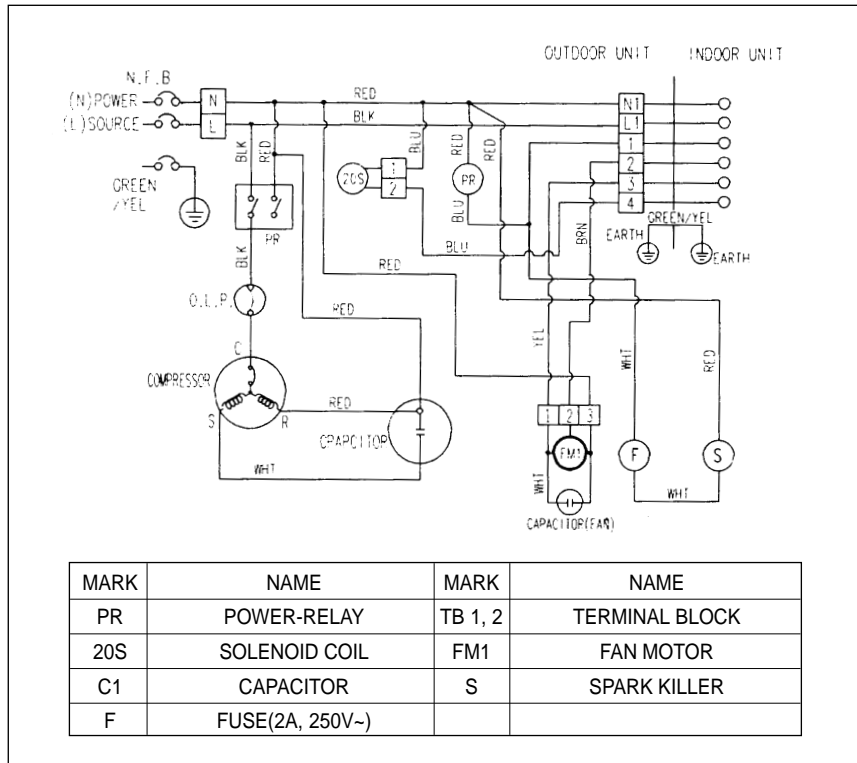


9-2 Outdoor Unit

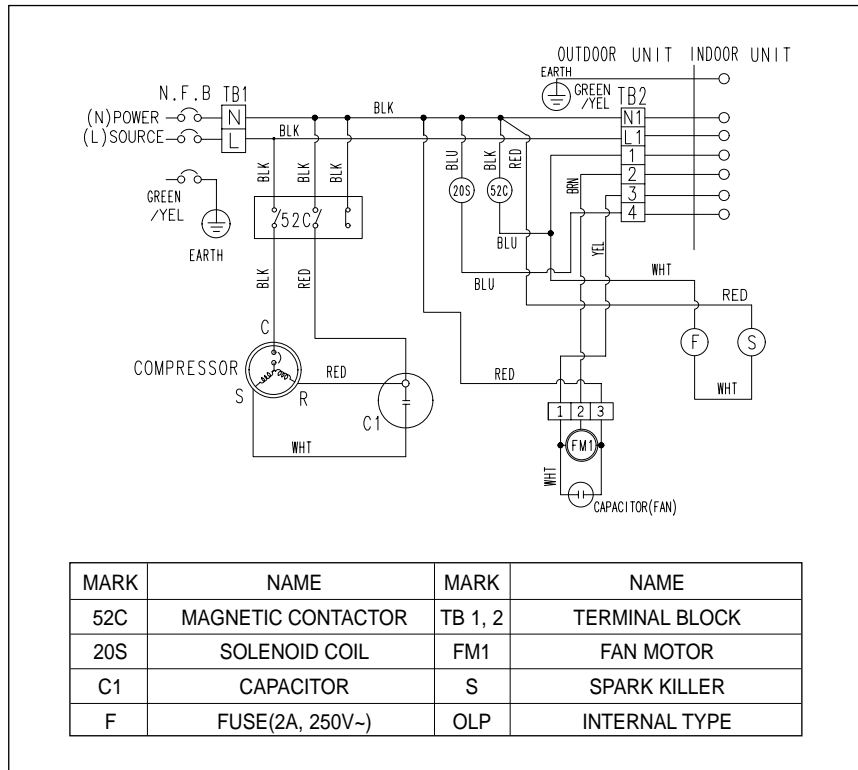
■ UQT24A(B)5(6)RE/B, UQT18A(B)9(0)RE/B, SH24A(B)5X, UQT18C0REF UQT24A(B)5(6)RED, SH24TA(B)6DX, UQT24C5(6)RE/B, UQT18C9(0)RE/B



■ UQ18A(B)9(0)RE, SH18ZA(B)9X UQ18A(B)9(0)RED, SH18ZA(B)0DX, UQ18A(B)9(0)RBD



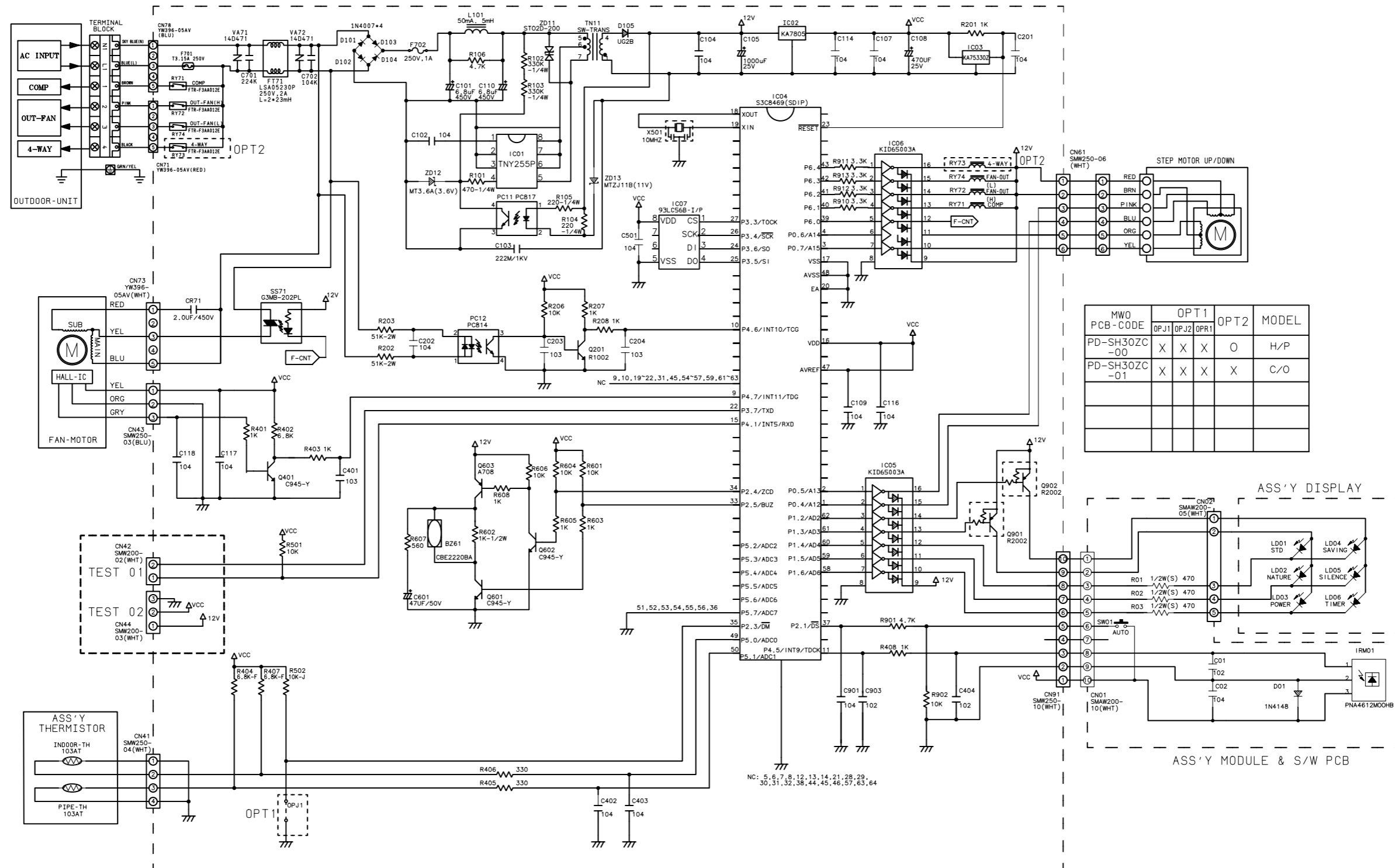
■ UQ24A(B)5(6)RBD



MEMO

10. Schematic Diagrams

10-1 Indoor Unit



MWO PCB-CODE	OPT1			OPT2	MODEL
	OPJ1	OPJ2	OPR1		
PD-SH30ZC-00	X	X	X	O	H/P
PD-SH30ZC-01	X	X	X	X	C/O

MEMO

