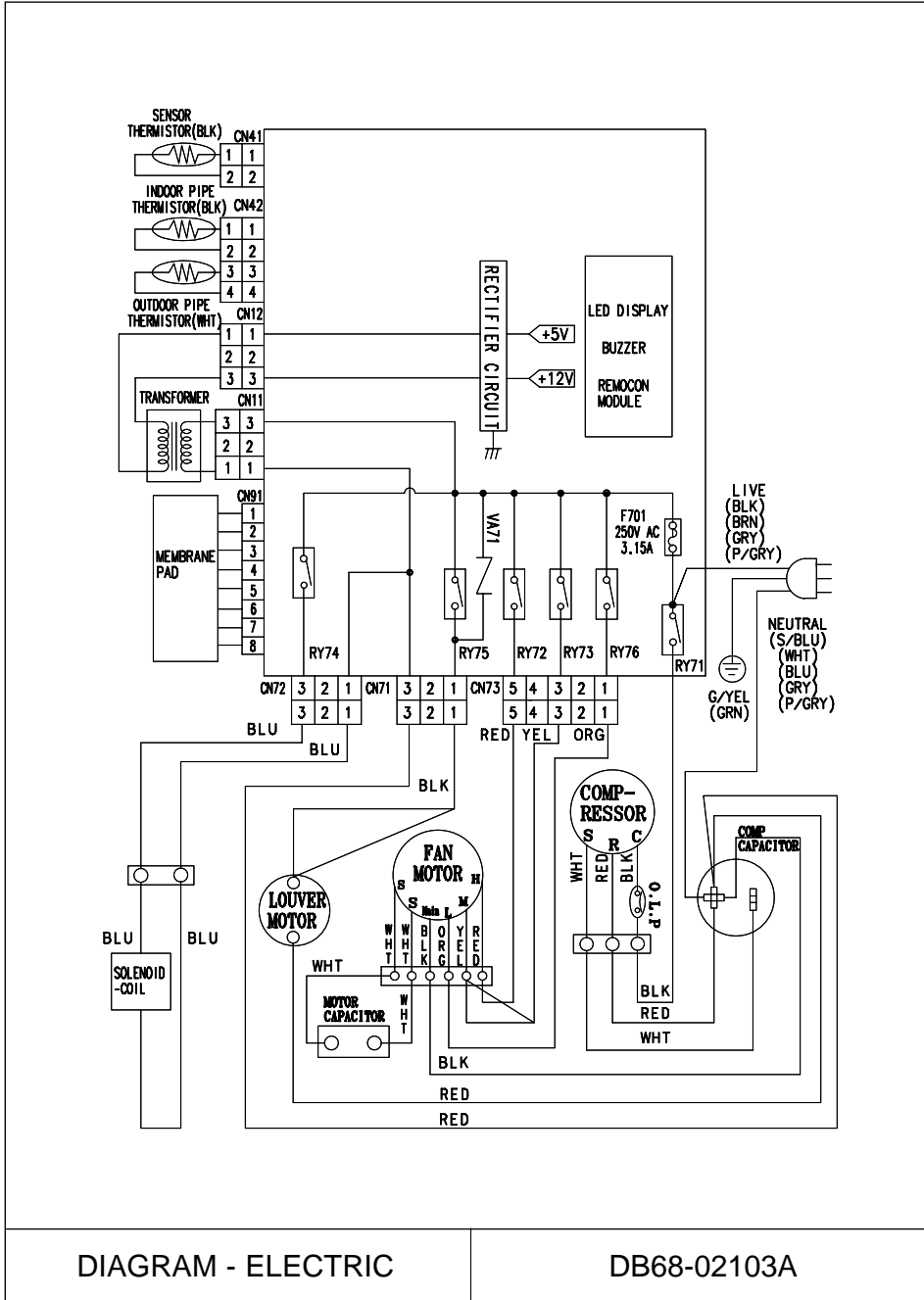


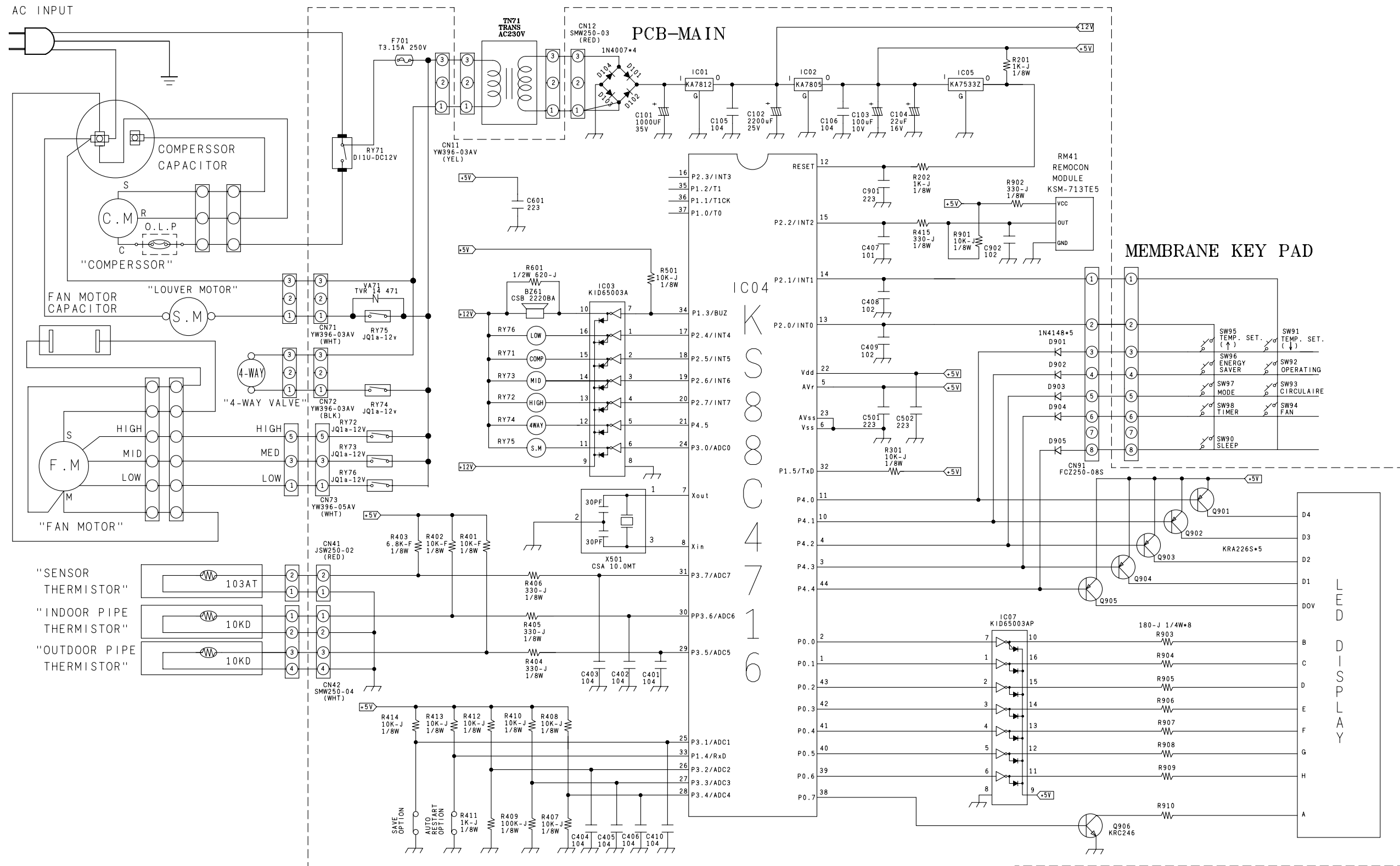
9. Wiring Diagram

9-1 AZ12FAJEA / AZ12AAJEA / AZ18FAMEA / AZ18AAJEA

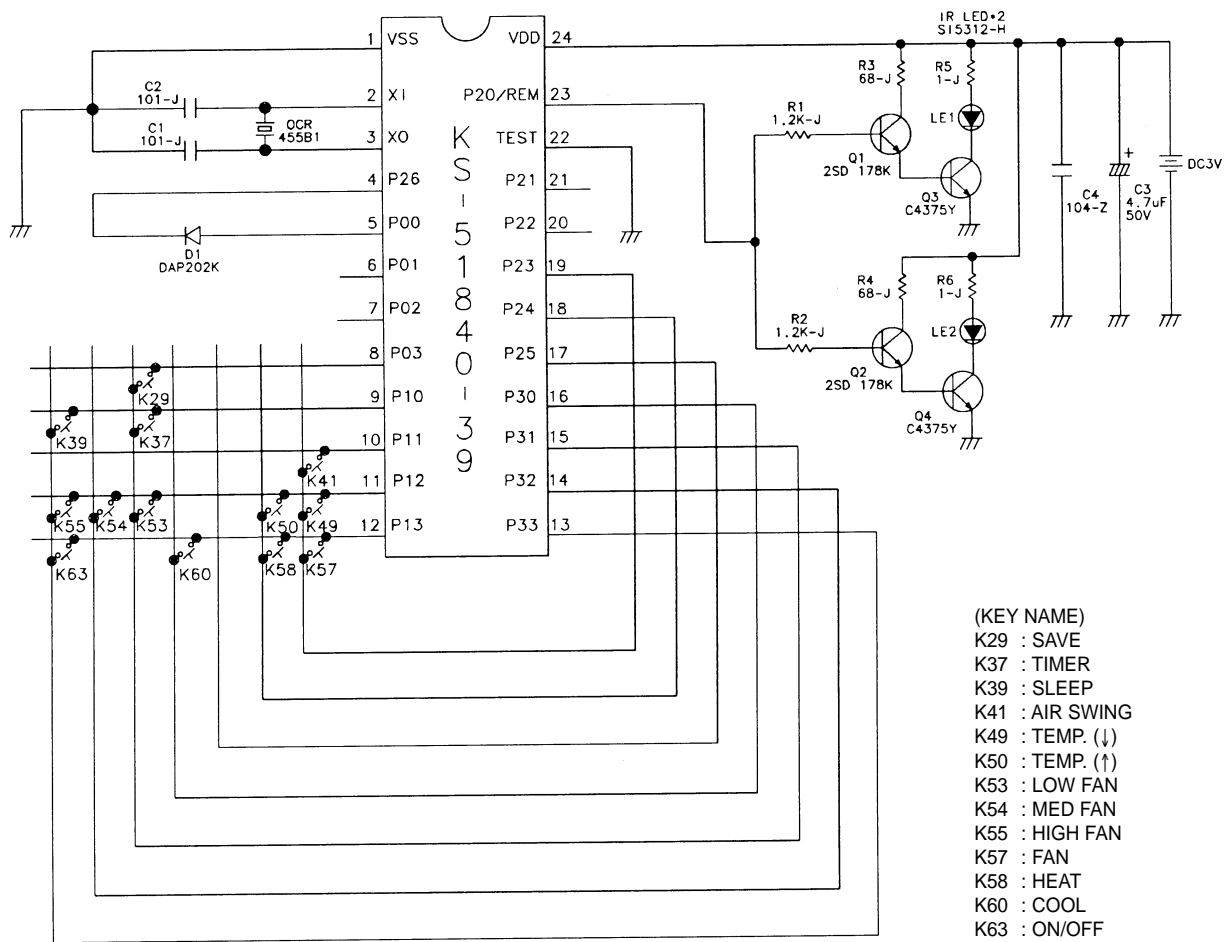


10. Schematic Diagrams

10-1 Main PCB



10-3 Remote Control



UPDATE LOG SHEET

Application date	Page	Part#	Note(Cause & Solution)	S/Bulletin#

Use this page to keep any special servicing information. (Service Bulletin, etc.)
If only parts number changes, Just change parts number directly on parts list.
And if you need more information, please see the service website.

Itself Solution Integrated technology supporting electronic library
<http://itself.sec.samsung.co.kr>

Copyright © 2003
By Samsung Electronics Co., Ltd.
All rights reserved.
This manual may not, in whole or in part, be
copied, photocopied, reproduced, translated, or
converted to any electronic or machine readable
form without prior written permission of
Samsung Electronics Co., Ltd.

Printed in China.

