

## 2. Product Specifications

### 2-1 Table

Item		Model		SC30ZC1(C2)		Remarks	
				Cooling only			
Power Source				220-240V, 50Hz			
Performance	Capacity (ISO/SASO)	KW		8.7			
		BTU/h		30,000			
	Air circulation (High)		m <sup>2</sup> /min	20			
	Moisture removal (High)		Liters/h	30			
Electrical Rating	Available voltage range		V	198 ~ 264			
	Running amperes		A	16			
	Power input		kw	3.2			
	Power factor		%	86.7			
	Energy efficiency ratio		BTU/wh	9.2			
	Compressor locked rotor amperes		A	90			
Features	Controls/Temperature control			Microprocessor / IC, Thermistor			
	Control unit			Wireless remote control			
	Timer			24-Hour ON or OFF			
	Fan speed		Indoor/Outdoor	3 Steps and Turbo / 2 Step			
	Airflow direction (indoor)		Horizontal	Manual			
			Vertical	Auto			
	Compressor			Reciprocating (Bristol)			
	Refrigerant/Amount charged at rating		g	R22 / 2100g			
	Refrigerant control			Capillary tube			
	Operation sound		Indoor High/Mid/Low	dB-A	48 / 46 / 44		
			Outdoor-High	dB-A	58		
	Refrigerant tubing connections			Flare type			
	Max. allowable tubing length		m	20			
	Refrigerant tube diameter		Narrow tube	(in.)	6.35 (1.4")		
Wide tube			(in.)	15.88 (5/8")			
Dimensions & Weight	Refrigerant tube kit/Accessories			Optional / Hanger-plate			
				Indoor unit	Outdoor		
	Unit dimensions	Height	mm	345	890		
		Width	mm	1,279	880		
		Depth	mm	229	310		
	Package dimensions	Height	mm	417	943		
		Width	mm	1,352	1,023		
		Depth	mm	313	413		
	Weight	Net	kg	20	86.5		
Shipping		kg	24	94.5			

## 2-2 Major Component specifications

### ■ Indoor unit

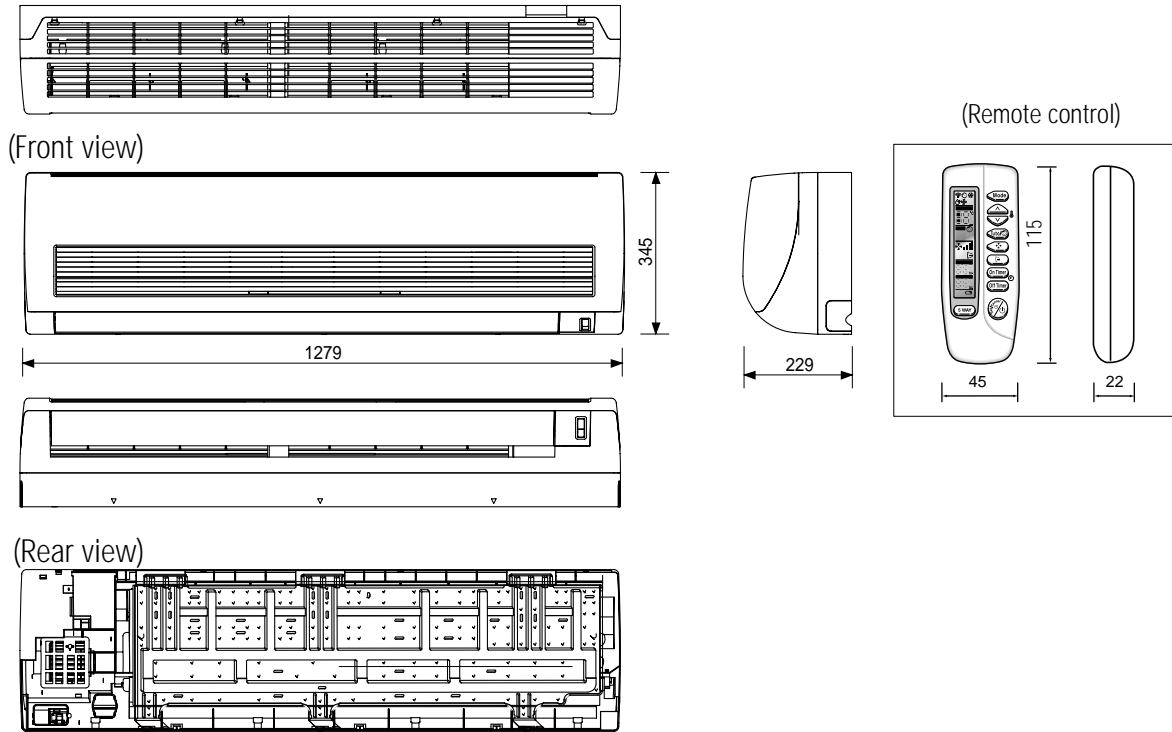
Model		SC30ZC1(C2)	Remarks	
PCB	Part No.	PD-SH30ZC-01		
	Controls	Microprocessor		
	Control circuit fuse	250V, 3.15A		
Ran & Fan Motor	Type	Cross-Flow		
	Dia. and length	mm		ø107 / L=485, 2EA
	Fan motor model	IC-9440 SKJ5A		
	Pols,rpm(at 240V)	4P, 1300 RPM		
	Normal out	W		40W
	Coil resistance (Ambient temp.20°C)	Ω		94.5 ± 10%
				84.5 ± 10%
	Safety devices	Type		17AM034A5
Operating temp.   open		°C		135 ± 5°C
Run capacitor	μF x VAC	2.0μF x 450VAC		
S-Motor	Type	PM-TYPE		
	Model	PM35(4028)		
	Rating	DC 12V		
	Coil resistance (Ambient temp. 25°C)	1/2	150Ω ± 7%	
Heat Exch.	Coil	AL-FIN / Copper tube		
	Rows x Steps	2 x 12		
	Fin pitch	1.5		
	Face area	m <sup>2</sup>	0.315	

### ■ Outdoor unit

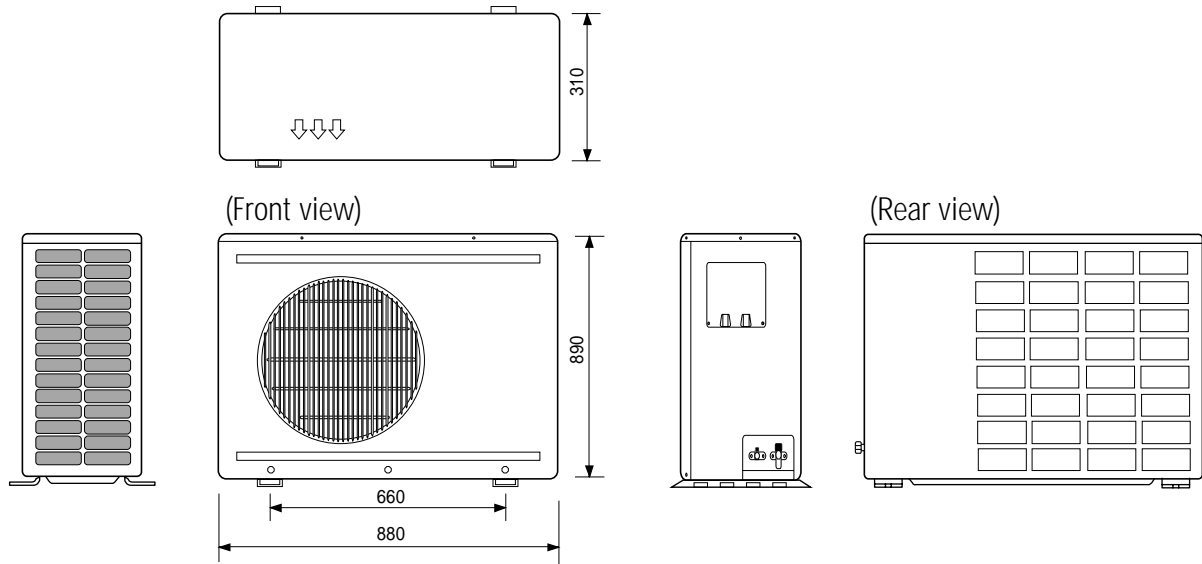
Model		SC30ZC1(C2)X	Remarks	
Compressor	Type	Reciprocating		
	Compressor model	H23A423ABKA		
	Normal output	W		3200
	Compressor oil kind	WITCO LP200 OR EQUIVALENT.		
	Compressor oil	cc		INITIAL : 1480 REFILL : 1390
	Oil Specific gravity	0.92		
	Coil resistance (Ambient temp.25°C)	1/2		Start winding : 2.27
				Run winding : 0.65
	Safety devices	Type		15HM
		Overload relay		Internal Line Break
		Operating temp.   Open		°C
Close			°C	61
Operating amp (Ambient temp.)	73.0 AT 2-10 SECOND			
Run capacitor	40μF x 450VAC			
Fan & Fan	Type	Propeller		
	Dia. and length	mm	ø460	
	Fan motor model	OSME-606SRC		
	Pols, rpm (at 240V)	6P, 850 / 400 RPM		
	Normal output	W	70W 73.7(HIRPM)	
	Coil resistance (Ambient temp.20°C)	Ω	MAIN : 103.8 ± 10%	
			SUB : 133.6 ± 10%	
	Safety devices	Type	17AM034A5	
Operating temp.   Open		°C	135 ± 5°C	
Run capacitor	μF x VAC	4μF x 450VAC		
Heat Exch.	Coil	AL-FIN / Copper tube		
	Rows x Steps	2 x 34		
	Fin pitch	mm	1.7	
	Face area	m <sup>2</sup>	0.5376	

## 2-3 Dimensions

### 2-3-1 Indoor Unit



### 2-3-2 Outdoor Unit (30K BTU)



## 2-4 Pressure Graph

■ 30K BTU

