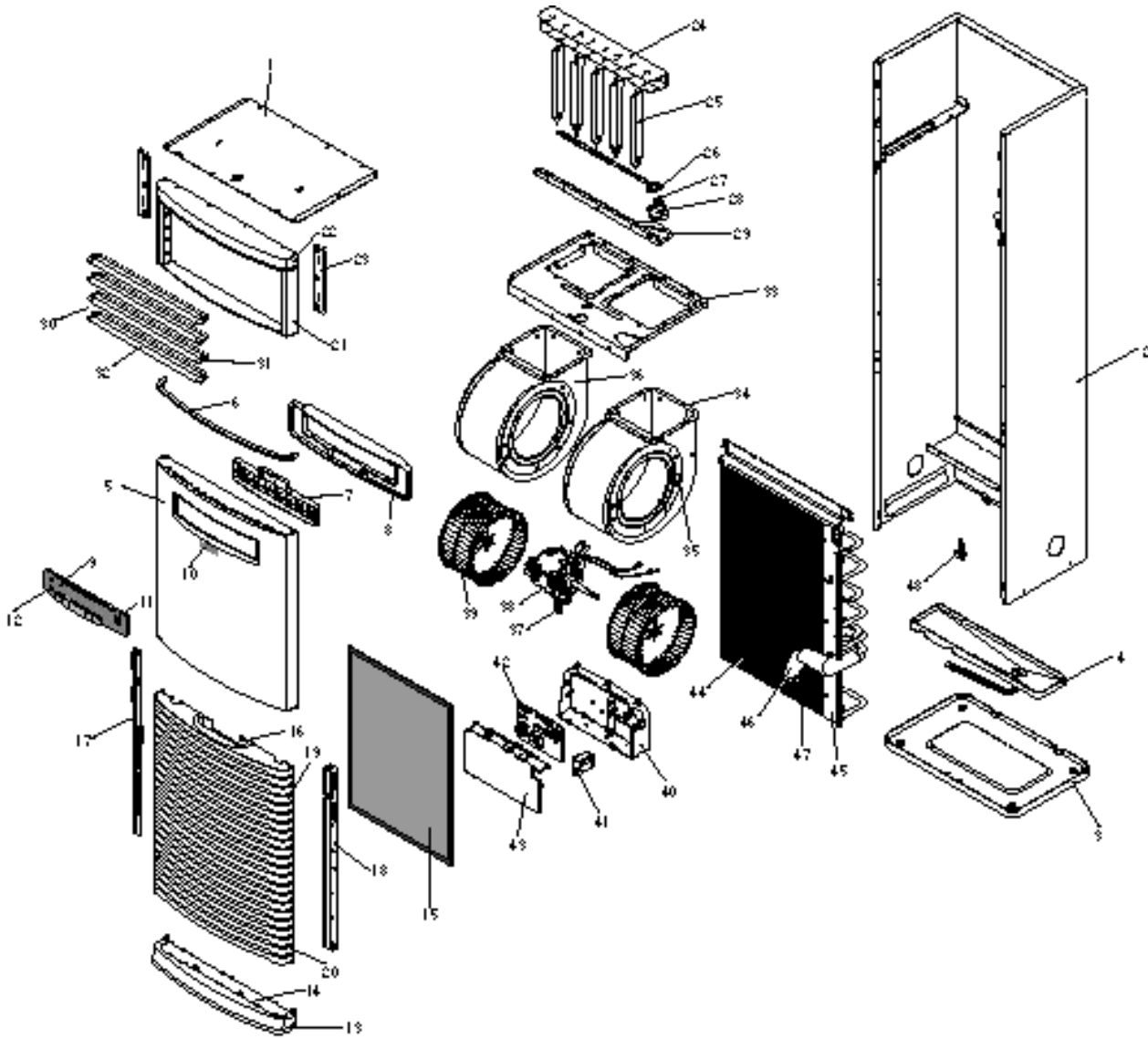

6. Exploded Views and Parts List

6-1 Indoor Unit

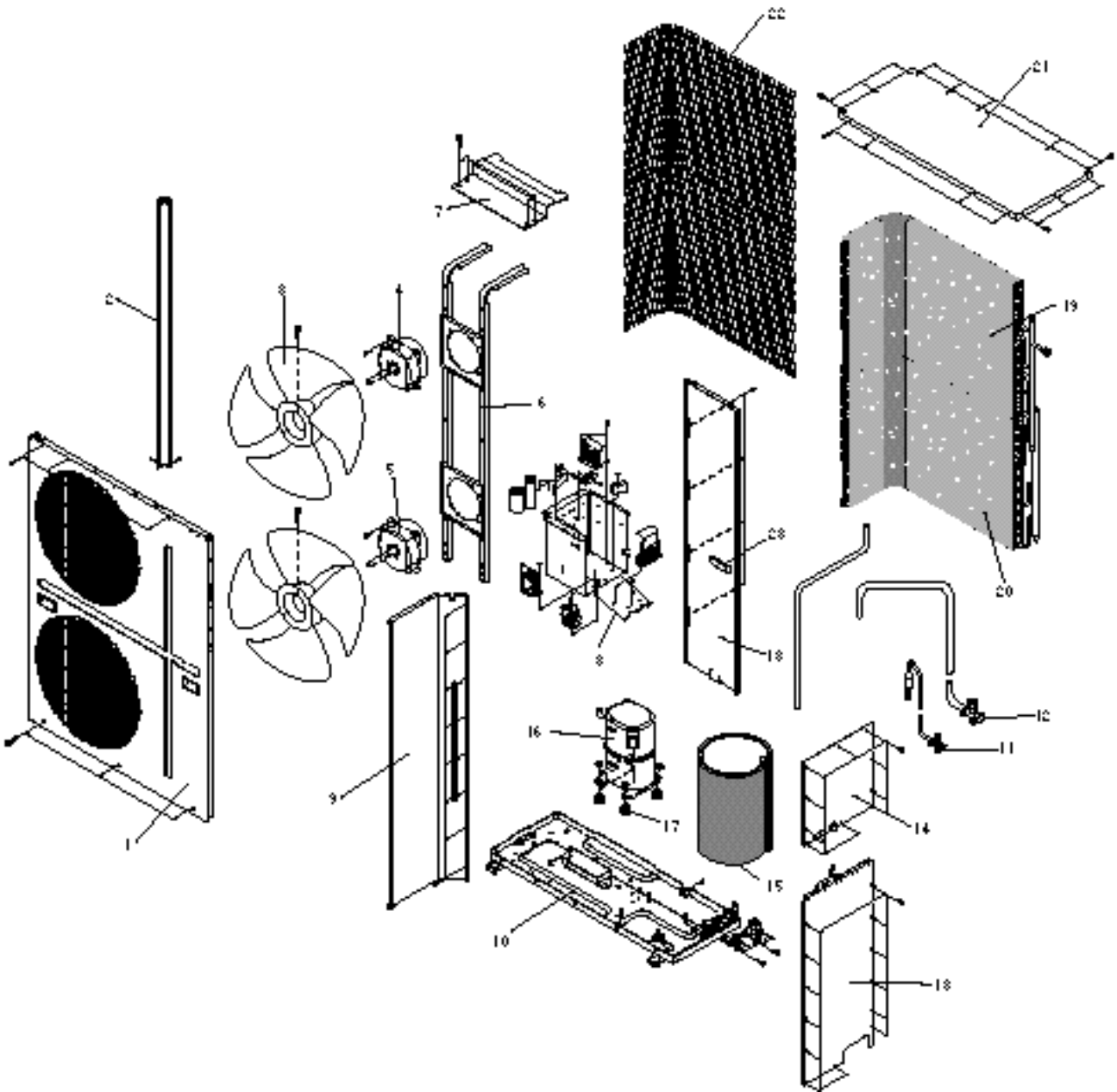


PART LIST

No	CODE-NO	DESCRIPTION	SPECIFICATION	Q'TY	REMARKS
1	DB70-10271A	PLATE-TOP	SECC-P, -, -, -, SC-94445T	1	
2	DB90-10561A	ASS'Y-CABI IN	AP-1100, L1810590*ø363	1	
3	DB90-20171B	ASS'Y-BASE IN	SAH-2017, 2517, SECC-P(20/20)	1	
4	DB91-90012C	ASS'Y-DRAIN PART	AP-1604CR, -	1	
●	DB90-40113F	ASS'Y-CABI FRONT	Heater only model	(1)	Option
	DB90-40113D	"	Non heater model	(1)	
5	DB90-10175A	ASS'Y-CABI FRONT IN	SA-165CH, LAMINATED	1	
6	DB64-50076A	DECORATION-LOW	ABS, -, -, -	1	
7	DB63-10027A	COVER-CONTROL	ABS, -, -, -	1	
8	DB63-10432A	"	EPS	1	
9	DB93-40232T	ASS'Y-CONTROL PANEL	Heater only model	(1)	Option
	DB93-40232V	"	Non Heater model	(1)	
10	DB64-30011D	BRAND-SAMSUNG	KOAL, T1.6, W11.5, L70, BLK, -	1	
11	DB64-50019A	KNOB-A	ABS, CR, SAH-165CH, -	1	
12	DB64-50020A	KNOB-B	ABS, CR, SAH-165CH, -	2	
13	DB64-50069A	DECORATION-DIE	ABS, GRY, SAH-165CH, -	1	
14	DB61-30501A	BRACKET-DECO LOW	SECC-P(20/20), T2.0, SC-4	1	
15	DB74-10079A	FILTER-PRE	PE, T0.3, AP-110	1	16-20 ASS'Y
●	DB92-10007B	ASS'Y-GRILLE IN	SAH-165CH, -	1	
16	DB67-90005A	BASKET-PEMOCON	SAH-2016/2516	1	
17	DB61-30108A	BASKET-GRILL LF	SC-9444ST, SAH-165CH	1	
18	DB61-30109A	BASKET-GRILL RH	SC-9444ST, SAH-165CH	1	
19	DB64-10035A	GRILLE INLET UP	ABS, SAH-2016/2516	1	
20	DB64-10036A	GRILLE INLET LOW	ABS, SAH-2016/2516	1	21-29 ASS'Y
●	DB92-10298A	ASS'Y-GRILLE OUT	AP-1100, -	1	
21	DB64-10034A	GRILLE OUTLET	ABS, SAH-2016/2516	1	
22	DB64-50075A	DECO UP	ABS, SAH-2016/2416	1	
23	DB61-40034A	HOLDER OUT GRILL	SECC-P(20/20), BLK	2	
24	DB61-40235A	HOLDER-BLADE UP	SGCCM, T1, -, L564	1	
25	DB66-30156A	BLADE-V	PC ABS, T3, 5, -	5	
26	DB66-60026A	LINK-BLADE V	PC ABS, T2, 12, -, -, -	1	
27	DB68-70001A	CAM BLADE	POM	1	
28	DB95-20065E	ASS'Y-MOTOR SWING	516RPM M2LA49ZR32, -	1	
29	DB61-40234A	HOLDER-BLADE LOW	SGCCM, T1, -, L564	1	31, 32 ASS'Y
30	DB92-20017A	ASS'Y BLADE H	SAH-2016/2516	4	
31	DB61-40037A	HOLDER-BLADE	ZN-DC1, -, -, SAH-165CH	2	
32	DB66-30070A	BLADE-H	SECC-P, T0.5, 230, -	1	33-39 ASS'Y
●	DB94-30143C	ASS'Y BLOWER IN	APH450PG, 6uF	1	
33	DB61-40233A	HOLDER-TOP BLOWER	SGCCM, T2.0, -, AP-1100	-	
34	DB90-40112B	ASS'Y-CASE DUCT R	AP-1100, T0.8	1	
35	DB63-10431A	COVER-BELL MOUTH	SGCCM, T0.8, -, -, M, AP-1100	4	
36	DB90-40112A	ASS'Y CASE DUCT L	AP-1100, T0.8	1	
37	DB61-30507A	BRACKET-MOTOR IN	SGCCM, T2.0, -, AP-1100	3	
38	DB95-20136E	ASS'Y-MOTOR IN	APH450PG	-	
39	DB67-50003A	BLOWER	ABS, -, -	2	
40	DB61-10023A	CASE-CONTROL	ABS, -, -, BLK, -, -	1	
41	DB26-10070A	TRANS-POWER	DC17, AC230, -, -, -, DC17, DC0.6A	1	
42	DB93-10519A	ASS'Y-PCB MAIN		1	
43	DB63-10033A	COVER-CONTROL CASE	ABS, -, BLK, -, -	1	
44	DB96-40164B	ASS'Y-EVAP IN	APH450PG	-	
45	DB63-10430A	COVER-EVAP R	SGCCM, T0.8, -, -, L749 W 77	1	
46	DB96-10559A	ASS'Y-TUBE INLET PART	AP-1300, 1.2/850/900/950/1000	1	
47	DB96-50083A	ASS'Y COLLECTOR IN	AP-1604CR, -	1	
48	DB61-40052A	HOLDER-THERMISTOR	ABS, -, WHT, -	1	
49	DB91-20081A	ASS'Y ELEC HEATER	APH450PG	1	Heater only

6-2 Outdoor Unit

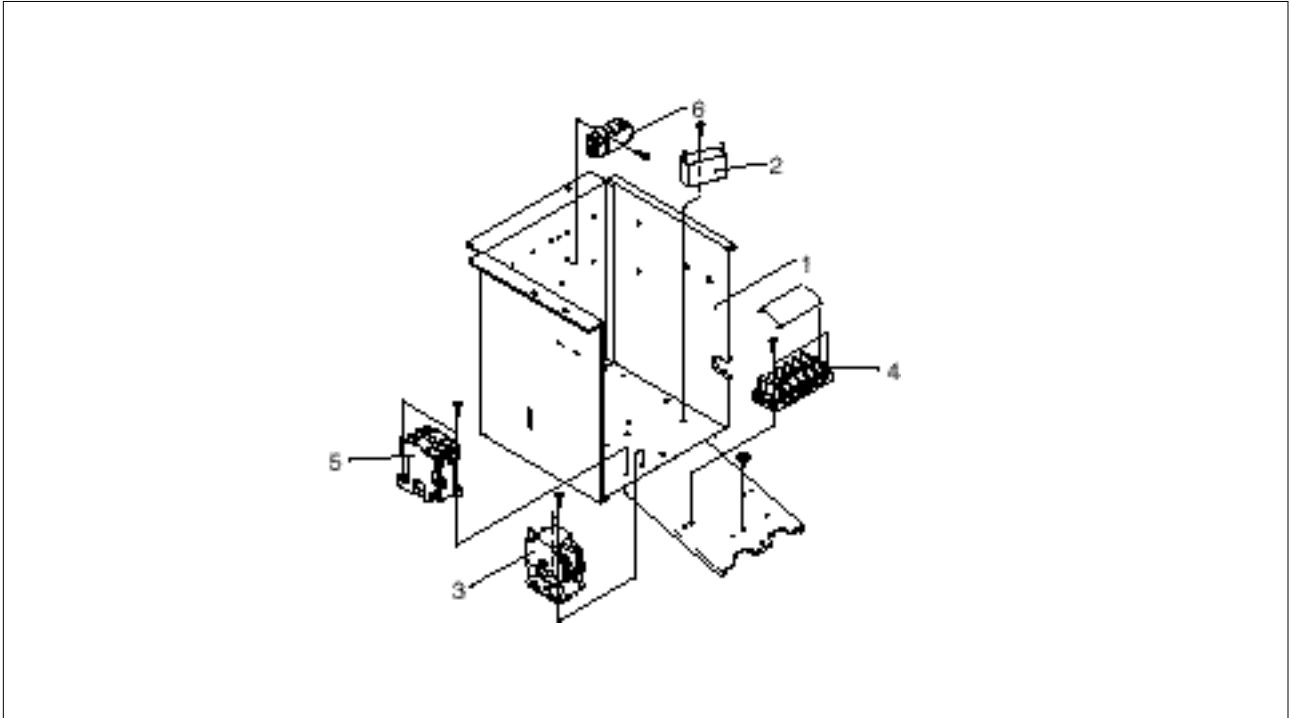
6-2-1 Outdoor Unit



■ PART LIST

No	CODE-NO	DESCRIPTION	SPECIFICATION	Q'TY	REMARKS
1	DB90-10565A	ASSY-CABI OUT AIR	WELD GUARD FAN	1	
2	DB63-30028C	GUARD-INLET	SC-91438T, -	1	
3	DB67-50067A	FAN-PROPELLER	AS+GF20, D495, 4BLADE	2	
4	DB95-20137F	ASSY-MOTOR OUT	AP-1100, OSM-6508SRC	1	
5	DB95-20137G	ASSY-MOTOR OUT	AP-1100, OSM-6508SRC WIRE	1	
6	DB90-30028E	ASSY-MOUNT MOTOR OUT	APE-1600CR, -	1	
7	DB61-40088A	HOLDER-FRAME	SGCC1, T1.6, -, -	1	
8	DB93-40693A	ASSY-CONTROL OUT	Heater only model	(1)	
	DB93-40696A	"	Non-heater model	(1)	
9	DB93-40272A	PARTITION	T1, -, 389.17°ø1239.46	1	
10	DB67-30025A	ASSY-BASE OUT	AP-3508, M8 WELD BOLT	1	
11	DB99-10114A	ASSY VALVE 3/8" CHECK	APH450PG	1	
12	DB99-10115A	ASSY-4 WAY V/V	APH450PG	1	
13	DB90-10071B	ASSY-CABI OUT LW SD	SECC-P(20/20), T0.8	1	
14	DB90-10085B	ASSY-CABI OUT UP SD	SECC-P(20/20), T0.8	1	
15	DB72-50556A	INSU SOUND	T12, W940, L380	1	
16	DB95-10068A	ASSY-COMP	CRNO-0500-TFD	1	
17	DB73-10008A	GROMMET-MOUNT	BROWN	4	
18	DB90-10369D	ASSY-CABI OUT B	AP-1004/1604CR, -	1	
19	DB96-30277A	ASSY-COND UP	1.7 WAVE	1	
20	DB96-30278A	ASSY-COND LOW	1.7 WAVE	1	
21	DB98-20057A	ASSY-PLATE TOP	AP-1004/1604CR, -	1	
22	DB63-30110C	SCREEN-GUARD	P.E.H 100%, T2.5, -, -	1	
23	DB67-90017B	HANDLE	ABS, -, SC-90073R	1	

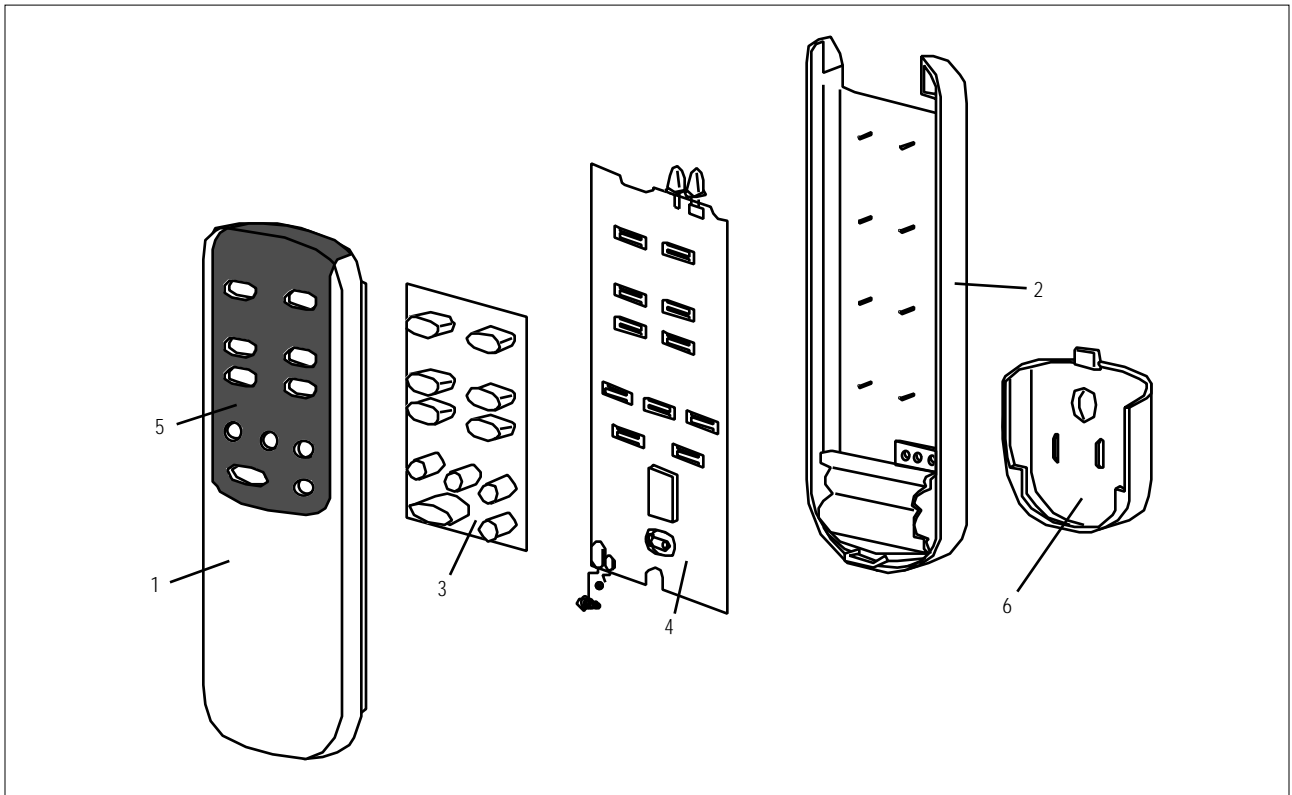
6-2-2 ASS'Y CONTROL BOX



■ Parts List

No	CODE NO	Description	Specification	Q'ty	Remark
1	DB93-40419A	ASS'Y CONTROL BOX OUT	SGCC-M, Z(Z=22)	1	
2	2501-001098	CAPACITOR OUT	450VAC 4uF	2	
3	DB34-90089A	MAGNET-CONTACTOR	42AF35AL	1	
4	DB65-40022A	TERMINAL BOARD	600V 35, 15A	1	
5	DB34-90090A	MAGNET-CONTACTOR	42AF35ALPM	1	Heater only
6	DB47-90121A	FILTER-NOISE	PC4-F05	1	

6-3 Remote Control



■ Parts List

No	CODE NO	Description	Specification	Q'ty	Remark
	DB93-30026K	ASS'Y-REMOCON	AR-H60	1	
1	DB61-10022A	CASE-REMOCON(UPP)	ABS	1	
2	DB61-10011A	CASE-REMOCON(LW)	ABS	1	
3	DB73-20013A	RUBBER(BT)	NBR	1	
4	DB93-10509A	ASS'Y-REMOCON PCB	APH450PG	1	
5	DB64-40008J	WINDOW-REMOCON	PC T1.5	1	
6	DB63-10081A	COVER BATTERY	ABS	1	

MEMO