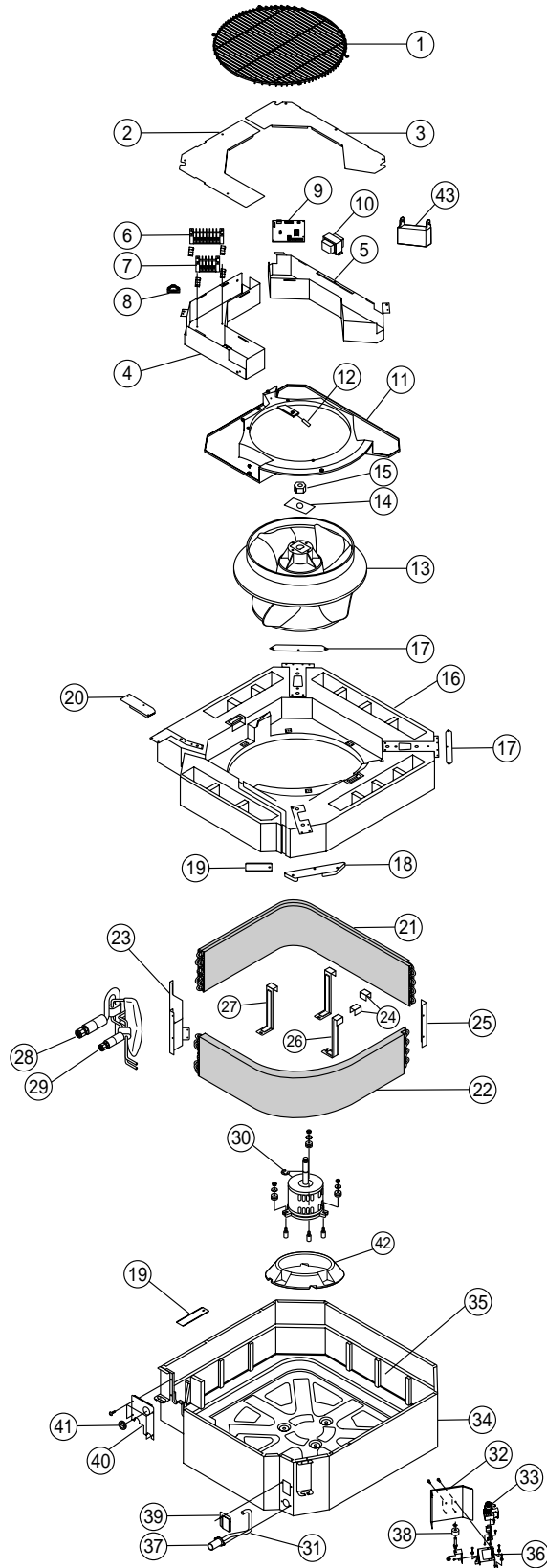


7. Exploded Views and Part List

7-1 Indoor Unit

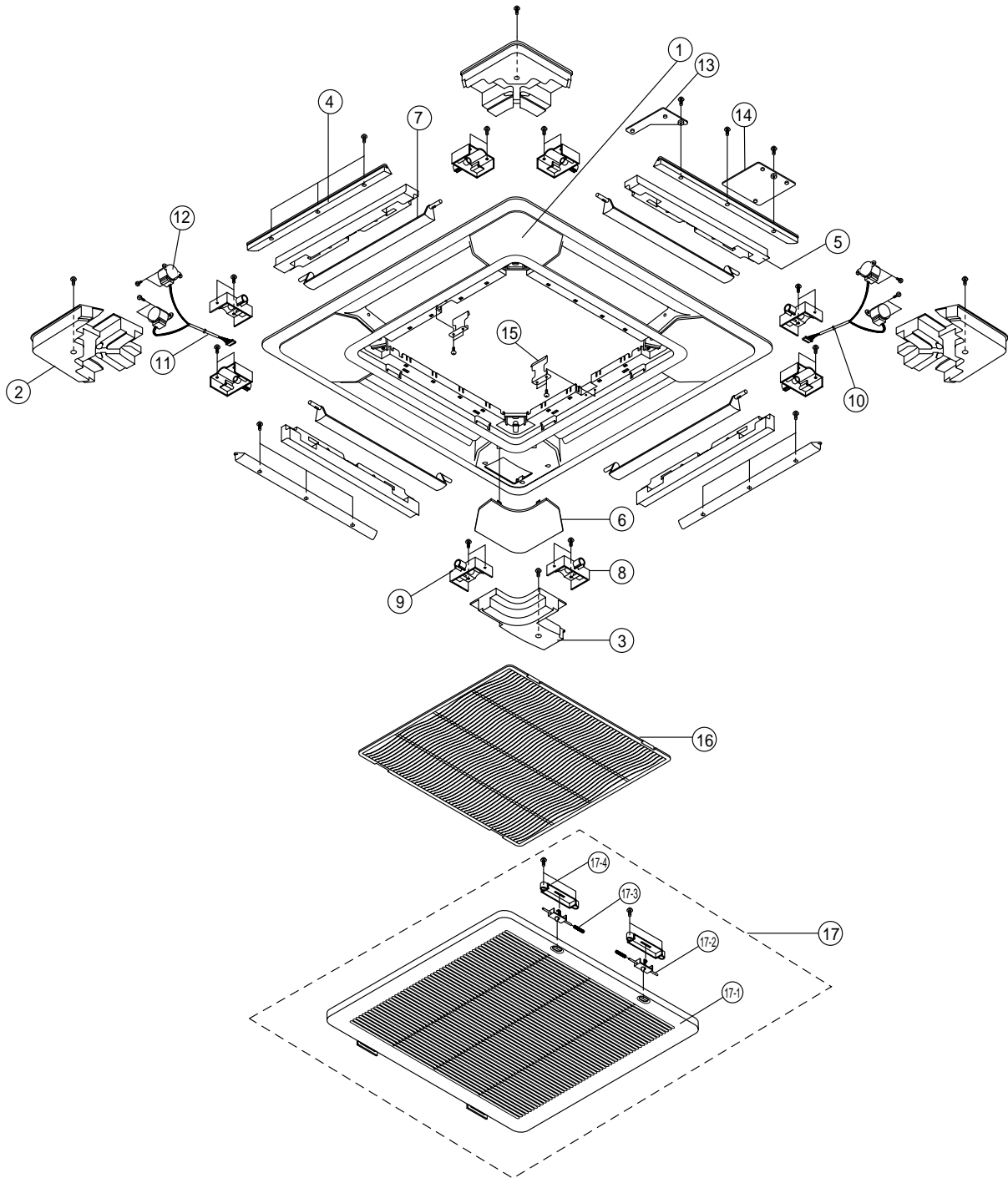


Part List

No.	Code No.	Description	Specification	Q'TY								Remarks	
				ACH1800E CH182A	ACH2400E CH242A	ACH3600G CH362A	ACH4400G CH442A	CH18CA	CH24CA	CH36CA	CH44CA		
1	DB63-00058A	GUARD-SAFETY	BLK	1	1	1	1	1	1	1	1	1	
2	DB63-00050A	COVER-CONTROL	SGCCM, T0.7	1	1	1	1	1	1	1	1	1	
3	DB63-00049A	COVER-PCB	SGCCM, T0.7	1	1	1	1	1	1	1	1	1	
4	DB90-00127A	ASSY-CASE-CONTROL	P/D SPOT ASSY	1	1	1	1	1	1	1	1	1	
5	DB90-00128A	ASSY-CASE-PCB	P/D SPOT ASSY	1	1	1	1	1	1	1	1	1	
6	DB65-00029B	TERMINAL-BOARD-8P	250V 20A, 8P	1	1	-	-	1	1	-	-	-	
	DB65-00029D	TERMINAL-BOARD-8P	250V 20A, 8P	-	-	1	1	-	-	1	1	1	
7	DB65-00029A	TERMINAL-BOARD-5P	250V 20A, 5P, M3.5, 30x21, 5x79	1	1	1	1	1	1	1	1	1	
8	DB61-40291B	HOLDER-WIRE	PP, T2.0	1	1	1	1	1	1	1	1	1	
9	PD-DH2400-01	ASSY PCB PARTS		1	1	-	-	1	1	-	-	-	
	PD-DH3200-01	ASSY PCB PARTS		-	-	1	1	-	-	1	1	1	
10	DB26-00002A	TRANS-POWER	250V, 50HZ	1	1	1	1	1	1	1	1	1	
11	DB67-00019A	FAN-BELL MOUTH	PS, 0D530	1	1	1	1	1	1	1	1	1	
	DB67-00020A	FAN-BELL MOUTH	PP, 0D530	-	-	1	1	-	-	1	1	1	
12	DB32-00012A	THERMISTOR	103AT, 10K	1	1	1	1	1	1	1	1	1	
13	DB94-00016A	ASSY-FAN-TURBO	TB461	1	1	1	1	1	1	1	1	1	
14	DB90-00106A	ASSY-HOLDER-FAN	PI460	1	1	1	1	1	1	1	1	1	
15	6021-000131	NUT-HEXAGON	2C, M12	1	1	1	1	1	1	1	1	1	
16	DB94-00011A	ASSY-DRAIN-CUSHION	EPS, ASSY	1	1	1	1	1	1	1	1	1	
17	DB64-00055A	CABINET-GUIDE A	SGCCM, T0.8	2	2	2	2	2	2	2	2	2	
18	DB64-00056A	CABINET-GUIDE B	SGCCM, T0.8	1	1	1	1	1	1	1	1	1	
19	DB61-00134A	BRACKET-WIRE	SGCCM, T0.8	2	2	2	2	2	2	2	2	2	
20	DB63-00046A	COVER-POWER CORD	SGCCM, T0.8	1	1	1	1	1	1	1	1	1	
21	DB75-00025A	EVAPORATOR-ASSY-LF	1.4SLIT, P21, 1398, 8EA	1	1	-	-	1	1	-	-	-	
	DB96-00326A	EVAPORATOR-ASSY-LF	1.5SLIT, P21	-	-	1	1	-	-	1	1	1	
22	DB75-00024A	EVAPORATOR-ASSY-RH	1.4SLIT, P21, 1270, 8EA	1	1	-	-	1	1	-	-	-	
	DB96-00325A	EVAPORATOR-ASSY-RH	1.5SLIT, P21	-	-	1	1	-	-	1	1	1	
23	DB67-00023A	PARTITION-FRONT EVAP	SGCCM, T0.8	1	1	-	-	1	1	-	-	-	
	DB67-00024A	PARTITION-FRONT EVAP	SGCCM, T0.8	-	-	1	1	-	-	1	1	1	
24	DB65-00020A	CLIP-EVAP A	SGCCM, T0.7	2	2	-	-	2	2	-	-	-	
25	DB67-00021A	PARTITION-BACK EVAP	SGCCM, T0.8	1	1	-	-	1	1	-	-	-	
	DB67-00022A	PARTITION-BACK EVAP	SGCCM, T0.8	-	-	1	1	-	-	1	1	1	
26	DB61-00131A	HOLDER-EVAP	SGCCM, T0.7	2	2	-	-	2	2	-	-	-	
	DB61-00142A	HOLDER-EVAP	SGCCM, T0.7	-	-	2	2	-	-	2	2	2	
27	DB61-00231A	HOLDER-EVAP	SGCCM, T0.8	4	4	-	-	4	4	-	-	-	
	DB61-00251A	HOLDER-GUIDE-AIR	SGCCM, T0.8	-	-	4	4	-	-	4	4	4	
28	DB96-00164A	ASSY-COLLECTOR	0D 15.88 4PASS	1	1	-	-	1	1	-	-	-	
	DB96-00331A	ASSY-COLLECTOR-3/4	0D 19.05 10PASS	-	-	1	1	-	-	1	1	1	
29	DB96-00165A	ASSY TUBE INLET PART	4PASS	1	1	-	-	1	1	-	-	-	
	DB96-00332A	ASSY TUBE INLET PART	10PASS	-	-	1	1	-	-	-	-	-	
	DB96-00475A	ASSY TUBE INLET PART	4PASS	-	-	-	-	1	1	-	-	-	
	DB96-00332B	ASSY TUBE INLET PART	10PASS	-	-	-	-	-	-	1	1	1	
30	DB31-00026D	MOTOR FAN	0SME-506SAC	1	1	-	-	1	1	-	-	-	
	DB31-00061A	MOTOR FAN	0SME-1646SAC	-	-	1	1	-	-	1	1	1	
31	DB62-00137A	HOSE-DRAIN	EPDM	1	1	-	-	1	1	-	-	-	
	DB62-00250A	HOSE-DRAIN	EPDM	-	-	1	1	-	-	1	1	1	
32	DB67-00027A	PARTITION-DRAIN PUMP	SGCCM, T0.7	1	1	-	-	1	1	-	-	-	
	DB67-00025A	PARTITION-DRAIN PUMP	SGCCM, T0.7	-	-	1	1	-	-	1	1	1	
33	DB66-00058A	PUMP-DRAIN	SAGINOMIYA	1	1	-	-	1	1	-	-	-	
	DB66-00148A	PUMP-DRAIN	SAUREMANN	-	-	1	1	-	-	1	1	1	
34	DB90-00111A	ASSY-CABI-WELD	WELD ASSY	1	1	-	-	1	1	-	-	-	
	DB90-00167A	ASSY-CABI-WELD	WELD ASSY	-	-	1	1	-	-	1	1	1	
35	DB90-00097A	ASSY-BASE-CUSHION	EPS ASSY	1	1	-	-	1	1	-	-	-	
	DB90-00148A	ASSY-BASE-CUSHION	EPS ASSY	-	-	1	1	-	-	1	1	1	
36	DB61-00120A	BRACKET-PUMP	SGCCM, T2.0	1	1	-	-	1	1	-	-	-	
	DB61-00121A	BRACKET-PUMP	SGCCM, T2.0	-	-	1	1	-	-	1	1	1	
37	DB67-00059A	DRAIN-HOSE-SOCKET	ABS, BLK	1	1	-	-	1	1	-	-	-	
	DB67-00018A	DRAIN-HOSE-SOCKET	ABS, BLK	-	-	1	1	-	-	1	1	1	
38	DB95-00082A	ASSY-SENSOR-FLOAT	WS-1H L43	1	1	1	1	1	1	1	1	1	
39	DB63-00059A	COVER-DRAIN PUMP	SGCCM, T0.8	1	1	1	1	1	1	1	1	1	
40	DB63-00052A	COVER-PIPE	SGCCM, T0.7	1	1	1	1	1	1	1	1	1	
41	DB73-00023A	RUBBER-COVER WIRE	NBR, T3	1	1	1	1	1	1	1	1	1	
42	DB69-00181A	CUSHION-BELL-MOUTH	EPS	-	-	1	1	-	-	1	1	1	
43	2301-001371	CAPACITOR MOTOR	2µF, EAF45205	1	-	-	-	1	-	-	-	-	
	2301-001370		2.5µF, EAF45255	-	1	-	-	-	1	-	-	-	
	2301-001368		5µF, EAF45505	-	-	1	-	-	-	1	-	-	
	2301-001367		6µF, EAF45605	-	-	-	1	-	-	-	1	-	
	2301-001369		3µF	-	-	-	-	-	1	-	-	-	

7-2 Panel Front Disassembly Diagram

• Panel Front

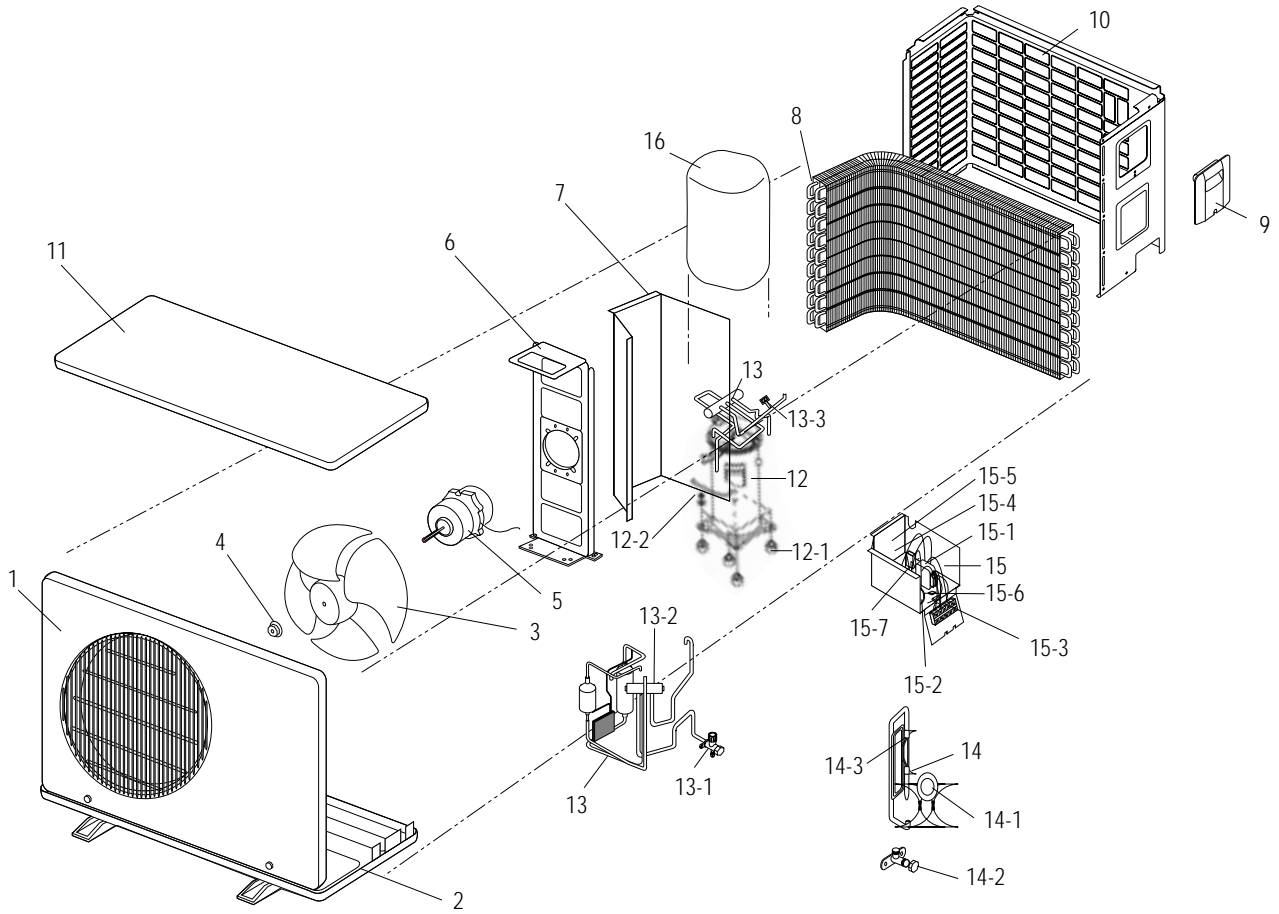


■ ASSY PANEL PART LIST (CH01ZAP, IFS095G00 : Wire typ, CH02ZAP, IFS095G01 : Wireless type)

No.	Code No.	Description	Specification	Q'TY		Remarks
				IFS095G00 CH01ZAP	IFS095G01 CH02ZAP	
1	DB64-00051A	PANEL-FRONT	HIPS, 950x950	1	1	
2	DB69-00091A	CUSHION-SIDE-A	EPS, T38.5, W182, L182, GR	3	3	
3	DB69-00092A	CUSHION-SIDE-B	EPS, T34.6, W182, L182, GR	1	1	
4	DB69-00093A	CUSHION-A	EPS, T18.4, W28, L526, GRY	4	4	
5	DB69-00094A	CUSHION-B	EPS, T37.5, W66, L490, GRY	4	4	
6	DB63-00041A	COVER-FRONT	HIPS	1	-	
	DB90-00096B	ASSY COVER FRONT(RE)	ASSY	-	1	
7	DB66-00029A	BLADE-H	ABS	4	4	
8	DB61-00107A	HOUSING-MOTOR L	HIPS	4	4	
9	DB61-00108A	HOUSING-MOTOR R	HIPS	4	4	
10	DB39-00078A	CONNECT WIRE-MOTOR	AWG24/10, AWG#24	1	1	
11	DB39-00079A	CONNECT WIRE-MOTOR	AWG24/10, AWG#24	1	1	
12	DB31-10129C	MOTOR-STEPPING	GSP-24RW-045, DC12V	4	4	
13	DB63-00051A	COVER-OUT A	ABS, T2, BLK	1	1	
14	DB63-00054A	COVER-OUT B	ABS, T2, BLK	1	1	
15	DB70-00031A	PLATE-HANGER	STS304, T0.6	2	2	
16	DB74-00002A	FILTER-AIR	PP, T20, BLK	1	1	
17	DB92-00029A	ASSY-GRILLE IN	ASSY	1	1	
17-1	DB64-00050A	GRILLE-AIR INLET	HIPS	1	1	
17-2	DB64-00052A	KNOB-SLIDE	HIPS	2	2	
17-3	DB67-00030A	SPRING-KNOB	0D 5.5, STS304, L34	2	2	
17-4	DB63-00040A	COVER-KNOB	HIPS	2	2	
18	DB97-00254A	ASSY-WIRED REMOTE CONTROL	ASSY	1	-	
	DB97-00255A	ASSY-WIRELESS REMOTE CONTROL	ASSY	-	1	

7-3 Outdoor Unit

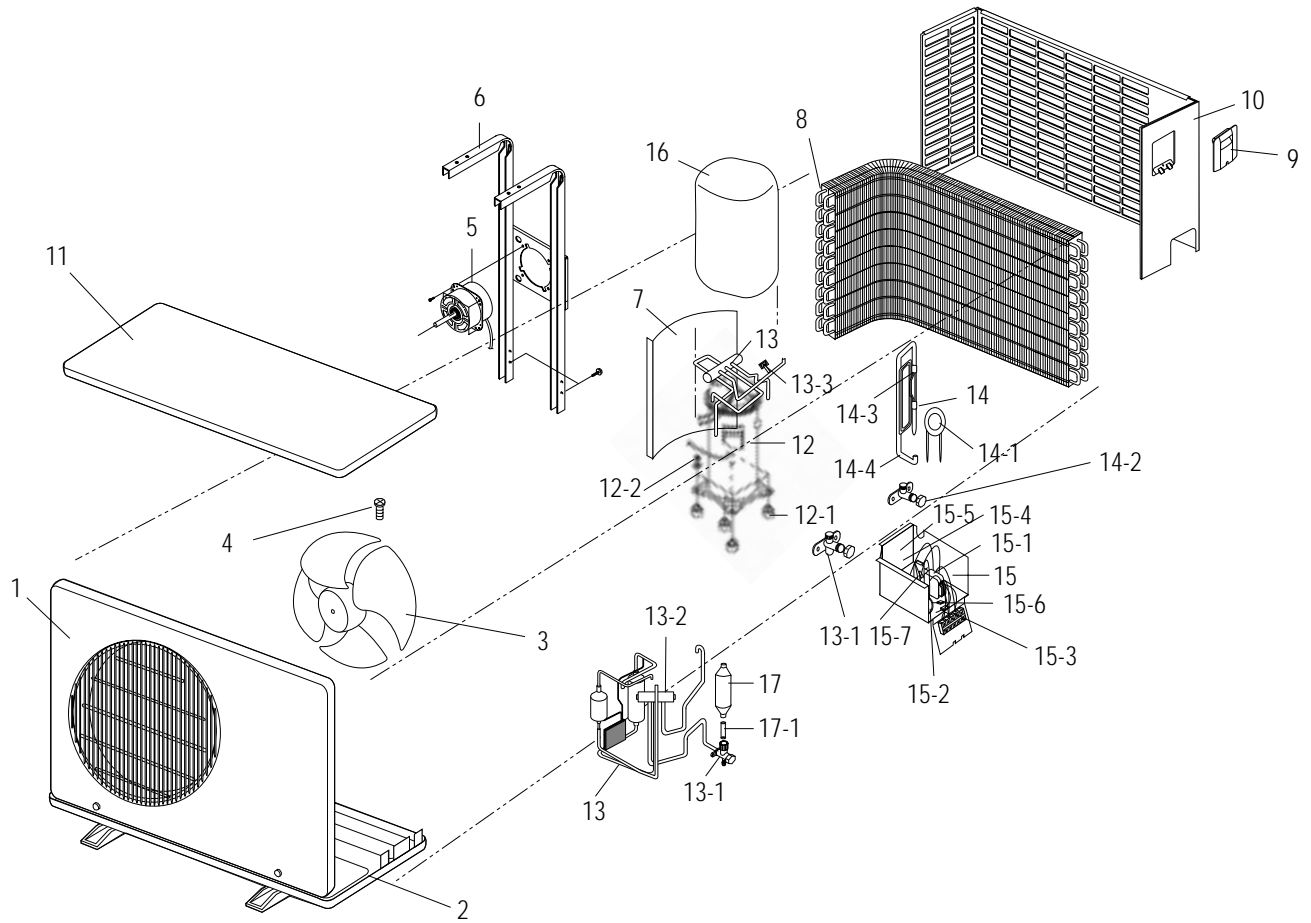
• 18K



■ Outdoor Unit Parts list (18K)

NO	CODE NO	Description	Specification	Q'TY	Remark
1	DB90-10673C	ASS'Y-CABI, FRONT	AP-4350/5350	1	
2	DB90-20160E	ASS'Y-BASE, OUT	UBH1800E	1	
3	DB67-50063A	FAN-PROPELLER	AS+G/F20%, D405	1	
4	DB60-30020A	NUT-FLANGE	M6, FEFZY, LF	1	
5	DB31-00056A	MOTOR-FAN	ASS030AVEA	1	
6	DB61-20008C	BASE-MOTOR	SGCC-M, T=1.2	1	
7	DB94-50034B	ASS'Y-PARTITION	ASH-1807ER ADD, SEAL	1	
8	DB96-00184A	ASS'Y-CONDENSER	2X24 WAVE 1.7	1	
9	DB90-40176B	ASS'Y-COVER CONTROL	ABS	1	
10	DB90-10671G	ASS'Y-CABI, BACK	AP-4350	1	
11	DB90-00074B	ASS'Y-CABI-UP	M-18	1	
12	DB95-10057N	ASS'Y-COMP	ZR22K3-PFJ	1	
	DB95-10057U	ASS'Y-COMP	ZR22K3E-PFJ	1	CH18CA
12-1	DB73-10023A	GROMMET COMP	EPDM, T41, BLK	4	
12-2	DB60-30028A	NUT-WASHER	HEX, 2C, M8, ZPC	4	
13	DB96-00189A	ASS'Y-TUBE 4WAY V/V	ADH1800E, 5/8"	1	
	DB96-00189B	ASS'Y TUBE 4WAY V/V	CH18CA	1	CH18CA
13-1	DB62-40055F	VALVE-SERVICE 5/8	5/8"	1	
	DB62-00424A	VALVE-SERVICE 5/8	5/8"	1	CH18CA
13-2	DB62-40036A	VALVE-4WAY	ASS'Y	1	
	DB62-00261A	VALVE-4WAY	RANCO (VT1100B)	1	CH18CA
13-3	DB34-00004A	SWITCH-PRESSURE	ASS'Y	1	
14	DB96-00190A	ASS'Y-TUBE, CHECK, V/V	ADH1800E(3/8")	1	
	DB96-00476B	ASS'Y-TUBE, CHECK, V/V	CH18CA	1	CH18CA
14-1	DB62-00218A	TUBE-CAPILLARY CHECK	C1220T-0, ID2.0X500	1	
	DB62-00436A	TUBE-CAPILLARY CHECK	C1220T-0, ID1.7x700	1	CH18CA
14-2	DB62-00287A	VALVE-SERVICE, 3/8	3/8"	1	
	DB62-00425A	VALVE-SERVICE 3/8	3/8"	1	CH18CA
14-3	DB62-40105D	VALVE-CHECK	CHV0201	1	
15	DB93-00252E	ASS'Y-CONTROL BOX	UDH1800E	1	
15-1	DB34-90057C	SWITCH-MAGNET	45CG20ALB	1	
15-2	2501-001214	CAPACITOR	40UF/400V, COMP	1	
15-3	DB65-40022G	TERMINAL-BLOCK	6P, 600V, 35A	1	
15-4	PD-DH2400-S0	ASS'Y-PCB PART	ASS'Y	1	
15-5	DB61-00152A	CASE-PCB, OUT	T2.5, ABS, BLK	1	
15-6	DB26-10070A	TRANS-POWER	DC17, AC230	1	
15-7	2301-001370	CAPACITOR MOTOR	2.5μF, EAF45255	1	
16	DB72-00122A	CLOTH-SOUND, COMP	T12, W800, L350	1	

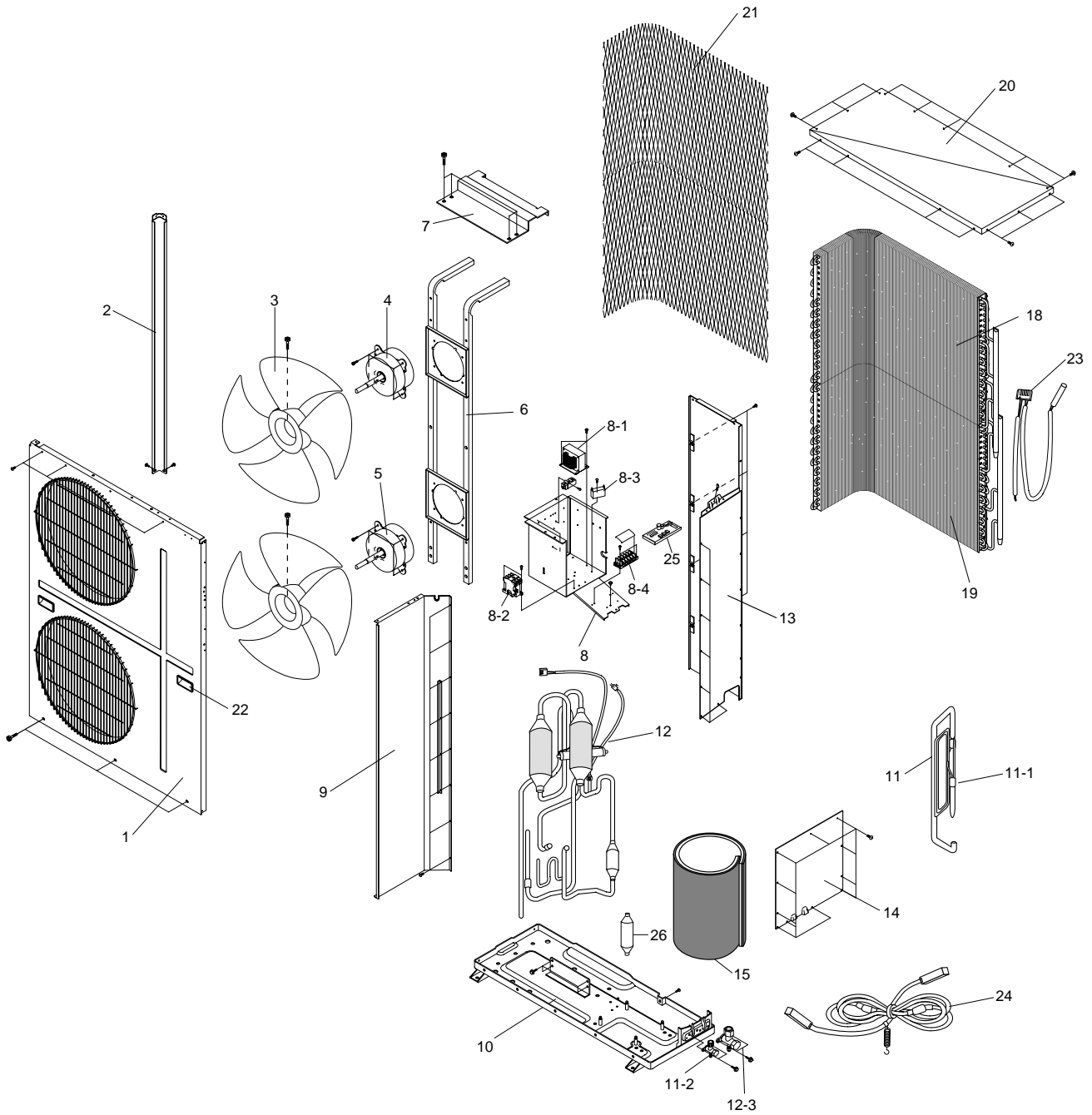
• 24K



■ Outdoor Unit Parts list (24K)

NO	CODE NO	Description	Specification	Q'TY	Remark
1	DB90 - 10634L	ASS'Y-CABI, FRONT	ASH-3500	1	
2	DB90 - 20157L	ASS'Y-BASE, OUT	AP-7650	1	
3	DB67 - 50074A	FAN-PROPELLER	AS-1569	1	
4	-	BOLT-SPECIAL	M6	1	
5	DB31 - 00027A	MOTOR-FAN	OSME-806SRC	1	
6	DB95 - 20147A	ASS'Y-MOTOR, B/K	AS-1569, ASSY	1	
7	DB94 - 50039C	ASS'Y-PARTITION	ASM-3500A	1	
8	DB96 - 00180A	ASS'Y-CONDENSER	2X24, D-5, 1.7mm	1	
9	DB90 - 40176B	ASS'Y-COVER CONTROL	AS-126/1210	1	
10	DB64 - 60160C	CABINET-SIDE	SECC-P, SC-90073T	1	
11	DB90 - 10616D	ASS'Y-CABI, UP	ADH2400E, ASS'Y	1	
12	DB95 - 10057G	ASS'Y-COMP, SCROLL	ZR28K3-PFJ	1	
	DB95 - 10057V	ASS'Y-COMP-SCROLL	ZR28K3E-PFJ	1	CH24CA
12-1	DB73 - 10023A	GROMMET COMP	EPDM, T41, BLK	4	
12-2	DB60 - 30028A	NUT-WASHER	HEX, 2C, M8, ZPC	4	
13	DB96 - 00177A	ASS'Y-TUBE 4WAY V/V	ADH2400E, 5/8"	1	
	DB96 - 00177B	ASS'Y-TUBE 4WAY V/V	CH24CA	1	CH24CA
13-1	DB62 - 40055F	VALVE-SERVICE	5/8"	1	
	DB62 - 00424A	VALVE-SERVICE	5/8"	1	CH24CA
13-2	DB62 - 40036A	VALVE-4WAY	ASS'Y	1	
	DB62 - 00261A	VALVE-4WAY	RANCO	1	CH24CA
13-3	DB34 - 00004A	SWITCH-PRESSURE	ASS'Y	1	
14	DB96 - 00178A	ASS'Y-TUBE, CHECK, V/V	ADH2400E, 3/8"	1	
	DB96 - 00476A	ASS'Y-TUBE, CHECK, V/V	CH24CA	1	CH24CA
14-1	DB62 - 00217A	TUBE-CAPILLARY CHECK	C1220T-0, ID2.0X700	1	
	DB62 - 00218A	TUBE-CAPILLARY CHECK	ID2.0X500	1	CH24CA
14-2	DB62 - 40011G	VALVE-SERVICE	3/8"	1	CH24CA
	DB62 - 00425A	VALVE-SERVICE 3/8	3/8"	1	CH24CA
14-3	DB62 - 40105D	VALVE-CHECK	CHV0201	1	
15	DB93 - 00250G	ASS'Y-CONTROL BOX	ADH2400E, ASS'Y	1	
15-1	DB34 - 90057C	SWITCH-MAGENT	45CG20ALB	1	
15-2	2501 - 001215	C-OIL	45μF/400V	1	
15-3	DB65 - 40022G	TERMINAL-BLOCK	6P, 600V, 35A	1	
15-4	PD - DH2400 - S0	ASS'Y-PCB PART	ASS'Y	1	
15-5	DB61 - 00152A	CASE-PCB, OUT	T2.5, ABS, BLK	1	
15-6	DB26 - 10070A	TRANS-POWER	DC17, AC230	1	
15-7	2301 - 001369	CAPACITOR MOTOR	3μF, EAF45305	1	
16	DB72 - 00122A	CLOTH-SOUND, COMP	T12, W800, L350	1	
17	DB96 - 00477A	ASS'Y DRIER	CH24CA	1	CH24CA
17-1	DB62 - 00426A	TUBE DRIER	NEW REFRIGERANT	1	

• 36K/44K



■ Outdoor Unit Parts list (36K/44K)

NO	CODE NO	Description	Specification	UCH3600G CH36ZAX	UCH4400G CH44ZAX	CH36CAX	CH44CAX	Remark
1	DB90-10565A	ASSY-CABI OUT AIR	SC-91438T	1	1	1	1	
2	DB63-30028C	GUARD-INLET	SC-91438T	1	1	1	1	
3	DB67-50067A	FAN-PROPELLER	ABS+GF20, D495	2	2	2	2	
4	DB31-00060A	MOTOR FAN UP	OSME-1146SRC	-	1	-	1	
	DB31-00060B		OSME-686SRC	1	-	1	-	
5	DB31-00060C	MOTOR FAN LOW	OSME-1146SRC	-	1	-	1	
	DB31-00060D		OSME-686SRC	1	-	1	-	
6	DB90-30028E	ASSY-MOUNT MOTOR OUT	SC-91438T	1	1	1	1	
7	DB61-40088A	HOLDER-FRAME	SGCC1, T1.6	1	1	1	1	
8	DB93-00317A	ASSY CONTROL OUT	3P380V50HZ, 44K	-	1	-	1	
	DB31-00317B		3P380V50HZ, 36K	1	-	1	-	
8-1	DB26-10070A	TRANS-POWER	DC17, AC230	1	1	1	1	
8-2	DB34-90090A	SWITCH-MAGNET	FURNAS	1	1	1	1	
8-3	2301-001367		6 μ F, EAF45605	2	2	2	2	
8-4	DB65-40022H	TERMINAL BLOCK	600V35A, 9P	1	1	1	1	
9	DB67-30025A	PARTITION	SGCCM T1.0	1	1	1	1	
10	DB90-20085K	ASSY BASE OUT	SGCCM T1.0	1	1	1	1	
11	DB96-00309A	ASSY CHECK V/V	ASSY	-	1	-	-	
	DB96-00356A	ASSY CHECK V/V	ASSY	1	-	-	-	
	DB96-00575A	ASSY CHECK V/V	ASSY	-	-	1	-	
11-1	DB62-40018A	VALVE CHECK	4/8", C1220T	1	1	1	1	
11-2	DB62-40011F	VALVE SVC	3/8"	1	1	-	-	
	DB62-00425B	VALVE SVC	3/8"	-	-	1	1	
12	DB96-00304A	ASSY-4WAY V/V	UCH4400G, -	-	1	-	-	
	DB96-00543A		CH44CA	-	-	-	1	
	DB96-00363A		UCH3600G	1	-	-	-	
	DB96-00363B		CH36CA	-	-	1	-	
12-1	DB34-00004A	SWITCH-PRESSURE	OFF33KG/cm ²	1	1	1	1	
12-2	DB62-40019A	VALVE-4WAY	ASSY 3/4"	1	1	1	1	
12-3	DB62-40092A	VALVE-SERVICE	VALVE 3/4"	1	1	-	-	
	DB62-00450A	VALVE-SERVICE	VALVE 3/4"	-	-	1	1	
13	DB90-10582A	ASSY-CABI OUT SD	SC-91438T	1	1	1	1	
14	DB90-10085B	ASSY-CABI OUT UP SD	SC-91438T	1	1	1	1	
15	DB72-00236A	INSULATION-SOUND	T12	-	1	-	1	
	DB72-00237A		T12	1	-	1	-	
16	DB95-10057J	ASSY-COMP-SCROLL	ZR61KC-TFD, SCROLL	-	1	-	-	
	DB95-10057X	ASSY-COMP-SCROLL	ZR61KCE-TFD, SCROLL	-	-	-	1	
	DB95-10057H	ASSY-COMP-SCROLL	ZR47KC-TFD, SCROLL	1	-	-	-	
	DB95-10057W	ASSY-COMP-SCROLL	ZR47KCE-TFD, SCROLL	-	-	1	-	
17	DB73-10023A	GROMMET-COMP	EPDM	4	4	4	4	
18	DB96-00313A	ASSY COND-UP	UCH4400G	-	1	-	1	
	DB96-00357A		UCH3600G	1	-	1	-	
19	DB96-00312A	ASSY COND-LOW	UCH4400G	-	1	-	-	
	DB96-00313A	ASSY COND-LOW	CH44CA	-	-	-	1	
	DB96-00358A	ASSY COND-LOW	UCH3600G	1	-	1	-	
20	DB90-00194A	ASSY-PLATE TOP	SC-91438T	1	1	1	1	
21	DB63-30110C	SCREEN-GUARD	P.E.H 100%	1	1	1	1	
22	DB67-90017B	HANDLE	ABS	2	2	2	2	
23	DB32-00021B	THERMISTOR	103AT, 10KOHM	1	1	1	1	
24	DB95-30013F	ASSY HEATER-COMP	SCH80W	-	1	-	1	
	DB95-30013G		SCH40W	1	-	1	-	
25	PD-DH3200-S2	ASSY PCB PARTS:ADH44	OUTDOOR PCB	1	1	1	1	
26	DB96-00542A	ASSY TUBE DRYER	ASSY	-	-	1	1	

MEMO