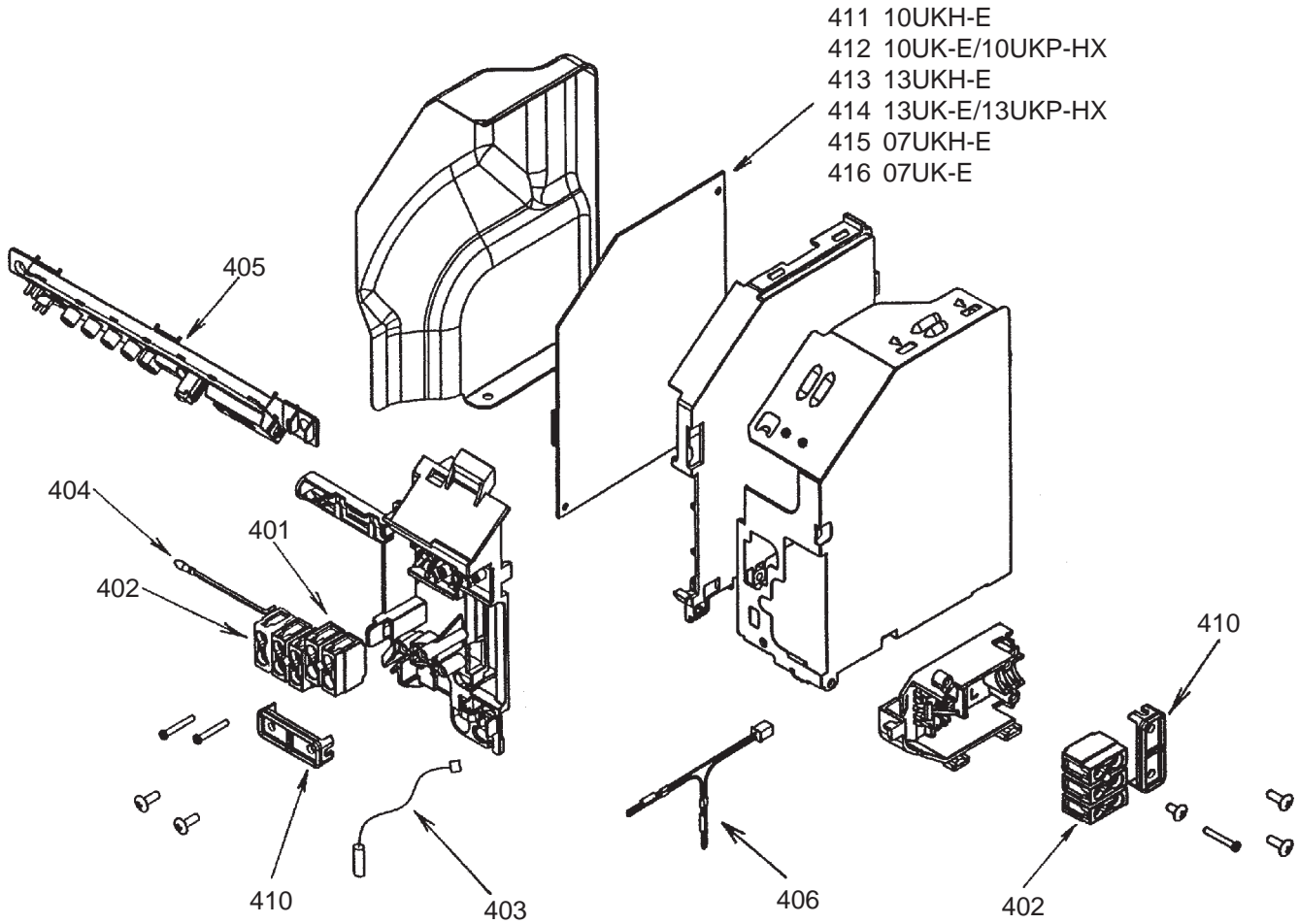


11. EXPLODED VIEWS AND PARTS LIST

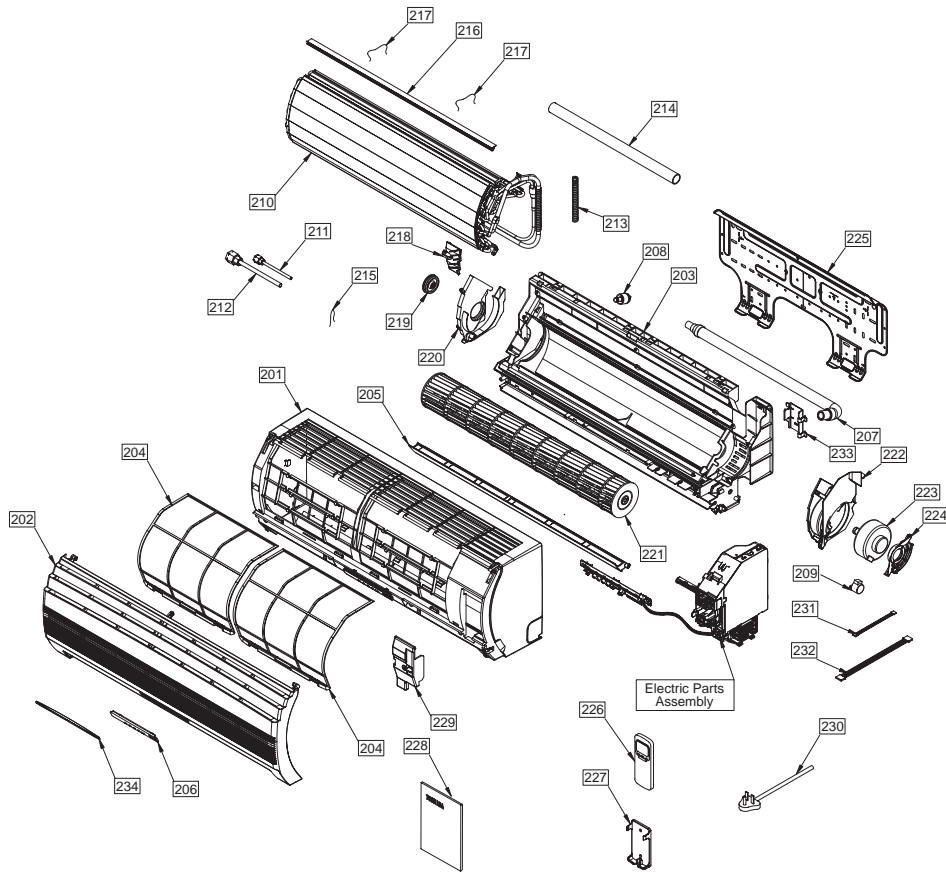
11-1. Indoor Unit (E-Parts Assy)



Location No.	Part No.	Description
401	43T60001	Terminal Block, 2P 2P AC300V, 20A
402	43T60002	Terminal Block, 3P 3P AC300V, 20A
403	43T69004	Sensor, Heat Exchanger 10kΩ 25°C
404	43T69005	Sensor, Thermostat 10kΩ 25°C
405	43T69079	P.C. Board ASSY, WRS-LED MCC-861
406	43T60077	Fuse, Temperature, 77°C
410	43T62003	Cord Clamp
411	43T69075	P.C. Board (RAS-10UKH-E)

Location No.	Part No.	Description
412	43T69076	P.C. Board (RAS-10UK-E / RAS-10UKP-HX)
413	43T69077	P.C. Board (RAS-13UKH-E)
414	43T69078	P.C. Board (RAS-13UK-E / RAS-13UKP-HX)
415	43T69323	P.C. Board (RAS-07UKH-E)
416	43T69324	P.C. Board (RAS-07UK-E)

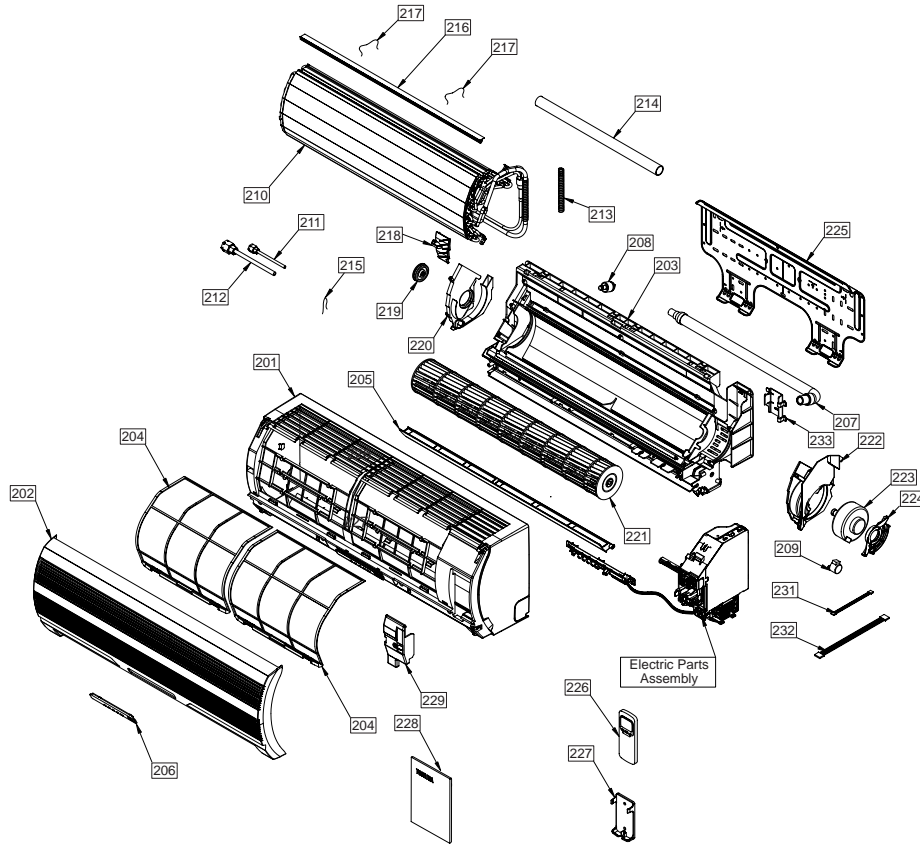
11-2. Indoor Unit (RAS-13UKP-HX, RAS-10UKP-HX)



Location No.	Part No.	Description
201	43T00352	Front Panel Assy
202	43T09308	Inlet Grille Assy
203	43T03302	Back Body Assy
204	43T80301	Air Filter
205	43T09309	Horizontal Louver
206	43T08351	LED Panel Assy
207	43T70002	Drain Hose
208	43T79301	Cap Drain
209	43T21321	Motor, Louver, MP24GA, DC 12V
210	43T44314	Refrigeration Cycle Assy (RAS-13UKP-HX)
210	43T44315	Refrigeration Cycle Assy (RAS-10UKP-HX)
211	43T47006	Pipe, Delivery Ø6.35
212	43T47005	Pipe, Suction Ø9.52 (RAS-10UKP-HX)
212	43T47016	Pipe, Suction Ø12.70 (RAS-13UKP-HX)
213	43T49009	Spring
214	43T11302	Pipe Shield
215	43T19302	Holder Sensor

Location No.	Part No.	Description
216	43T49302	Plate of EVA Seal
217	43T49006	Holder, Plate EVA Seal
218	43T79302	Guide Drain
219	43T22002	Bearing
220	43T39301	Base, Bearing
221	43T20302	Cross Flow Fan
222	43T39302	Band Motor-L
223	43T21322	Motor, Fan, MMF-240-20-4A-1, AC 220-240V
224	43T39303	Band Motor-R
225	43T82301	Plate, Installation
226	43T69307	Remote Controller, Wireless WC-H1UE
227	43T83003	Holder Remote Controller
228	43T85328	Owner's Manual
229	43T62302	Terminal Cover
230	43T60318	Cord Power
231	43T60317	Cord Motor Louver
232	43T60316	Cord Motor Fan
233	43T07303	Holder Pipe
234	43T01004	Mark

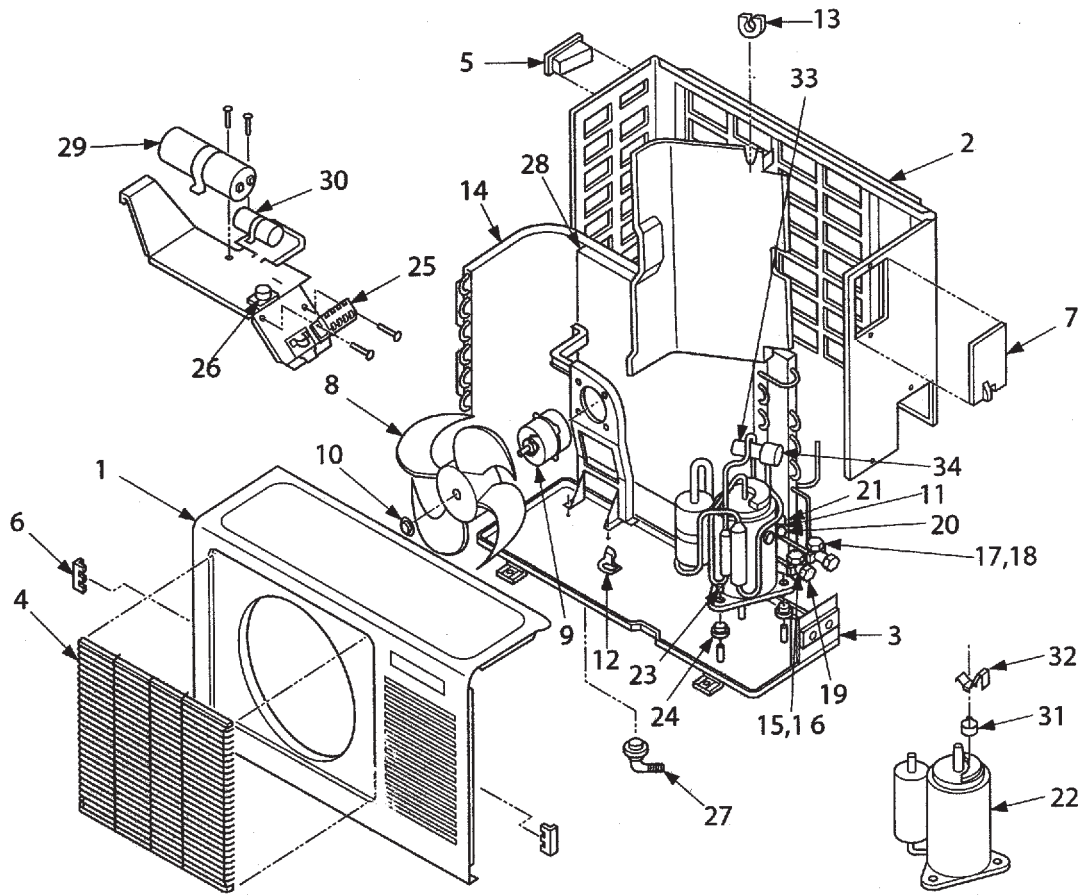
**11-3. Indoor Unit (RAS-13UKH-E, RAS-10UKH-E, RAS-07UKH-E
RAS-13UK-E, RAS-10UK-E, RAS-07UK-E)**



Location No.	Part No.	Description
201	43T00352	Front Panel Assy
202	43T09315	Inlet Grille Assy
203	43T03302	Back Body Assy
204	43T80301	Air Filter
205	43T09309	Horizontal Louver
206	43T08353	LED Panel Assy (RAS-13UKH-E, RAS-10UKH-E, RAS-07UKH-E)
206	43T08352	LED Panel Assy (RAS-13UK-E, RAS-10UK-E, RAS-07UK-E)
207	43T70002	Drain Hose
208	43T79301	Cap Drain
209	43T21321	Motor, Louver, MP24GA, DC 12V
210	43T44312	Refrigeration Cycle Assy (RAS-10UKH-E, RAS-07UKH-E, RAS-10UK-E, RAS-07UK-E)
210	43T44313	Refrigeration Cycle Assy (RAS-13UKH-E)
210	43T44314	Refrigeration Cycle Assy (RAS-13UK-E)
211	43T47006	Pipe, Delivery Ø6.35
212	43T47005	Pipe, Suction Ø9.52 (RAS-10UKH-E, RAS-07UKH-E, RAS-10UK-E, RAS-07UK-E)
212	43T47016	Pipe, Suction Ø12.70 (RAS-13UKH-E, RAS-13UK-E)
213	43T49009	Spring
214	43T11301	Pipe Shield (RAS-10UKH-E, RAS-07UKH-E, RAS-10UK-E, RAS-07UK-E)
214	43T11302	Pipe Shield (RAS-13UKH-E, RAS-13UK-E)

Location No.	Part No.	Description
215	43T19302	Holder Sensor
216	43T49302	Plate of EVA Seal
217	43T49006	Holder, Plate EVA Seal
218	43T79302	Guide Drain
219	43T22002	Bearing
220	43T39301	Base, Bearing
221	43T20302	Cross Flow Fan
222	43T39302	Band Motor-L
223	43T21322	Motor, Fan, MMF-240-20-4A-1, AC 220-240V
224	43T39303	Band Motor-R
225	43T82301	Plate, Installation
226	43T69318	Remote Controller, Wireless WH-K1UE (RAS-13UKH-E, RAS-10UKH-E, RAS-07UKH-E)
226	43T69308	Remote Controller, Wireless WC-K1UE (RAS-13UK-E, RAS-10UK-E, RAS-07UK-E)
227	43T83003	Holder Remote Controller
228	43T85343	Owner's Manual (RAS-13UKH-E, RAS-10UKH-E, RAS-07UKH-E)
228	43T85329	Owner's Manual (RAS-13UK-E, RAS-10UK-E, RAS-07UK-E)
229	43T62302	Terminal Cover
231	43T60317	Cord Motor Louver
232	43T60316	Cord Motor Fan
233	43T07303	Holder Pipe

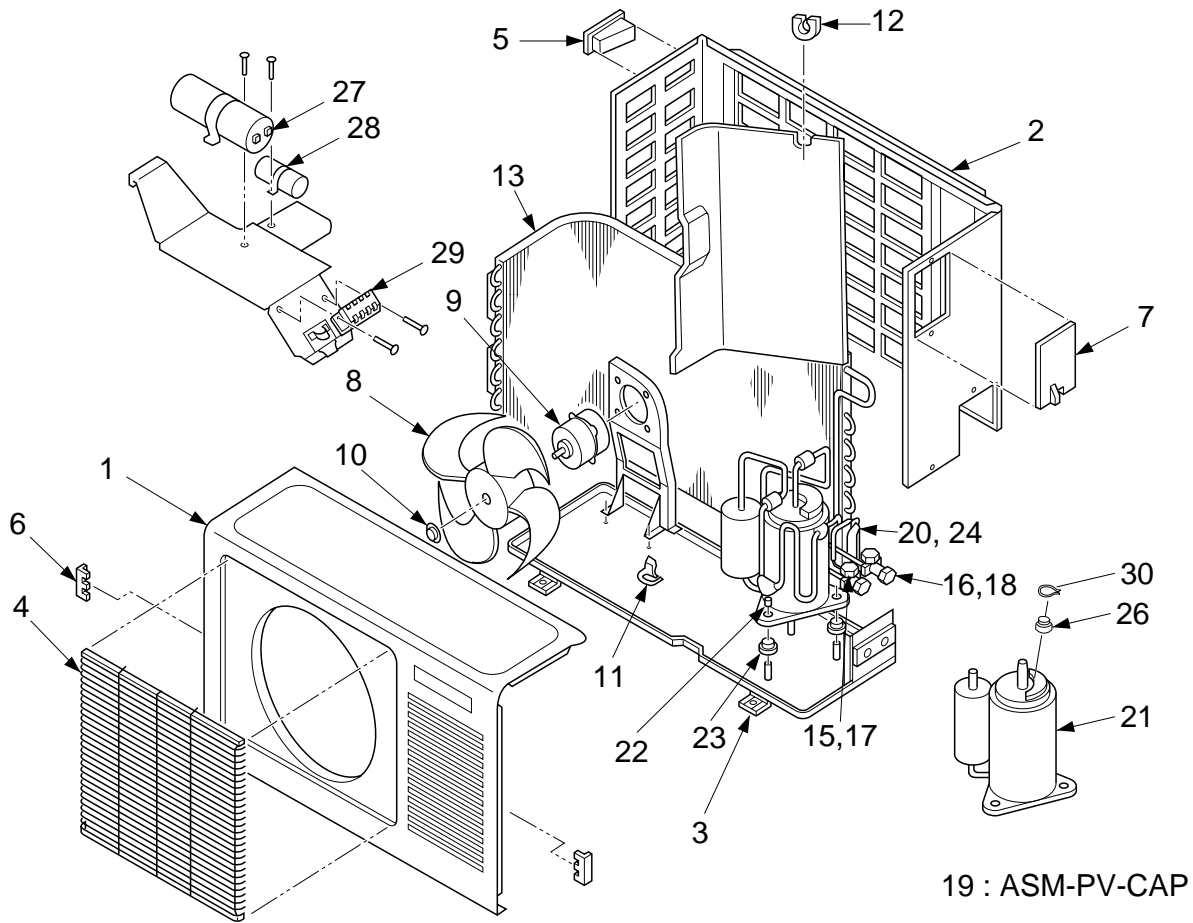
11-4. Outdoor Unit (RAS-13UAH-E)



Location No.	Part No.	Description
01	43005144	Cabinet, Front
02	43005143	Cabinet, Back
03	43042446	Base
04	43T19007	Guard-Fan
05	43T19005	Handle
06	43T19002	Stopper, Guard
07	43T62007	Cover, E-Parts
08	43020302	Propeller-Fan, Mix-Flow, 410 DIA
09	43T21319	Motor, Fan
10	43T47001	Flange, Nut
11	43T46005	Valve, Check
12	43T63004	Lead-Wire-Cramp
13	43T96001	Bushing
14	43043609	Condenser
15	43T46311	Valve, Packed 6.35
16	43T47020	Bonnet, 6.35 DIA
17	43T46019	Valve, Packed 12.7

Location No.	Part No.	Description
18	43T47018	Bonnet, 12.7 DIA
19	43T47029	ASM-PV-CAP
20	43T47308	Tube, Capillary, 1.0 DIA
21	43T47014	Tube, Capillary, 1.7 DIA
22	43041764	Compressor, PH170T2-4L2, AC
23	43T97001	NUT-W-FW
24	43T49008	Cushion, Rubber
25	43060049	Terminal Block, 5P
26	43054398	Relay, Over Load
27	43T79004	Nipple, Drain
28	43043610	Condenser, Sub
29	43T55304	MF-Capacitor, 35 μ F 370V
30	43T55009	MF-Capacitor, 1.5 μ F 500V
31	43T50002	Thermostat, Bimetal
32	43T63005	Holder, Thermostat, Bimetal
33	43T46482	4 way Valve
34	43T49030	Solenoid, Coil

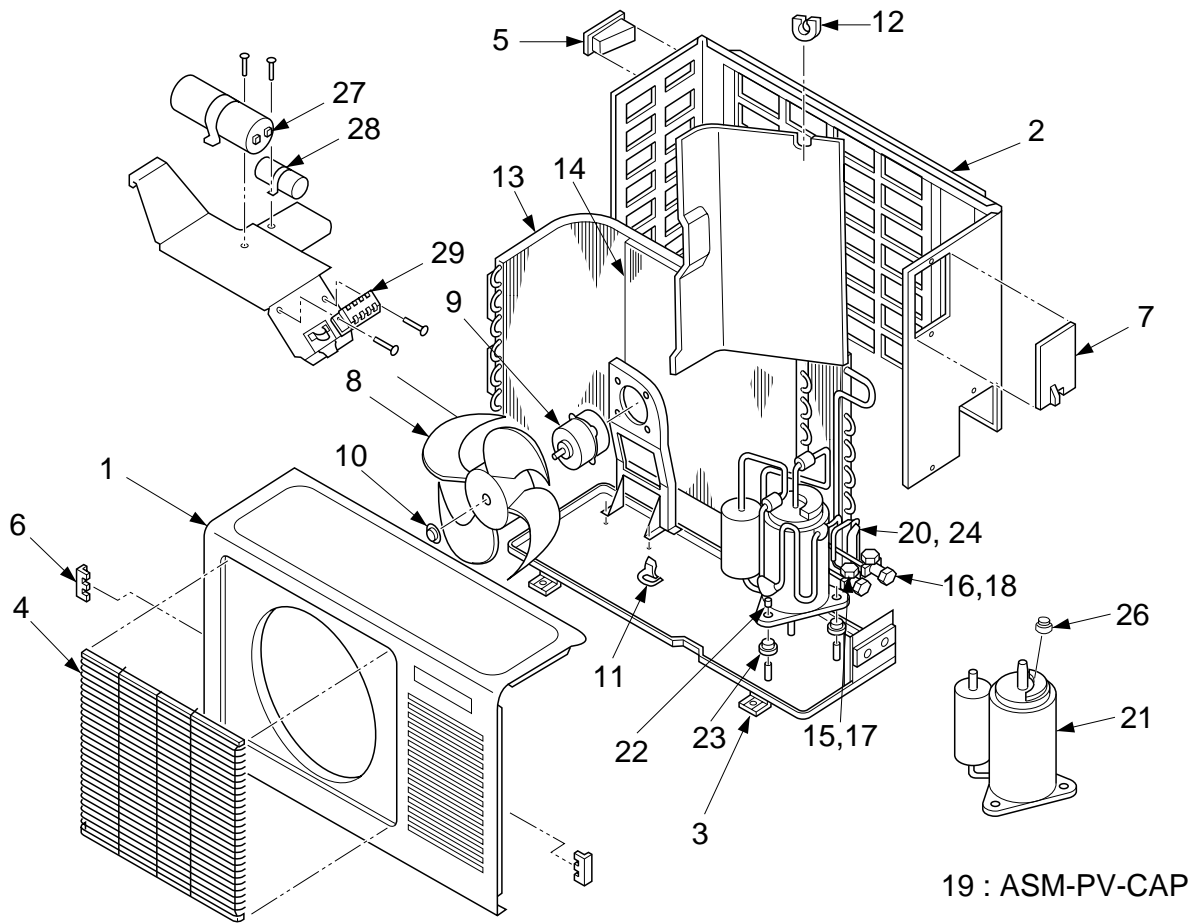
11-5. Outdoor Unit (RAS-13UA-E)



Location No.	Part No.	Description
01	43005144	Cabinet, Front
02	43005143	Cabinet, Back
03	43042446	Base
04	43T19007	Guard-Fan
05	43T19005	Handle
06	43T19002	Guard-Stopper
07	43T62007	Cover, E-Parts
08	43020302	Fan, Propeller
09	43T21323	Motor, Fan
10	43T47001	Nut, Flange
11	43T63004	Lead-Wire-Cramp
12	43T96001	Bushing
13	43043599	Condenser
15	43T46311	Valve, Packed 6.35

Location No.	Part No.	Description
16	43T46019	Valve, Packed 12.7
17	43T47020	Bonnet, 6.35 DIA
18	43T47018	Bonnet, 12.7 DIA
19	43T47029	ASM-PV-CAP
20	43T47014	Tube, Capillary, 1.7 DIA
21	43041762	Compressor, PH160T2-4L2, AC
22	43T97001	NUT-W-FW
23	43T49008	Cushion, Rubber
24	43T47322	Strainer
26	43T54301	Relay, Over Load
27	43T55304	MF-Capacitor, 35 μ F 370V
28	43T55009	MF-Capacitor, 1.5 μ F 500V
29	43T60006	Terminal-3P
30	43T63001	Holder, OL-Relay

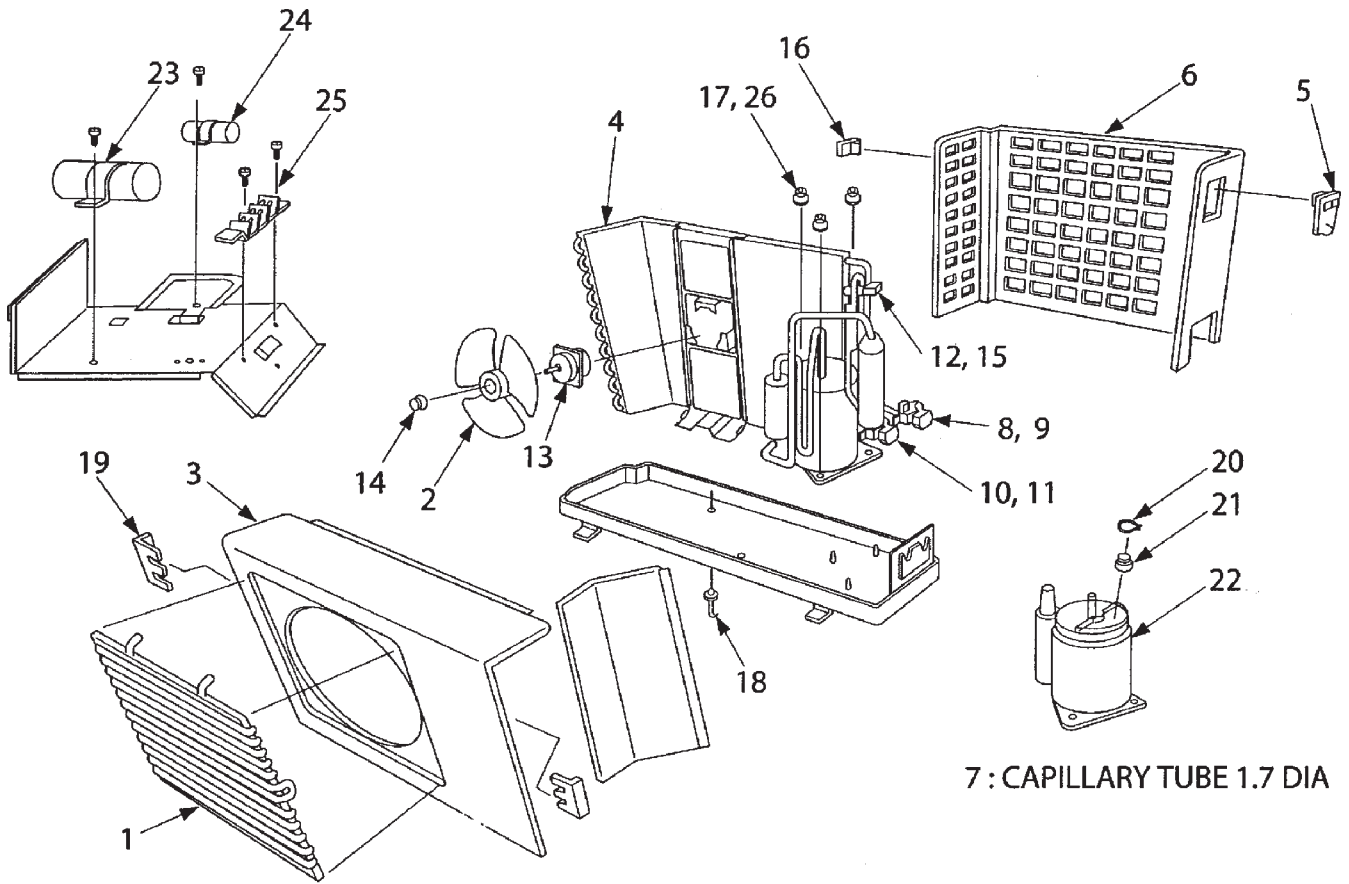
11-6. Outdoor Unit (RAS-13UA-HX)



Location No.	Part No.	Description
01	43005144	Cabinet, Front
02	43005143	Cabinet, Back
03	43042446	Base
04	43T19007	Guard-Fan
05	43T19005	Handle
06	43T19002	Guard-Stopper
07	43T62007	Cover, E-Parts
08	43020302	Fan, Propeller
09	43T21319	Motor, Fan
10	43T47001	Nut, Flange
11	43T63004	Lead-Wire-Cramp
12	43T96001	Bushing
13	43043599	Condenser
14	43T43016	Condenser, Sub

Location No.	Part No.	Description
15	43T46311	Valve, Packed 6.35
16	43T46019	Valve, Packed 12.7
17	43T47020	Bonnet, 6.35 DIA
18	43T47018	Bonnet, 12.7 DIA
19	43T47029	ASM-PV-CAP
20	43T47014	Tube, Capillary, 1.7 DIA
21	43T41306	Compressor, RM5515FNE96, AC
22	43T97001	NUT-W-FW
23	43T49008	Cushion, Rubber
24	43045082	Dryer
26	43T54301	Relay, Over Load
27	43T55306	MF-Capacitor, 30 μ F 370V
28	43T55007	MF-Capacitor, 2 μ F 500V
29	43T60006	Terminal-3P

11-7. Outdoor Unit (RAS-10UAH-E)

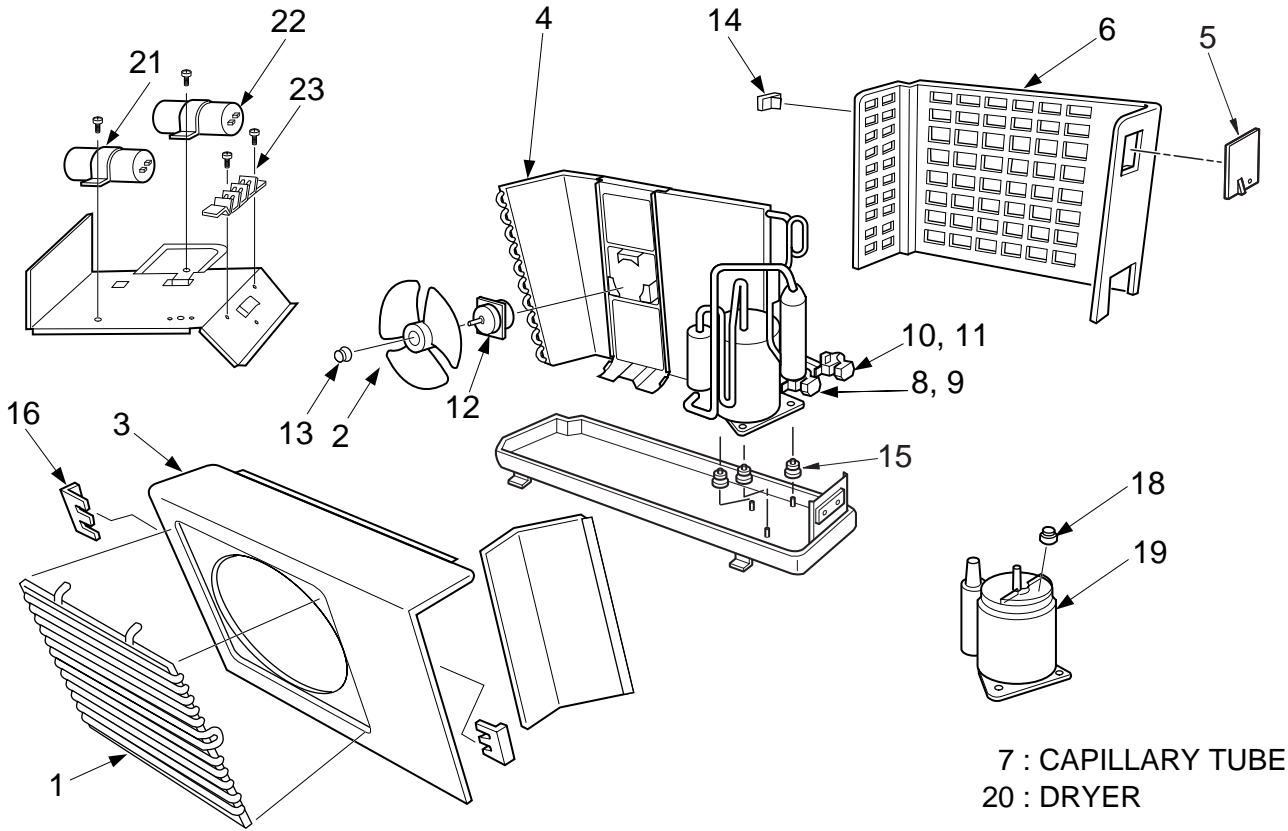


7 : CAPILLARY TUBE 1.7 DIA

Location No.	Part No.	Description
01	43T19001	Guard, Fan
02	43T20001	Fan, Propeller
03	43005037	Cabinet, Front
04	43T43001	Condenser
05	43T62007	Cover, E-Part
06	43T00032	Cabinet, Back
07	43T47014	Tube, Capillary, 1.7 DIA
08	43T46017	Valve, Packed 9.52
09	43T47021	Bonnet 9.5 DIA
10	43T46311	Valve, Packed 6.35
11	43T47020	Bonnet, 6.35 DIA
12	43T46312	4 way valve
13	43T21320	Motor, Fan

Location No.	Part No.	Description
14	43T47001	Nut, Flange
15	43T49030	Solenoid Coil
16	43T19005	Handle
17	43T49001	Cushion, Rubber
18	43T79001	Nipple, Drain
19	43T19002	Stopper, Guard
20	43T63001	Holder, OL-Relay
21	43054403	Relay, Over Load
22	43T41400	Compressor, PH120T1-4C
23	43T55305	MF-Capacitor, 25 μ F 370V
24	43T55009	MF-Capacitor, 1.5 μ F 500V
25	43060049	Terminal Block, 5P
26	43T97001	NUT-W-FW

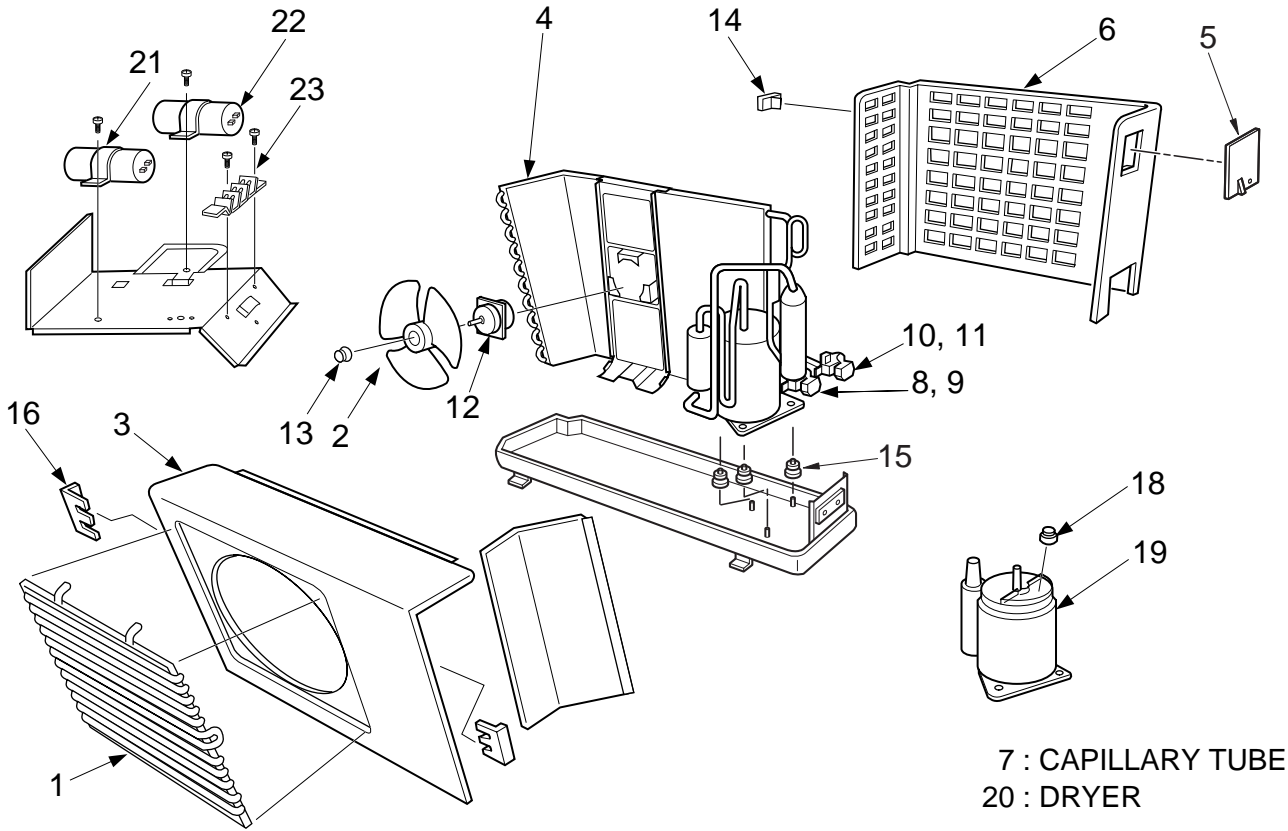
11-8. Outdoor Unit (RAS-10UA-E)



Location No.	Part No.	Description
01	43T19001	Guard, Fan
02	43T20001	Fan, Propeller
03	43005037	Cabinet, Front
04	43T43003	Condenser
05	43T62007	Cover, E-Parts
06	43T00032	Cabinet, Back
07	43T47008	Tube, Capillary, 1.5 DIA
08	43T46311	Valve, Packed 6.35
09	43T47020	Bonnet, 6.35 DIA
10	43T00347	Valve, Packed 9.52
11	43T47021	Bonnet, 9.52 DIA

Location No.	Part No.	Description
12	43T21320	Motor, Fan
13	43T47001	Nut, Flange
14	43T19005	Handle
15	43T49001	Cushion, Rubber
16	43T19002	Guard, Stopper
18	43T54303	Relay, Over Load
19	43T41405	Compressor, 2PS146D5AB02
20	43045073	Dryer
21	43T55305	MF-Capacitor, 25 μ F 370V
22	43T55009	MF-Capacitor, 1.5 μ F 500V
23	43T60006	Terminal-3P

11-9. Outdoor Unit (RAS-10UA-HX)



Location No.	Part No.	Description
01	43T19001	Guard, Fan
02	43T20001	Fan, Propeller
03	43005037	Cabinet, Front
04	43T43022	Condenser
05	43T62007	Cover, E-Parts
06	43T00032	Cabinet, Back
07	43T47008	Tube, Capillary, 1.5 DIA
08	43T46311	Valve, Packed 6.35
09	43T47020	Bonnet, 6.35 DIA
10	43T00347	Valve, Packed 9.52
11	43T47021	Bonnet, 9.52 DIA

Location No.	Part No.	Description
12	43T21323	Motor, Fan
13	43T47001	Nut, Flange
14	43T19005	Handle
15	43T49001	Cushion, Rubber
16	43T19002	Guard, Stopper
18	43T54303	Relay, Over Load
19	43T41316	Compressor, RM5510GNE94
20	43045073	Dryer
21	43T55305	MF-Capacitor, 25 μ F 370V
22	43T55009	MF-Capacitor, 1.5 μ F 500V
23	43T60006	Terminal-3P