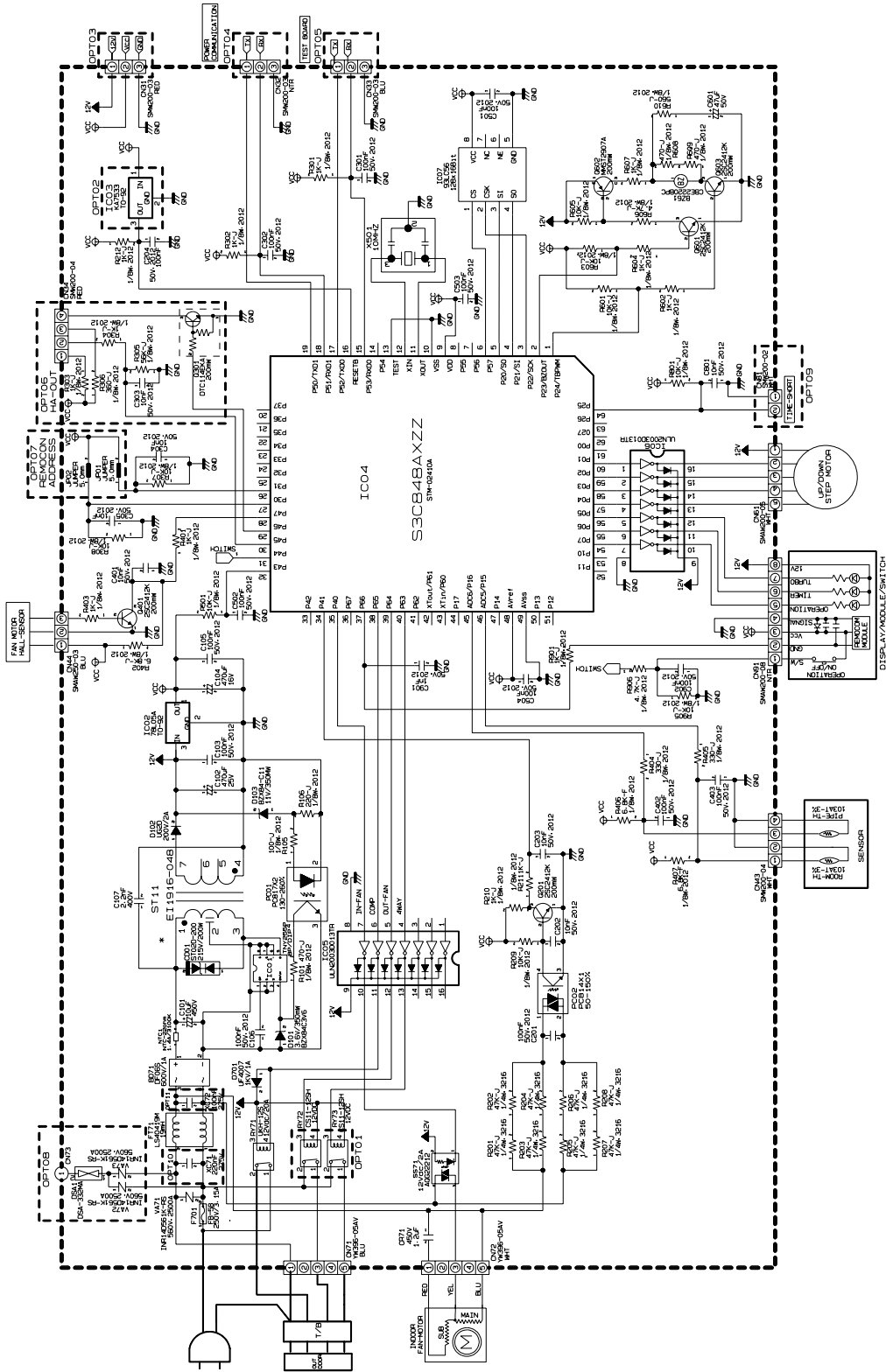


6. Schematic Diagram

6-1 Indoor Unit



This Document can not be used without Samsung's authorization.

MEMO

MEMO