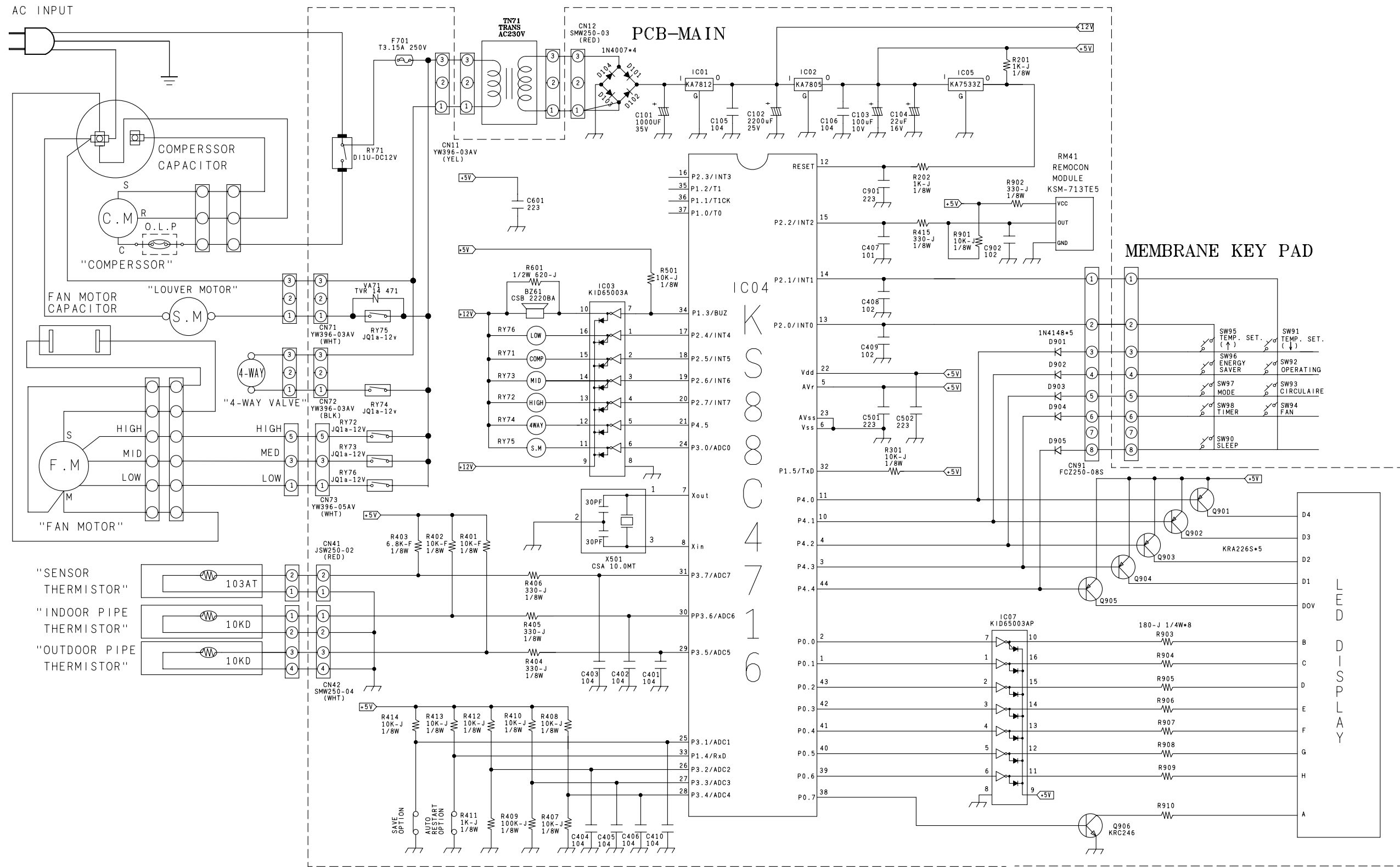


10. Schematic Diagrams

10-1 Main PCB



10-3 Remote Control

