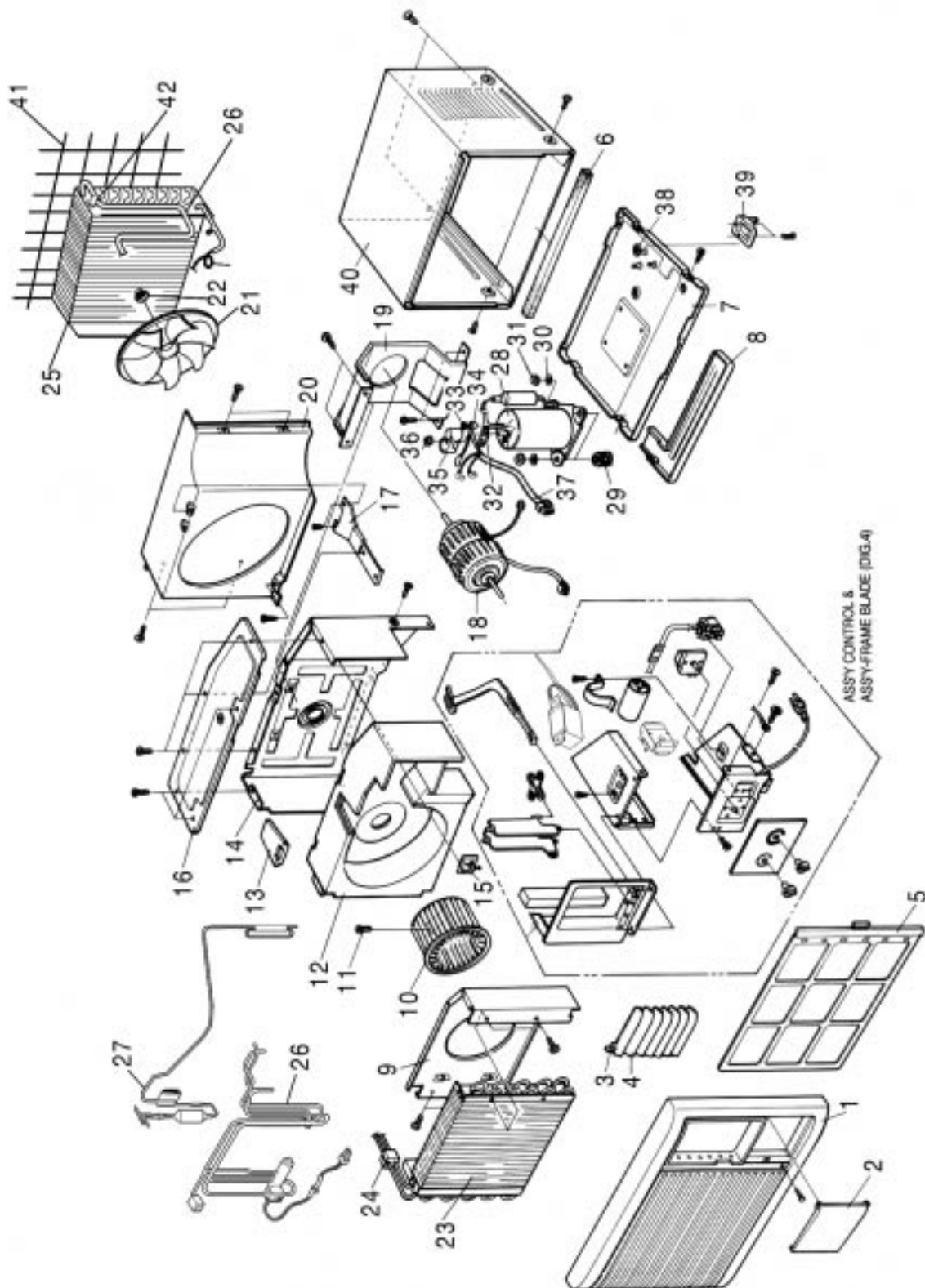


## 6. Exploded View and Parts List

### 6-1 Main unit

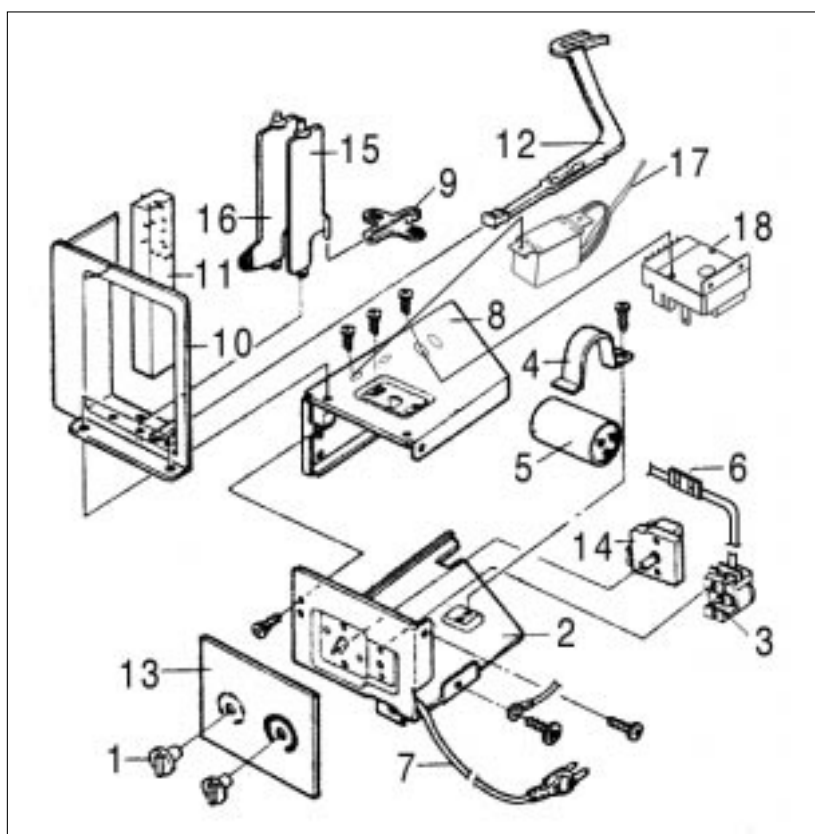


■ Part List

| No. | Code No.    | Description         | Specification        | Q'TY     | Remarks |
|-----|-------------|---------------------|----------------------|----------|---------|
|     |             |                     |                      | AWH090ZE |         |
| 1   | DB92-10006N | ASSY-GRILLE         | HIPS, SC-94445R      | 1        |         |
| 2   | DB64-20036C | DOOR-CONTROL        | ABS, SC-94445R       | 1        |         |
| 3   | DB66-60010B | LINK-BLADE, H       | ABS, SC-94445R       | 1        |         |
| 4   | DB66-30037B | BLADE-H             | ABS, SC-94445R       | 7        |         |
| 5   | DB63-30021B | GUARD-AIR FILTER    | ABS, SC-94445R       | 1        |         |
| 6   | DB72-10102G | SEAL CABI FRONT     | PO-PU                | 1        |         |
| 7   | DB90-20193A | ASSY-BASE PAN       | SECC-P               | 1        |         |
| 8   | DB63-40009A | TRAY-DRAIN          | 31-FO PS, WHT        | 1        |         |
| 9   | DB67-30012A | PARTITION-E/CASING  | SGCC-M, T0.8         | 1        |         |
| 10  | DB67-50051A | BLOWER              | ABS                  | 1        |         |
| 11  | DB60-20019A | BOLT-SPECIAL        | M6,L11,ZPC3,S45C     | 1        |         |
| 12  | DB61-10012A | CASE-EVAP           | FOAM-PS              | 1        |         |
| 13  | DB63-10121A | COVER-EVAP          | FOAM-PS              | 1        |         |
| 14  | DB67-30013B | PARTITION           | SGCC-M(G90-U), T1.0  | 1        |         |
| 15  | DB75-10001A | COVER DAMPER        | PP                   | 1        |         |
| 16  | DB63-10082A | COVER-EVAP          | SGCC-M, T22          | 1        |         |
| 17  | DB67-90003A | REINF-PARTITION     | SGCC-M, T1.0         | 1        |         |
| 18  | DB95-20134C | ASSY-MOTOR          | AMAFS-040AXEA        | 1        | ▲       |
| 19  | DB61-30484A | SUPPORT-MOTOR       | SGCC-M,T1.2          | 1        |         |
| 20  | DB61-10029A | CASE-COND           | PP, BLK              | 1        |         |
| 21  | DB67-50031B | FAN-PROPELLER       | AS+G/F(20%)          | 1        |         |
| 22  | DB60-30004A | NUT-FLANGE          | M6,-,SM20C,NTR       | 1        |         |
| 23  | DB96-40172A | ASSY-EVAPORATOR     | 2x12 SLIT 1.4        | 1        |         |
| 24  | DB73-20047C | RUBBER-TUBE         | EPDM, -, -, -        | 1        |         |
| 25  | DB96-30270A | ASSY-CONDENSER      | 2x13 WAVE 1.5        | 1        |         |
| 26  | DB62-31715A | TUBE-4WAY ASSY      | AWH090ZE             | 1        |         |
| 27  | DB62-40034A | VALVE-CHECK ASS'Y   | 1/2inch, 30KG/CM2G   | 1        |         |
| 28  | DB95-10065M | ASSY-COMP           | 44H092JW1E4          | 1        | ▲       |
| 29  | DB73-10004A | GROMMET-ISOLATOR    | EPDM                 | 3        |         |
| 30  | 6021-000124 | NUT-HEXAGON         | 1C,M8,ZPC(YEL),SM10C | 3        |         |
| 31  | DB60-50008A | WASHER-COMP         | ID8.5,OD24,T1.6,ZPC  | 3        |         |
| 32  | DB63-20002A | GASKET              | EPDM,TO.8            | 1        |         |
| 33  | DB67-60020A | SPRING-OLP          | STS304-WPA           | 1        |         |
| 34  | DB47-20008B | OLP                 | MRA12037-12007       | 1        | ▲       |
| 35  | DB63-10165A | COVER-TERMINAL      | NORYL                | 1        |         |
| 36  | DB60-30018A | NUT-FLANGE          | PI0.8,M5,SM20C       | 1        |         |
| 37  | DB93-50012E | ASSY-LEAD WIRE COMP | AWM1015 AWG16        | 1        | ▲       |
| 38  | DB63-10355A | CAP-DRAIN           | CR,T2,BLK            | 1        |         |
| 39  | DB67-20019A | DRAIN PAN OUT       | PP                   | 1        |         |
| 40  | DB90-10150C | ASSY-CABI           | AWH090ZE             | 1        |         |
| 41  | DB71-40001B | BAR STEEL           | HSWR,D2.5            | 1        |         |
| 42  | DB65-10010A | CLIP PIPE           | SECC-P               | 1        |         |

## 6-2 Ass'y Control

---



■ Part List

| No. | Code No.    | Description      | Specification        | Q'TY     | Remarks |
|-----|-------------|------------------|----------------------|----------|---------|
|     |             |                  |                      | AWH090ZE |         |
| 1   | DB64-50131A | KNOB-ASSY        | ABS, SC-94445R       | 2        |         |
| 2   | DB61-10030A | CASE-CONTROL LOW | SGCC-M,T0.8          | 1        |         |
| 3   | DB47-20067A | THERMOSTAT       | 13.8,3P              | 1        |         |
| 4   | DB65-10008A | CLIP-CAPACITOR   | SGCC-M,T0.8          | 1        |         |
| 5   | 2501-000353 | C-OIL            | 30/3uF, 370V         | 1        |         |
| 6   | DB61-40192A | HOLDER SENSOR    | PP BLK               | 1        |         |
| 7   | DB39-10062U | POWER CORD       | 250V, 10/16A         | 1        |         |
| 8   | DB61-10031A | CASE-CONTROL UP  | SGCC-M,T0.8          | 1        |         |
| 9   | DB66-60009B | LINK-BLADE V     | SC-94445R            | 1        |         |
| 10  | DB61-60022B | FRAME-BLADE      | ABS, SC-94445R       | 1        |         |
| 11  | DB72-10018C | SEAL FRAME       | FOPE+FOPU            | 1        |         |
| 12  | DB66-70011B | LEVER-DAMPER     | ABS, SC-94445R       | 1        |         |
| 13  | DB64-40042J | INLAY-SWITCH     | A1070S, T0.4,NO SWIN | 1        |         |
| 14  | DB34-90085A | SWITCH-SELECTOR  | ASSY, 5P             | 1        |         |
| 15  | DB66-30038B | BLADE-V          | ABS, SC-94445R       | 1        |         |
| 16  | DB66-30040B | BLADE-VH         | SC-94445R            | 1        |         |
| 17  | DB47-20068A | THERMOSTAT-DEICE | 3P                   | 1        |         |
| 18  | DB45-10009A | TIMER-DEFROST    | D2506, 50/60Hz       | 1        |         |