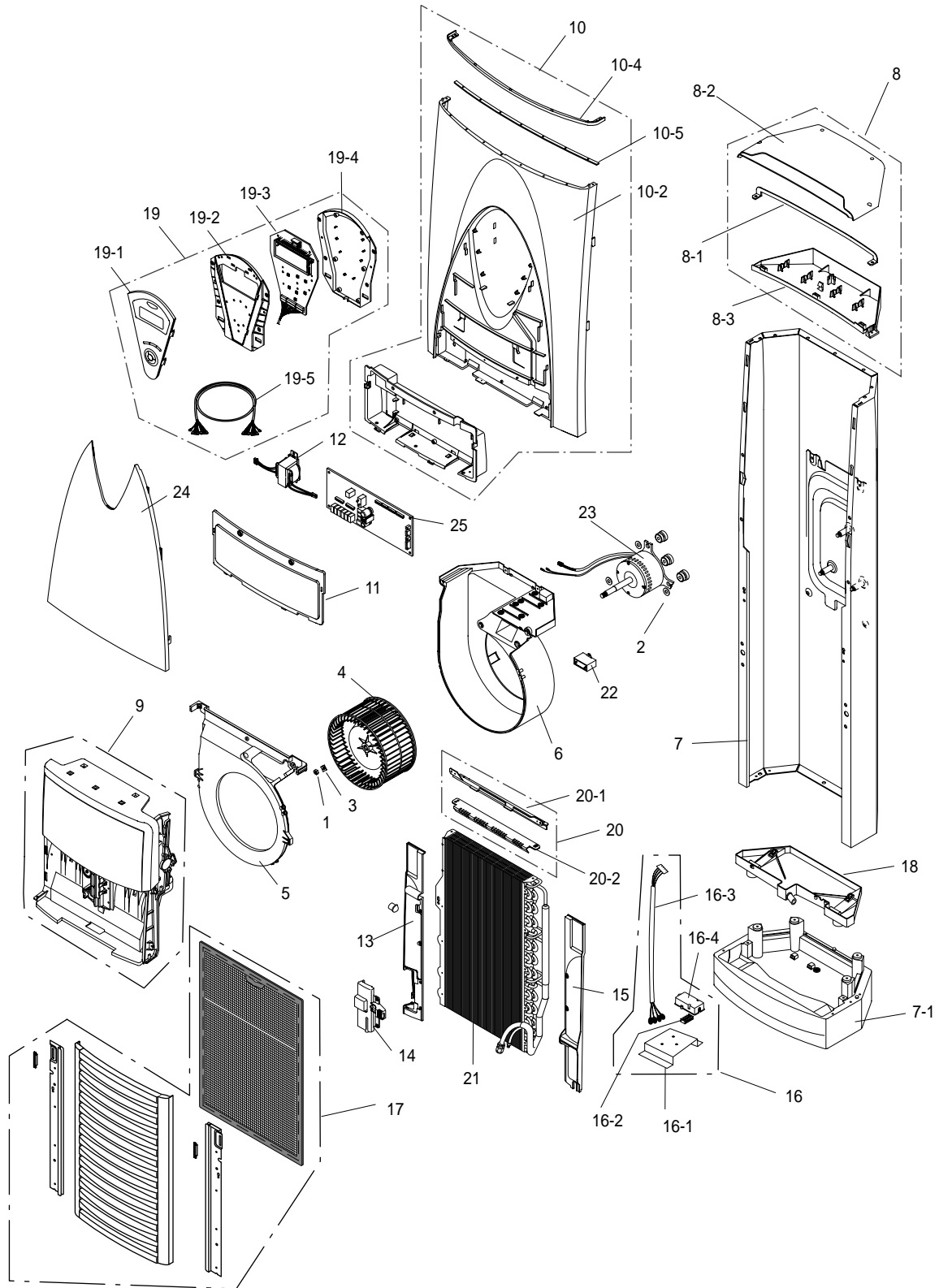


6. Exploded Views and Parts List

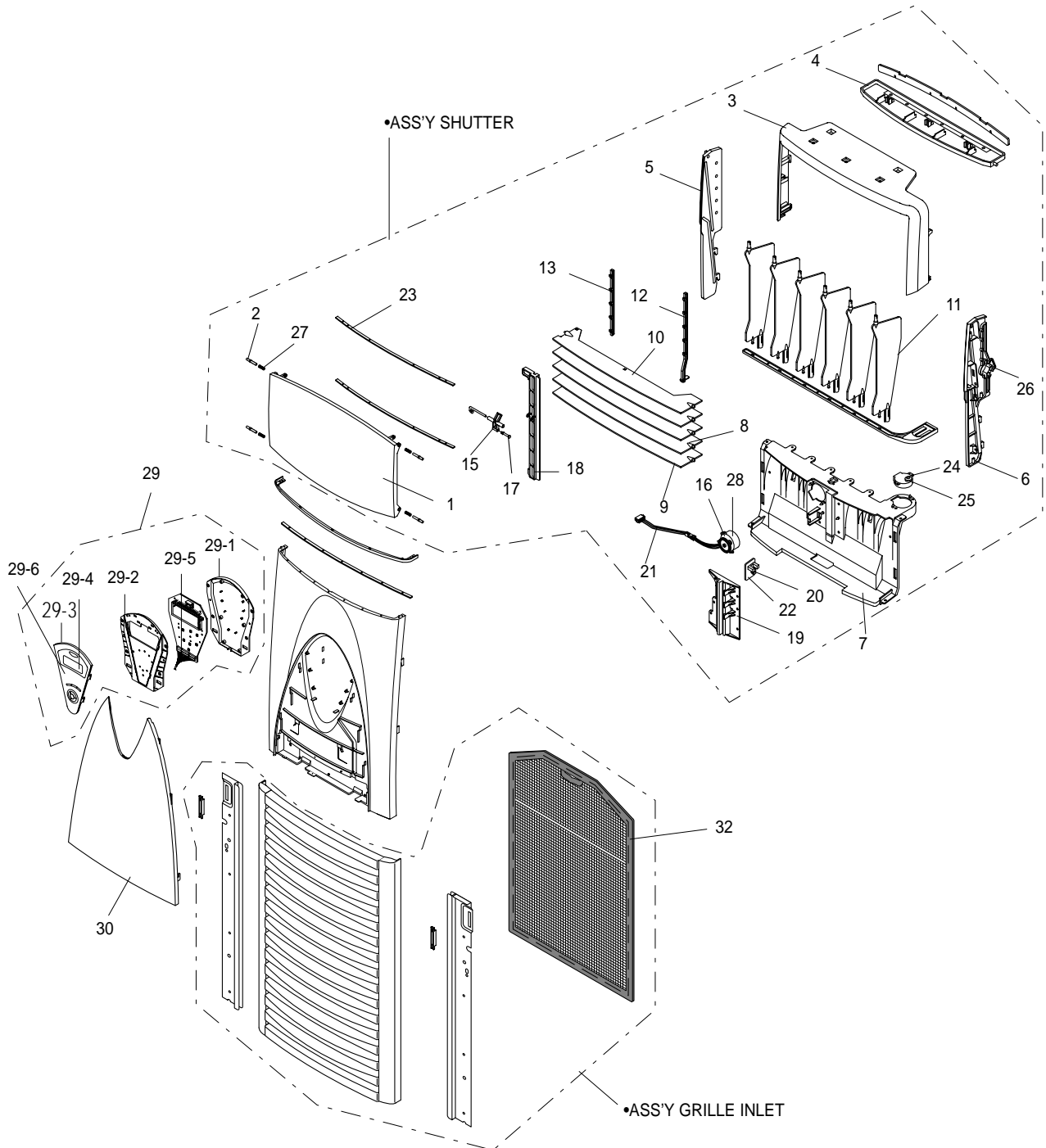
6-1 Indoor Unit



■ Parts List

No.	CODE NO	Description	Specification	Q'TY
1	DB60-30027A	NUT-BLOWER	HEX,2C,M12	1
2	DB60-30028A	NUT-WASHER	HEX,2C,M8,ZPC	3
3	DB60-50029A	WASHER BLOWER	PLAIN,ID12,7	1
4	DB67-50050G	BLOWER	ABS,OD324	1
5	DB67-40024B	DUCT-UP	ABS,BLK	1
6	DB67-40022D	DUCT-LOW	ABS,BLK	1
7	DB90-10667C	ASS'Y CABINET	SC-98471T	1
7-1	DB64-50147A	DIE-BOTTOM	HIPS,SC-98471R	1
8	DB90-40164C	ASS'Y COVER TOP	ASS'Y	1
8-1	DB61-30588A	SUPPORTER-COVER	SGCC-M,T1.2	1
8-2	DB63-10472A	COVER TOP	HIPS,T2.2,IVORY	1
8-3	DB63-10473A	COVER-TOP SUB	HIPS,T2.5,BLK	1
9	DB92-00043Q	ASS'Y SHUUTER	ASS'Y	1
10	DB90-40165M	ASS'Y COVER FRONT	ASS'Y	1
10-1	DB61-10187A	CASE MAIN PCB	HIPS,T2.5,BLACK	1
10-2	DB63-10476B	COVER FRONT	HIPS,T2.5,GRAY,VIRGIN	1
10-3	DB72-60076A	INSULATION FRONT	T5.0,W458,FORM-PE	1
10-4	DB64-50142A	DECORATION FRONT	ABS,T2.0	1
10-5	DB61-30595A	SUPPORTER FRONT	SGCC-M,T1.6	1
11	DB63-10479A	COVER MAIN PCB	HIPS,T2.0,BLACK	1
12	DB26-10079B	TRANS-POWER	13.6,230,50,16.7,1.2	1
13	DB63-10392D	COVER EVAP LF	ABS,T2.0	1
14	DB63-10398D	COVER CONNECTOR	ABS,T2.5	1
15	DB63-10392D	COVER EVAP RH	ABS,T2.0	1
16	DB90-00172A	ASS'Y BASE TERMINAL	ASS'Y	1
16-1	DB61-00246A	BASE TERMINAL	SECC-P,T1.2	1
16-2	DB65-40061A	TERMINAL BLOCK	5P	1
16-3	DB39-00186A	CONNECT WIRE IN	5P	1
16-4	DB63-10502A	COVER TERMINAL	HIPS,T2.2	1
17	DB92-10343D	ASS'Y GRILLE INLET	IVORY	1
18	DB92-70065D	ASS'Y PANEL DRAIN	SC-97473R	1
19	DB93-40872X	ASS'Y CONTROL PANEL LED	ASS'Y	1
19-1	DB64-70099F	PANEL CONTROL	ABS	1
19-2	DB61-40266A	HOLDER WINDOW	HIPS	1
19-3	DB93-00370C	ASS'Y PANEL PCB	ASS'Y	1
19-4	DB63-10478A	COVER WINDOW	HIPS	1
19-5	DB39-20504A	CONNECT WIRE PANEL	AWG#24	1
20	DB90-90023A	ASS'Y BRKT EVAP UP	ASS'Y	1
20-1	DB61-30597A	BRACKET EVAP UP	SECC-P	1
20-2	DB63-10437A	COVER EVAP UP	SECC-P	1
21	DB96-01112A	ASS'Y EVAP	ASS'Y	1
22	2301-001368	C-OIL	6.0uF,450V,BLK	1
23	DB31-00131B	ASS'Y MOTOR IN	ASS'Y	1
24	DB92-70098E	PANEL FRONT	HIPS,T2.0	1
25	PE-P6651-20	ASS'Y- PCB MAIN		1

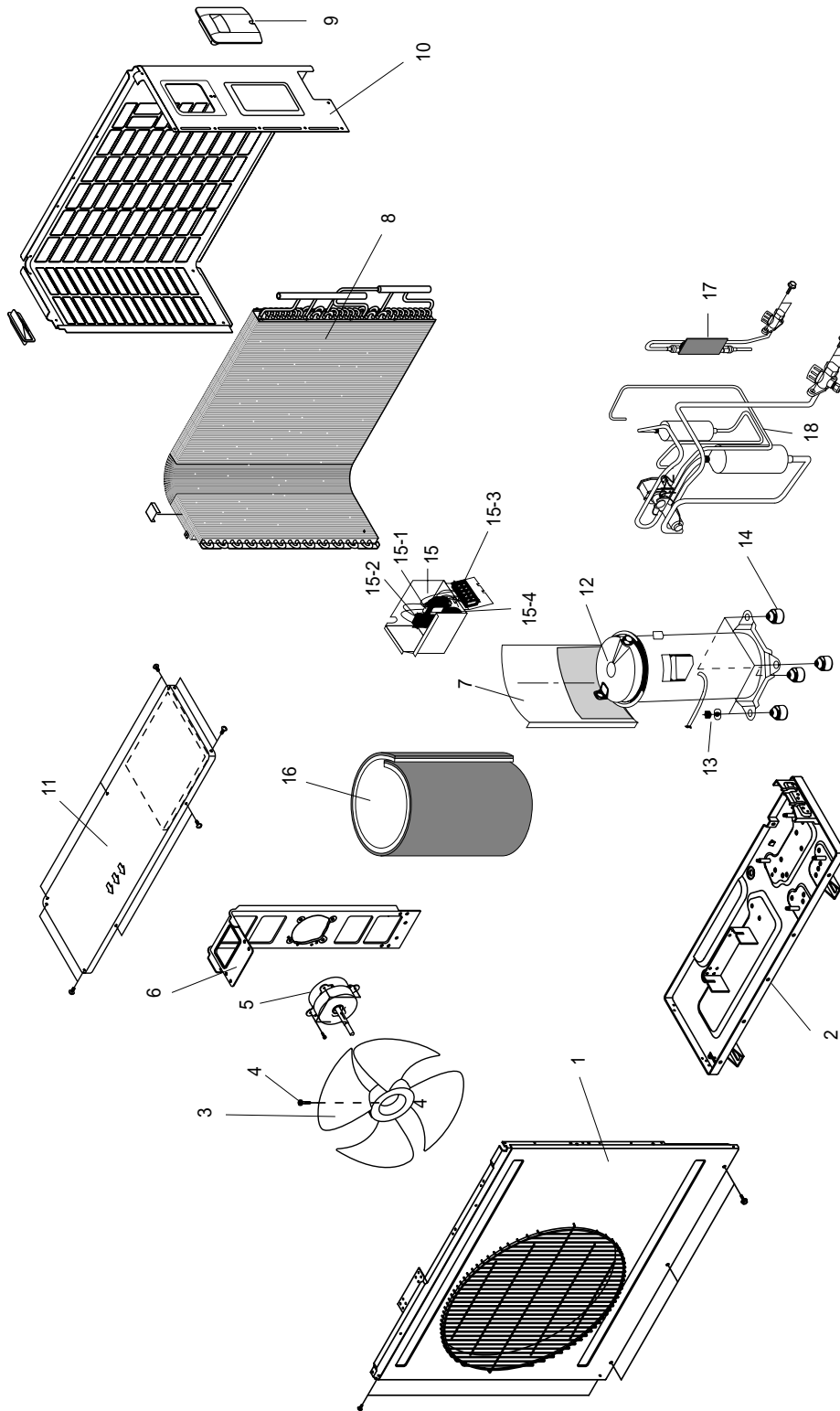
6-1-1 ASS'Y COVER FRONT



■ Parts List

No.	CODE NO	Description	Specification	Q'TY
	DB92-00043Q	ASS'Y SHUTTER	APH2840E,C-P/J	
1	DB64-70089D	PANEL-SHUTTER	HIPS(C9159), APH180HD/ED/CD	1
2	DB61-70058A	HINGE-RAIL	POM, ID 5.3, -, -	4
3	DB63-10477A	COVER-OUTLET	HIPS, T3.0, SC-98471R,VIRGIN,-	1
4	DB61-40279A	HOLDER-BLADE UP	HIPS, T2.5, BLACK, -	1
5	DB61-50109A	GUIDE-RAIL L	HIPS, T2.0, BLACK, -	1
6	DB61-50108A	GUIDE-RAIL R	HIPS, T2.5, BLACK, -	1
7	DB60-60124A	BODY-OUTLET	HIPS, T2.0, BLACK, -	1
8	DB66-30202A	BLADE-H LOW	HIPS, T3.0, -, -	1
9	DB66-30201A	BLADE-H MOTOR	HIPS, T3.0, -, -	1
10	DB66-30200A	BLADE-H	HIPS, T3.0, -, -	3
11	DB66-30199A	BLADE-V	HIPS, T3.0, BLACK, -	6
12	DB61-30593A	SUPPORTER-BLADE H	POM, T1.5, -, -, -	1
13	DB66-60030A	LINK-BLADE H	ABS, 66, -, -, AP-431P, -	1
14	DB66-60029A	LINK-BLADE V	POM, 36, -, -, AP-431P, -	1
15	DB66-60020A	LINK-SHUTTER	NYLON 66, -, -, -, AP-2037, -	1
16	DB66-70002A	GEAR-SHUTTER	-, -, -, -, -, -	1
17	DB61-70059A	HINGE-RACK	POM, ID 4.9, -, -	1
18	DB66-70028A	GEAR-RACK	ABS, -, -, -, AP-431P, -	1
19	DB61-50110A	GUIDE-RACK SILDE	POM, T2.5, BLACK, -	1
20	DB93-10552A	ASS'Y-PCB SUB(PHOTO)	AP-4350, SINSOR PCB	1
21	DB39-20511A	CONNECT WIRE-S-MOTOR	AWG#22, UL1007, 2101, -, -	1
22	DB39-20506A	CONNECT WIRE-SENSOR	AWG#22, UL1007, 2200, -, -	1
23	DB61-30478B	SUPPORTER-PANEL	SGCC-M, Z, T1.2, -, -, -	1
24	DB31-00053A	MOTOR-SYNCHRONOUS	M2LA49ZS42	1
25	DB66-00106A	CAM-BLADE	POM,T1.5,-,NATURAL	1
26	DB31-10154A	MOTOR-STEPPING	MSFCC20A01	1
27	DB67-10154A	SPRING-SHUTTER	COIL, SWC, 0.6, 6.2, -, -	1
28	DB31-10112L	MOTOR-GEARD	MSEDC10QB	1
29	DB93-40872X	ASS'Y-CONTROL PANEL	ASS'Y	1
29-1	DB63-10478A	COVER-WINDOW	HIPS, T2.0, BLACK	1
29-2	DB64-70090A	HOLDER WINDOW	HIPS	1
29-3	DB64-70099F	PANEL-CONTROL	ABS	1
29-4	DB64-70104B	PANEL-WINDOW LED	ABS	1
29-5	DB93-00370C	ASSY-PCB PANEL	ASS'Y	1
29-6	DB64-40182L	INLAY-WINDOW	PC, 0.25	1
30	DB92-70098E	ASS'Y PANEL WINDOW	HIPS, T2.0	1
32	DB74-00001B	FILTER-PRE	T3.0,AP-7010	1

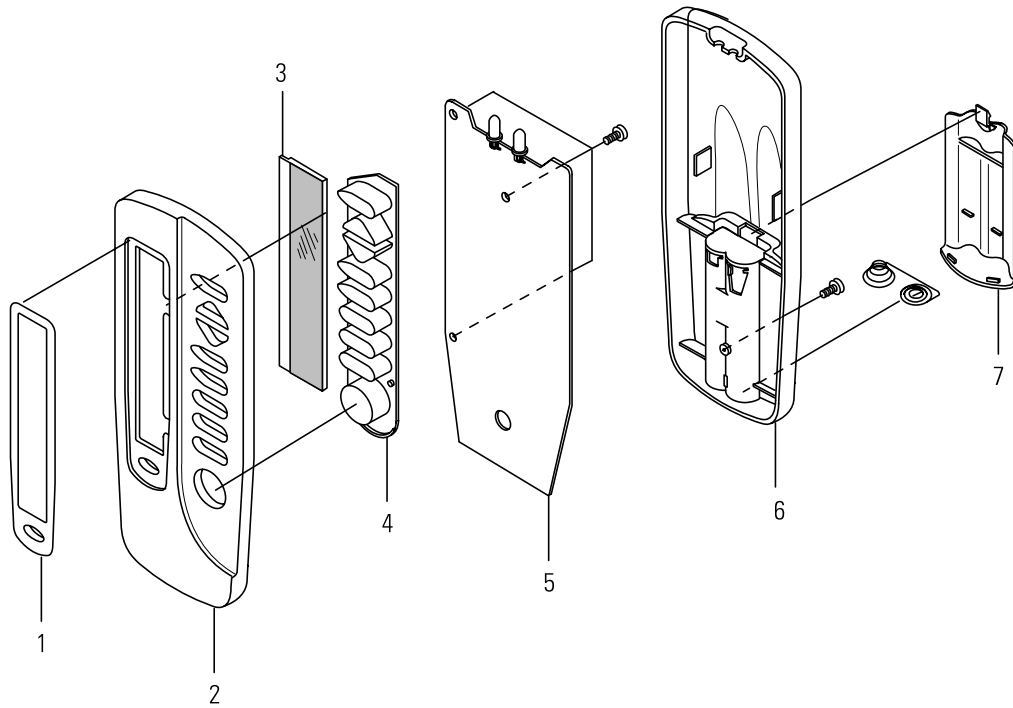
6-2-1 Outdoor unit



■ Parts List

No	CODE NO	Description	Specification	Q'TY
1	DB90-00228B	ASS'Y CABI FRONT	ASS'Y	1
2	DB90-20157K	ASS'Y BASE OUT	ASS'Y	1
3	DB67-50067A	FAN PROPELLER		1
4	DB60-20020A	BOLT SPECIAL	M8 L25	1
5	DB31-10123A	MOTOR FAN	OSME-716SRC	1
6	DB61-20093A	ASS'Y MOTOR B/K	ASS'Y	1
7	DB94-00069A	ASS'Y PARTITION	ASS'Y	1
8	DB96-00974A	ASS'Y COND	ASS'Y	1
9	DB90-40176B	ASS'Y COVER CONTROL	ASS'Y	1
10	DB90-00240A	CABI SIDE OUT	SECC-P	1
11	DB90-10616D	ASS'Y CABI UPPER	SECC-P	1
12	DB95-10243B	ASS'Y COMP SCROLL	ZR34K3-PFJ	1
13	DB60-30028A	NUT-WASHER	HEX,2C,M8	4
14	DB73-10023A	GROMMET-COMP	EDPM,T41	4
15	DB93-00907A	ASS'Y CONTROL OUT	ASS'Y	1
15-1	DB34-90057C	MAGNETIC CONTACTOR	45CG20ALB	1
15-2	2301-001379	C-OIL	450V 4 μ F	1
	2501-001240	C-OIL	450V 50 μ F	1
15-3	DB65-40022E	TERMINAL BLOCK	600V,35A,7P	1
15-4	DB95-90026B	SPARK KILLER		1
16	DB72-60038A	CLOTH SOUND COMP	T12,L690	1
17	DB96-01090A	ASS'Y TUBE CHECK V/V	ASS'Y	1
18	DB96-01091A	ASS'Y TUBE 4WAY V/V	ASS'Y	1

6-3 Remote Control (DB93-00816C)



■ Parts List

No	Description	Q'TY	Remark
1	INLAY LCD	1	
2	CASE TOP	1	
3	LCD	1	
4	KEY RUBBER	1	
5	ASS'Y PCB REMOCON	1	
6	CASE LOW	1	
7	BATTERY COVER	1	