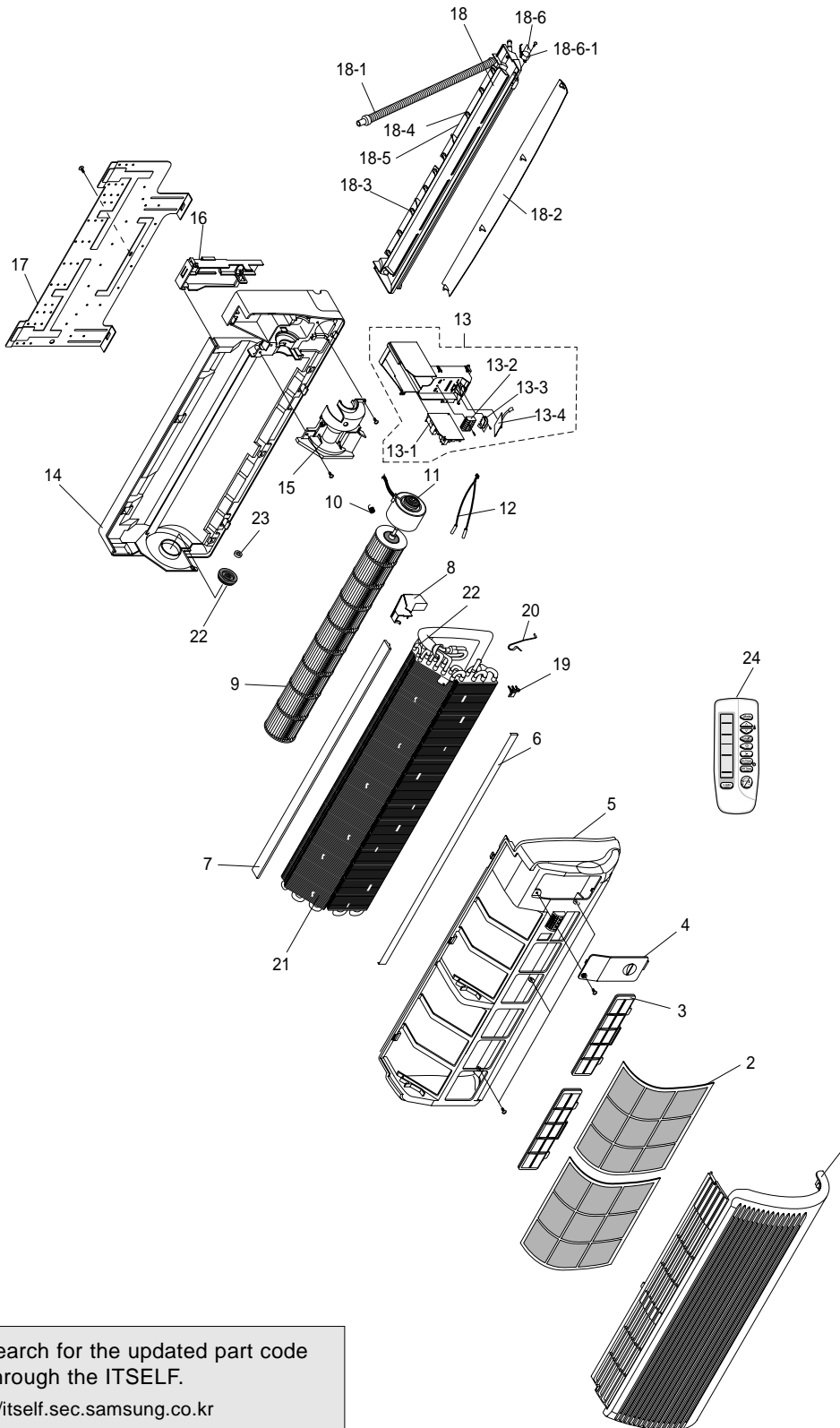


# 6. Exploded Views and Parts List

## 6-1 Indoor Unit



You can search for the updated part code number through the ITSELF.  
URL : <http://itself.sec.samsung.co.kr>

■ Indoor Unit Parts List

① (AQ\*\*A\*\*M\*/SH\*\*ZA\*)    ② (AQ\*\*B\*\*M\*/SH\*\*ZB\*)

No.	CODE NO	Description	Q'TY				
			AQ12*5(6)MB	AQ12*5(6)ME	AQ09*5(6)ME/SH09Z*5(6) AQ09*7(8)ME/SH09Z*7(8)	AQ07*5(6)ME/SH07Z*5(6) AQ07*7(8)ME/SH07Z*7(8)	AQ12*9(0)ME SH12Z*9(0)
1	DB64-00085A	GRILLE AIR INLET(①)	1	1	1	1	1
	DB64-00256A	GRILLE AIR INLET(②)	1	1	1	1	1
2	DB63-00064A	GUARD-AIR FILTER	2	2	2	2	2
3	DB74-00011A	FILTER CLEANER ASS'Y	1	1	1	1	1
4	DB63-00067A	COVER TEMINAL	1	1	1	1	1
5	DB92-00031E	ASS'Y PANEL(①)	1	1	1	1	1
	DB92-00031T	ASS'Y PANEL(②)	1	1	1	1	1
6	DB67-00051A	SPACER EVAP LOW	1	1	1	1	1
7	DB67-00032A	SPACER EVAP UP	1	1	1	1	1
8	DB63-00083A	COVER U BEND	1	1	1	1	1
9	DB94-00040E	ASS'Y FAN CROSS(SF)	1	1	1	1	1
10	DB60-20011A	BOLT SPECIAL	1	1	1	1	1
11	DB31-00033A	MOTOR FAN IN	1	1	1	1	1
12	DB32-00020A	THERMISTOR WIRE ASS'Y	1	1	1	1	1
13	DB93-00459A	ASS'Y CONTROL IN	1	1	1	1	1
13-1	DB93-00437A	ASS'Y PCB MAIN	1	1	1	1	1
13-1-1	1103-001175	IC EPROM	1	1	1	1	1
13-1-2	1203-001813	IC PWM CONTROLLER	1	1	1	1	1
13-1-3	3501-001169	RELAY MINIATURE	1	1	1	1	1
13-1-4	3502-000115	SSR	1	1	1	1	1
13-2	DB65-00030A	TERMINAL BLOCK ASS'Y	1	1	1	1	1
13-3	DB61-00171A	HOLDER WIRE CLAMP	1	1	1	1	1
13-4	DB93-00268A	ASS'Y PCB DISPLAY	1	1	1	1	1
13-4-1	DB32-00037A	MODULE REMOCON	1	1	1	1	1
14	DB94-00056G	ASS'Y BACK BODY(RIGHT SIDE)	1	1	1	1	1
15	DB61-00162A	HOLDER MOTOR	1	1	1	1	1
16	DB61-00165A	HOLDER PIPE	1	1	1	1	1
17	DB70-00036A	PLATE HANGER	1	1	1	1	1
18	DB94-00058F	ASS'Y TRAY DRAIN(RIGHT SIDE)	-	1	1	1	1
	DB94-00058H	ASS'Y TRAY DRAIN(RIGHT SIDE)	1	-	-	-	-
18-1	DB94-00062E	ASS'Y DRAIN HOSE	1	1	1	1	1
18-2	DB66-00127B	BLADE H	1	1	1	1	1
18-3	DB66-00128A	BLADE V,A	3	3	3	3	3
18-4	DB66-00128B	BLADE V,B	6	6	6	6	6
OPTION 18-5	DB63-00082A	SCREEN SAFETY WIRE	-	1	1	1	1
18-6	DB95-20138A	ASS'Y MOTOR STEPPING	1	1	1	1	1
18-6-1	DB31-10129A	MOTOR STEPPING; GSP 24RW	1	1	1	1	1
19	DB61-40251A	HOLDER SENSOR	1	1	1	1	1
20	DB67-60030A	SPRING SENSOR	1	1	1	1	1
21	DB96-00784A	EVAPORATOR ASS'Y	1	1	-	-	1
	DB96-00783A	EVAPORATOR ASS'Y	-	-	1	1	-
22	DB94-40003A	RUBBER BEARING	1	1	1	1	1
23	DB94-40007A	BEARING	1	1	1	1	1
24	DB93-00251L	ASS'Y REMOCON	1	1	1	1	1

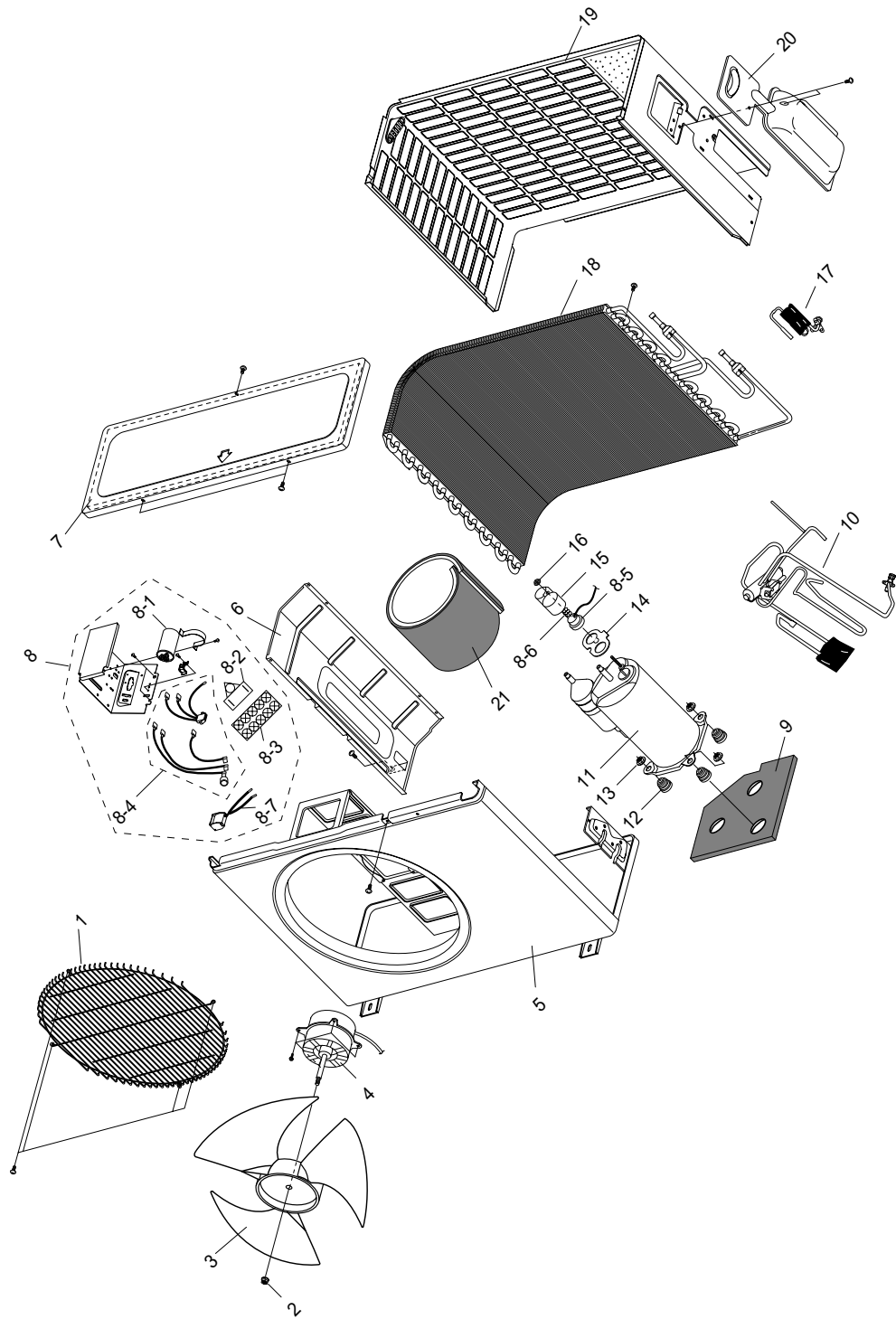
## ■ Indoor Unit Parts List

① (AQ\*\*A\*\*M\*/SH\*\*ZA\*)

② (AQ\*\*B\*\*M\*/SH\*\*ZB\*)

No.	CODE NO	Description	Q'TY		
			AQ12*(A(B))ME	AQ09*(5(6)MED SH09Z*(5(6)D	AQ07*(5(6)MED SH07Z*(5(6)D
1	DB64-00085A	GRILLE AIR INLET(①)	1	1	1
	DB64-00256A	GRILLE AIR INLET(②)	1	1	1
2	DB63-00064A	GUARD-AIR FILTER	2	2	2
3	DB74-00011A	FILTER CLEANER ASS'Y	1	1	1
4	DB63-00067A	COVER TEMINAL	1	1	1
5	DB92-00031E	ASS'Y PANEL(①)	1	1	1
	DB92-00031T	ASS'Y PANEL(②)	1	1	1
6	DB67-00051A	SPACER EVAP LOW	1	1	1
7	DB67-00032A	SPACER EVAP UP	1	1	1
8	DB63-00083A	COVER U BEND	1	1	1
9	DB94-00040E	ASS'Y FAN CROSS(SF)	1	1	1
10	DB60-20011A	BOLT SPECIAL	1	1	1
11	DB31-00033A	MOTOR FAN IN	1	1	1
12	DB32-00020A	THERMISTOR WIRE ASS'Y	1	1	1
13	DB93-00459E	ASS'Y CONTROL IN	1	1	1
13-1	DB93-00437A	ASS'Y PCB MAIN	1	-	-
	DB93-01017A	ASS'Y PCB MAIN	-	1	1
13-1-1	1103-001175	IC EPROM	1	1	1
13-1-2	1203-001813	IC PWM CONTROLLER	1	1	1
13-1-3	3501-001169	RELAY MINIATURE	1	1	1
13-1-4	3502-000115	SSR	1	1	1
13-2	DB65-00030A	TERMINAL BLOCK ASS'Y	1	1	1
13-3	DB61-00171A	HOLDER WIRE CLAMP	1	1	1
13-4	DB93-00268A	ASS'Y PCB DISPLAY	1	1	1
13-4-1	DB32-00037A	MODULE REMOCON	1	1	1
14	DB94-00056G	ASS'Y BACK BODY(RIGHT SIDE)	1	1	1
15	DB61-00162A	HOLDER MOTOR	1	1	1
16	DB61-00165A	HOLDER PIPE	1	1	1
17	DB70-00036A	PLATE HANGER	1	1	1
18	DB94-00058F	ASS'Y TRAY DRAIN(RIGHT SIDE)	1	1	1
	DB94-00058H	ASS'Y TRAY DRAIN(RIGHT SIDE)	-	-	-
18-1	DB94-00062E	ASS'Y DRAIN HOSE	1	1	1
18-2	DB66-00127B	BLADE H	1	1	1
18-3	DB66-00128A	BLADE V,A	3	3	3
18-4	DB66-00128B	BLADE V,B	6	6	6
OPTION 18-5	DB63-00082A	SCREEN SAFETY WIRE	1	1	1
18-6	DB95-20138A	ASS'Y MOTOR STEPPING	1	1	1
18-6-1	DB31-10129A	MOTOR STEPPING; GSP 24RW	1	1	1
19	DB61-40251A	HOLDER SENSOR	1	1	1
20	DB67-60030A	SPRING SENSOR	1	1	1
21	DB96-01366A	EVAPORATOR ASS'Y	-	1	1
	DB96-01443A	EVAPORATOR ASS'Y	1	-	-
22	DB94-40003A	RUBBER BEARING	1	1	1
23	DB94-40007A	BEARING	1	1	1
24	DB93-00251L	ASS'Y REMOCON	1	1	1

## 6-2 Outdoor Unit(UQ12\*5(6)MB(E))

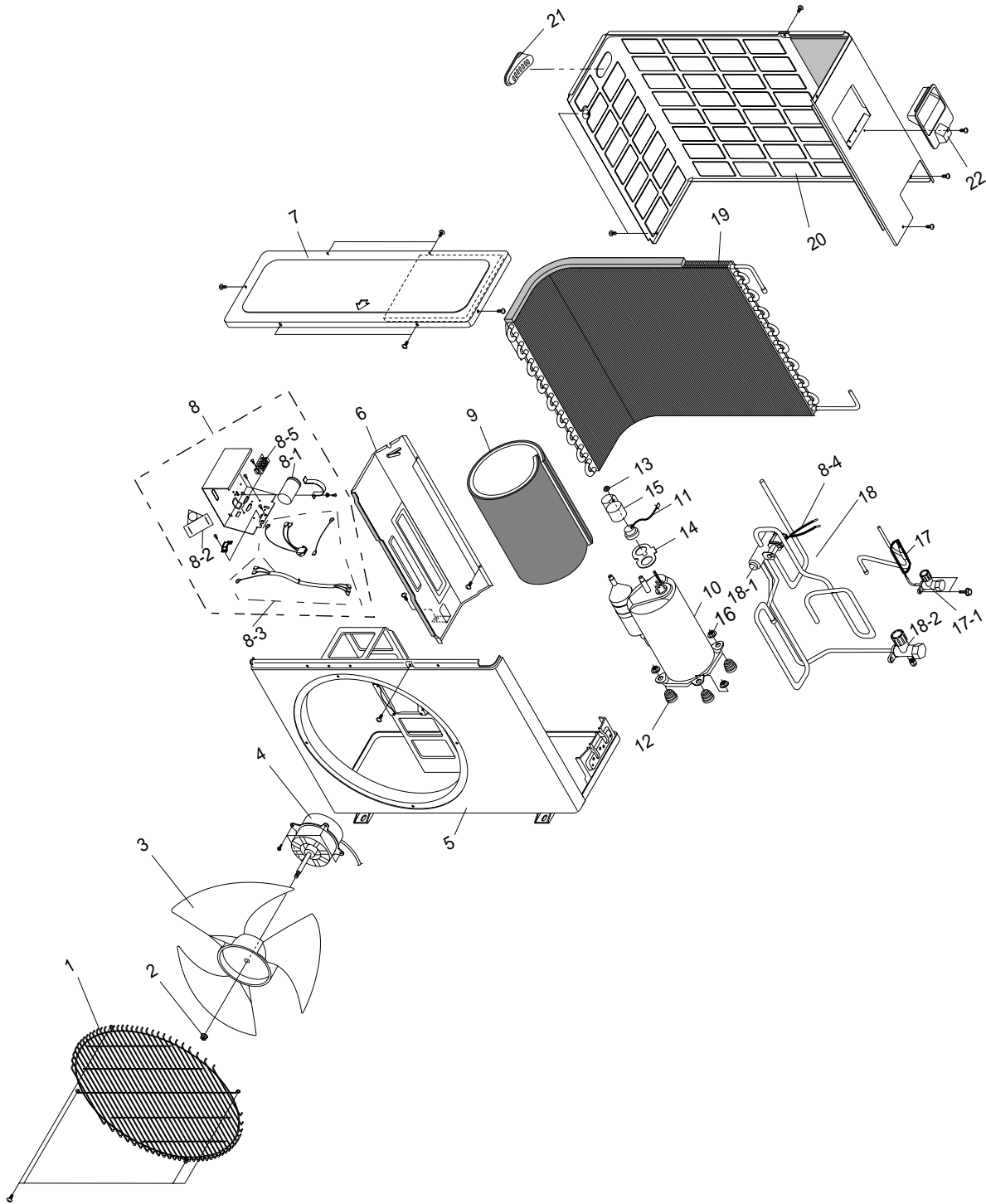


## ■ Parts List (OUTDOOR UNIT)

No.	CODE NO	Description	Specification	Q'TY		Remark
				UQ12*5(6)MB	UQ12*5(6)ME	
1	DB63-00071A	GUARD FAN	HSER	1	1	
2	DB60-30004A	NUT FLANGE	2C SM20C M6 NTR	1	1	
3	DB67-50063A	PROPELLER-FAN	AS+G/F, Ø405	1	1	
4	DB31-10058C	MOTOR FAN OUT	ASSO2OWTVA	1	1	
5	DB90-00272A	ASS'Y FRAME(PAINT)	ASS'Y	1	-	
6	DB94-50077A	ASS'Y PARTITION	ASS'Y	1	1	
7	DB90-00085B	CABINET UPPER	SECC-P	1	1	
8	DB93-00453B	ASS'Y CONTROL OUT	ASS'Y	1	-	
	DB93-00478C or DB93-00453A	ASS'Y CONTROL OUT	ASS'Y $\left\{ \begin{array}{l} 2 \text{ stage OLP} \\ \text{Single OLP} \end{array} \right.$	-	1	
8-1	2501-001226	CAPACITOR COMP	25µF 370VAC	1	-	
	2501-001236	CAPACITOR COMP	30µF 450VAC	-	1	
8-2	2301-001377	CAPACITOR MOTOR	1.2µF 450VAC	1	1	
8-3	DB65-40049E	TERMINAL BLOCK	4P DFT-20A	1	1	
8-4	DB93-00481A or DB93-00412A	ASS'Y LEAD WIRE	ASS'Y $\left\{ \begin{array}{l} 2 \text{ stage OLP} \\ \text{Single OLP} \end{array} \right.$	1	1	
8-5	DB47-20001G/L	O L P	MRA12002-9200/MRA12002-12008	1	-	
	DB35-00015G or DB35-00010B	O L P	RAC12030-9622- 2 stage OLP MRA12030-12008- Single OLP	-	1	
8-6	DB67-60020A	O L P SPRING	STS304	1	1	
8-7	DB33-00007C	ASS'Y SOLENOIDE	220-240,6W,LB81 RANCO	1	1	
9	DB72-50574D	CLOTH COMP BOTTOM	FELT	1	1	
10	DB99-00089A	ASS'Y 4WAY VALVE	ASS'Y	1	1	
11	48A135IV1EL	COMPRESSOR	220V 60Hz	1	-	
	48A124JV1EL	COMPRESSOR	220V-240V/50Hz	-	1	
12	DB73-10004B	GROMMET-ISOLATOR	SILICON	3	3	
13	DB60-30028A	NUT-WASHER	HEX 2C MB ZPC	3	3	
14	DB63-20002A	GASKET	EPDM	1	1	
15	DB63-10165D	COVER TERMINAL	PBT	1	1	
16	DB60-30018A	NUT-FLANGE	M5, SM20C	1	1	
17	DB96-00513A	ASS'Y-CAPILLARY	ASS'Y(1.7x1100)	1	-	
	DB99-00085A	ASS'Y-CHECK VALVE	ASS'Y (C=1.7x1200 H=1.5x300)	-	1	
18	DB96-00509A	ASS'Y COND	ASS'Y(SF)	1	-	
19	DB64-00136B	CABINET SIDE	ASS'Y(BENDING)	1	1	
20	DB67-90025A	HANDLE CABI, RH	ABS	-	1	
21	DB72-00211A	CLOTH-COMP SIDE	FELT	1	1	

# Outdoor Unit

- UQ07\*5(6)ME      UQ07\*5(6)MED
- SH07Z\*5(6)X      SH07Z\*5(6)DX
- UQ09\*5(6)ME      UQ09\*5(6)MED
- SH09Z\*5(6)X      SH09Z\*5(6)DX

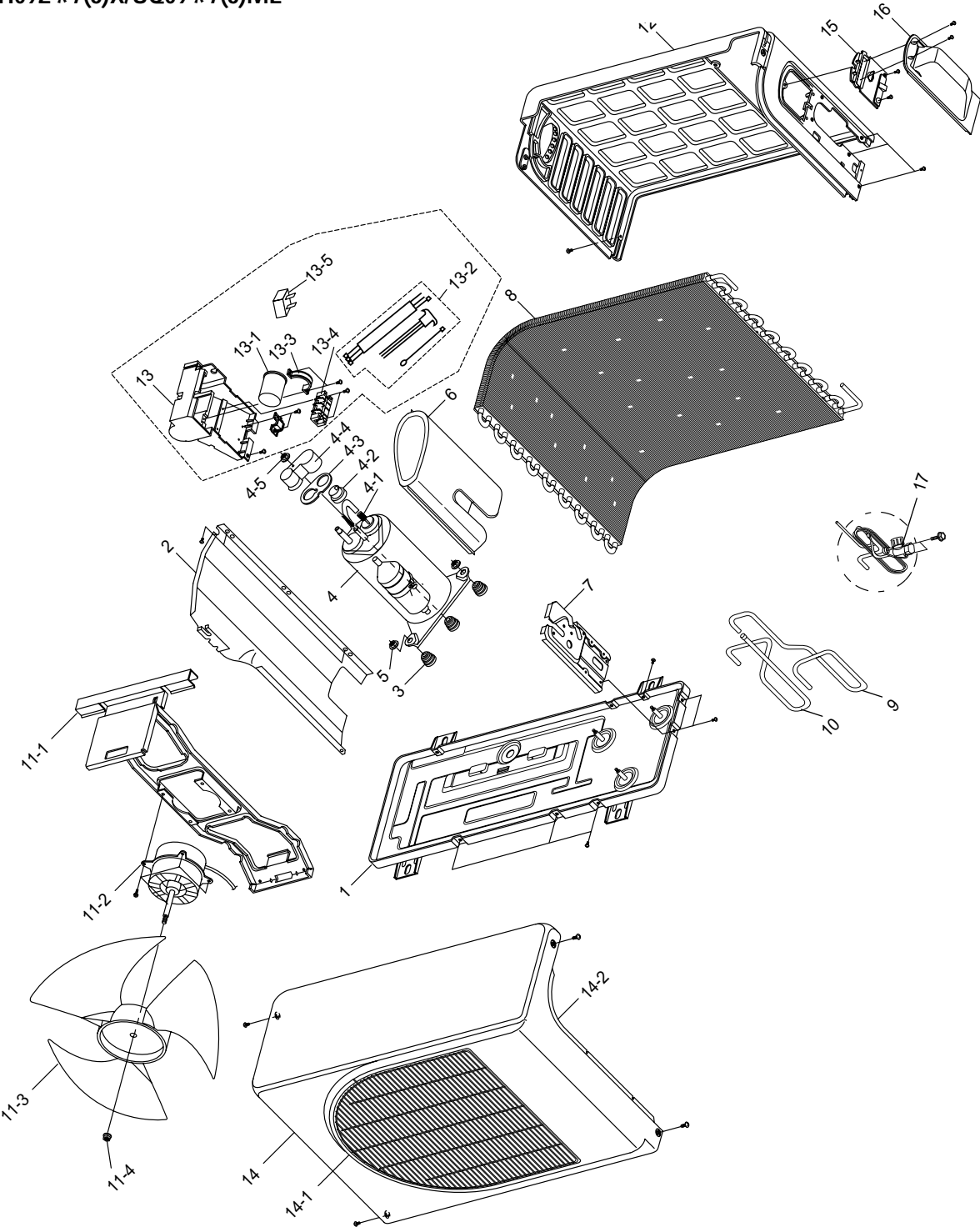


## ■ Parts List

No.	CODE NO	Description	Specitication	Q'TY			
				UQ07*5(6)ME SH07Z*5(6)X	UQ09*5(6)ME SH09Z*5(6)X	UQ07*5(6)MED SH07Z*5(6)DX	UQ09*5(6)MED SH09Z*5(6)DX
1	DB63-00086B	GUARD-FAN	HSWR, IP2, 5&3, SC-90073T, NEW A-P/J 370FAN	1	1	1	1
2	DB60-30004A	NUT-FLALNGE	2C, M6, SM20C, NTR	1	1	1	1
3	DB67-00036A	FAN-PROPELLER	AS+G/F20%, PI 375, BLK	1	1	1	1
4	DB31-10058C	MOTOR-FAN OUT	AMASS-020WTVA, FAN OUT, 220/240	1	1	1	1
5	DB90-00264A	ASS'Y FRAME (PAINT)	SC-90073T	1	1	1	1
6	DB94-00078A	ASS'Y PARTITION	ASS'Y 620mm COND	1	1	-	-
	DB94-00141A	ASS'Y PARTITION	ASS'Y 636mm COND ø7	-	-	1	1
7	DB90-00077B	ASS'Y CABI-UPPER	ASS'Y	1	1	-	-
	DB90-00077D	ASS'Y CABI-UPPER	ASS'Y	-	-	1	1
8	DB93-00478B	ASS'Y CONTROL OUT	ASS'Y	1	-	1	-
	DB93-00478A	ASS'Y CONTROL OUT	ASS'Y	-	1	-	-
	DB93-00478L	ASS'Y CONTROL OUT	ASS'Y, 1.2/450	-	-	-	1
8-1	2501-001228	C-OIL (COMP)	35µF, 370VAC	1	-	1	-
	2501-001229	C-OIL (COMP)	40µF, 370VAC	-	1	-	1
8-2	2301-001375	C-OIL (MOTOR)	1.0µF, 450VAC	1	1	1	-
	2301-001377	C-OIL(MOTOR)	1.2µF, 450VAC	-	-	-	1
8-3	DB33-00481A	ASS'Y LEAD WIRE	V2 P/D, HEATPUMP	1	1	1	1
8-4	DB33-00007C	SOLENOID ASS'Y	220-240, 6W, LB81 RANCO	1	1	1	1
8-5	DB65-40049D	TERMINAL BLOCK	4P, (N1), 1, 2, 3, AWG16, 67.5 x 29.4	1	1	1	1
9	DB72-00453A	CLOTH-COMP	T8, 425, 225, 44F COMP	1	1	1	1
10	44B080 JW1EL	ROTARY COMP	1Ph, 50Hz	1	-	1	-
	44B102 JW1EL	ROTARY COMP	1Ph, 50Hz	-	1	-	1
11	DB35-00015F	PROTECTOR O/L	RAC12086-9622, 2 Stage-OLP	1	-	1	-
	DB35-00015B	PROTECTOR O/L	RAC12054-9622, 2 Stage-OLP	-	1	-	1
12	DB73-00070A	GROMMET-ISOLATOR	NR	3	3	3	3
13	DB60-30018A	NUT-FLANGE	PI0.8, M5, SM20C	1	1	1	1
14	DB63-20002A	GASKET	EPDM, TO.8	1	1	1	1
15	DB63-10165D	COVER-TERMINAL	PBT	1	1	1	1
16	DB60-30028A	NUT-WASHER	HEX, 2C, M8, ZPC	3	3	3	3
17	DB96-00554A	ASS'Y TUBE CAPILLARY	ID1.5 x 1100+1/4"	1	1	-	-
	DB96-01234A	ASS'Y TUBE CAPILLARY	ID1.5 x 1000+1/4"	-	-	1	-
	DB96-01237A	ASS'Y TUBE CAPILLARY	ID1.5 x 1100+1/4"	-	-	-	1
17-1	DB62-00254B	VALVE-SERVICE	1/4INCH	1	1	1	1
18	DB99-00090A	ASS'Y VALVE 4WAY	VK1100B+3/8"	1	1	-	-
	DB99-00149A	ASS'Y VALVE 4WAY	VK1100B+3/8"	-	-	1	1
18-1	DB62-00118A	TUBE-4WAY VALVE	BRASS, 3/8INCH, T1.0, RANCO	1	1	1	1
18-2	DB62-40073B	VALVE-SERVICE	C3771BD, 432L/H, 3/8", 30Kg/cm²G	1	1	1	1
19	DB75-00029A	ASS'Y COND	1.5D-FIN, COATting 620mm	1	1	-	-
	DB96-01286A	ASS'Y COND	1.5LOUVER, COATting 636mm	-	-	1	1
20	DB64-60171B	CABINET-SIDE	SECC-P, T 0.8, A-P/J	1	1	-	-
	DB64-60171C	CABINET-SIDE	SECC-P, T 0.8, A-P/J	-	-	1	1
21	DB67-90024A	HANDLE-CABI LF	ABS	1	1	-	-
	DB67-00171A	HANDLE-CABI LF	ABS	-	-	1	1
22	DB63-10443C	COVER-E, PARTS ASS'Y	SC-90073R	1	1	1	1

# Outdoor Unit

- SH07Z\*7(8)X/UQ07\*7(8)ME
- SH09Z\*7(8)X/UQ09\*7(8)ME



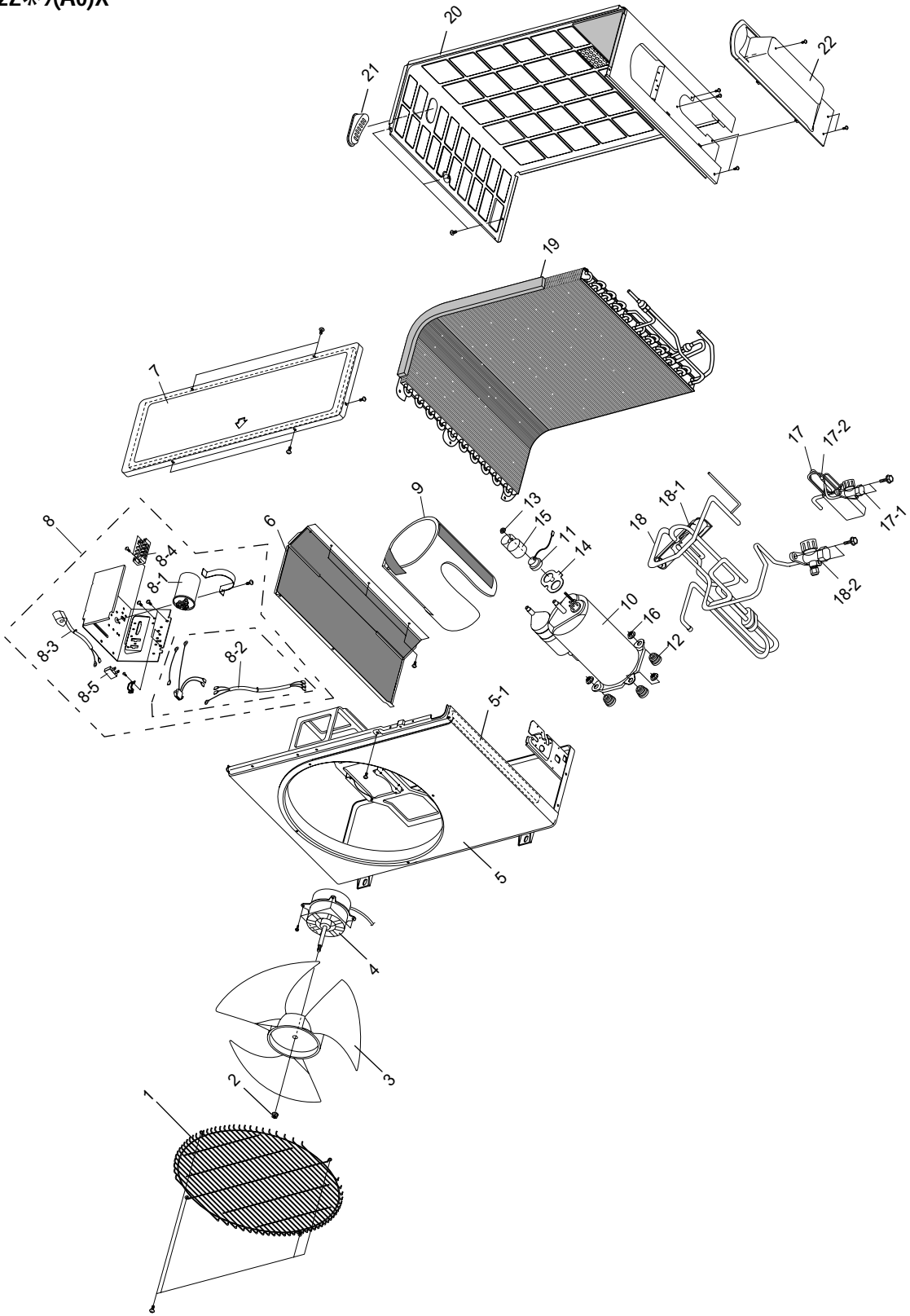


## ■ Parts List

No.	CODE NO	Description	Q'TY	
			Mold	
			SH09Z*7(8)X UQ09*7(8)ME	SH07Z*7(8)X UQ07*7(8)ME
1	DB90-00262A	ASS'Y BASE OUT	1	1
2	DB94-00045A	ASS'Y PARTITION; 7K,9K	1	1
3	DB73-10004B	GROMMET ISOLATOR(SILICON)	3	3
4	44B102JW1EL	ROTARY COMP	1	-
	44B080JW1EL	ROTARY COMP	-	1
4-1	DB67-60020A	SPRING OLP	1	1
4-2	DB35-00015B or DB35-00010E	PROTECTOR O/L; < RAC12054-12008, 2 Stage OLP MRA12110-12008, Single OLP	1	-
	DB35-00015F or DB35-00010F	PROTECTOR O/L; < RAC12086-12008, 2 Stage OLP MRA12086-12008, Single OLP	-	1
4-3	DB63-20002A	GASKET;EPDM	1	1
4-4	DB63-10165D	COVER TERMINAL	1	1
4-5	DB60-30018A	NUT FLANGE	1	1
5	DB60-30028A	NUT WASHER	3	3
6	DB72-00453A	CLOTH COMP SIDE	1	1
7	DB61-00168A	BRACKET VALVE	1	1
8	DB75-00029A	CONDENSER ASS'Y	1	1
9	DB96-00093A	ASS'Y 4WAY VALVE	1	1
9-1	DB33-00002A	SOLENOID COIL ASS'Y	1	1
10	DB96-00195A	ASS'Y TUBE CAPLLARY	1	1
11-1	DB90-00110A	ASS'Y BRACKET MOTOR	1	1
11-2	DB31-00034A	MOTOR FAN OUT	1	1
11-3	DB67-00036A	FAN PROPELLER	1	1
11-4	DB60-30004A	NUT FLANGE	1	1
12	DB90-00109A	ASS'Y CABI SIDE	1	1
13	DB93-00666A or DB93-00433A	ASS'Y CONTROL OUT;9K < 2 Stage OLP Single OLP	1	-
	DB93-00666B or DB93-00433B	ASS'Y CONTROL OUT;7K < 2 Stage OLP Single OLP	-	1
13-1	2501-001229	C OIL;40μF,370VAC	1	-
	2501-001228	C OIL;35μF,370VAC	-	1
13-2	DB93-00481A or DB93-00413A	ASS'Y-LEAD WIRE < 2 Stage OLP Single OLP	1	1
13-3	DB61-00174A	HOLDER CAPACITOR	1	1
13-4	DB65-40049D	TERMINAL BLOCK;4P	1	1
13-5	2301-001375	C OIL;1.5μF, 450VAC	1	1
14	DB90-00108C	ASS'Y CABI FRONT	1	1
14-1	DB63-00099A	GUARD FAN WIRE	1	1
14-2	DB61-00173A	GUIDE BELL MOUTH	1	1
15	DB90-00152A	ASS'Y COVER CONTROL	1	1
16	DB94-00021A	ASS'Y COVER VALVE	1	1
17	DB90-00195A	ASS'Y-CAPILLARY	1	1

# Outdoor Unit

- UQ12\*9(A0)ME
- SH12Z\*9(A0)X

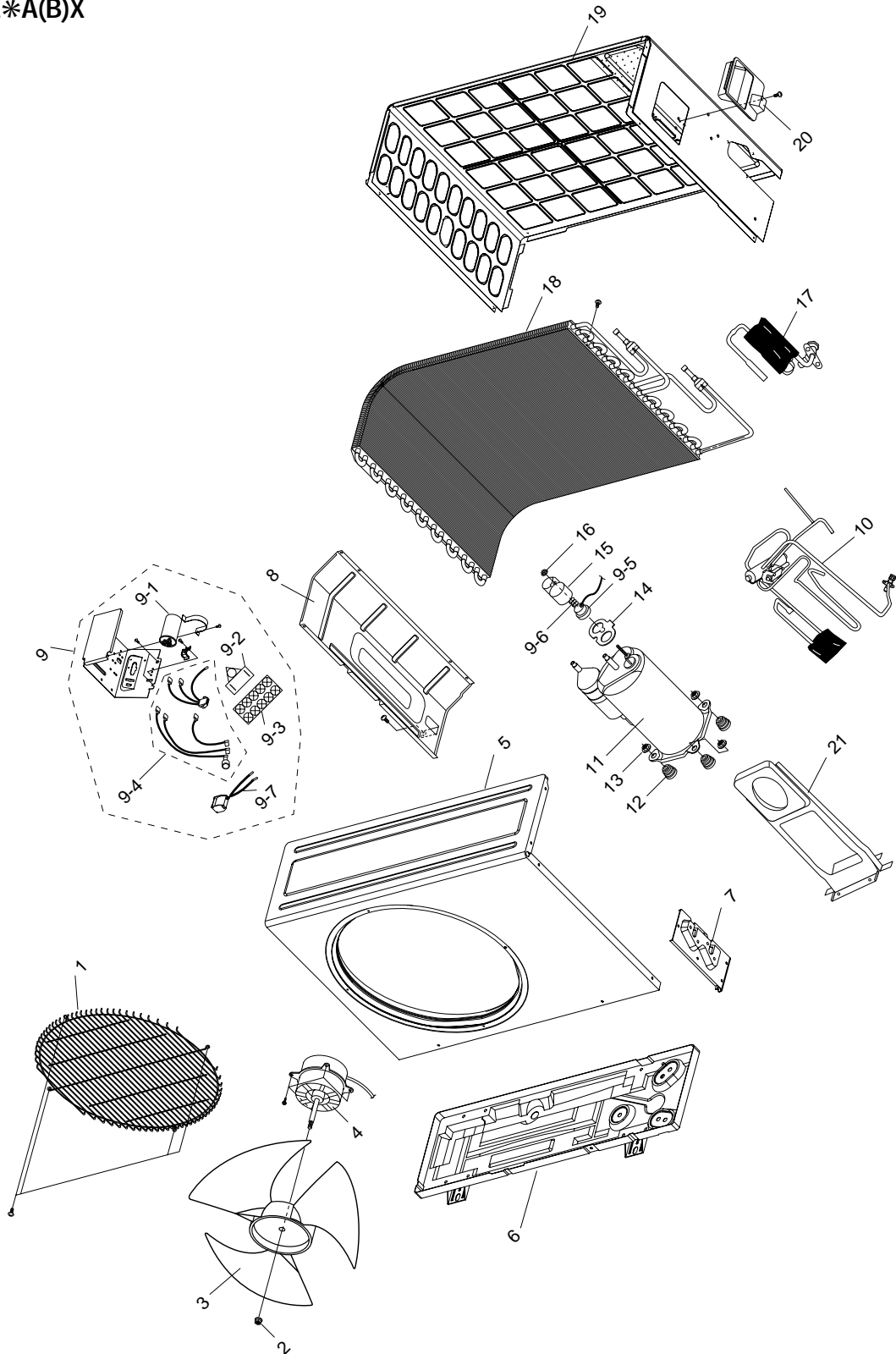


## ■ Parts List

No.	CODE NO	Description	Specitication	Q'TY
				UQ12*9(0)ME SH12Z*9(0)X
1	DB63-00071A	GUARD-FAN	HSER, IP2, SC-90073T, NEW V-P/J 405FAN	1
2	DB60-30004A	NUT-FLALNGE	2C, M6, SM20C, NTR	1
3	DB67-50063A	FAN-PROPELLER	AS+G/F20%, PI 405, BLK	1
4	DB31-10058C	MOTOR-FAN OUT	AMASS-020WTVA, FAN OUT, 220/240	1
5	DB90-00372A	ASS`Y FRAME	V2 P/D, 48F, SAMSUNG, SILK	1
5-1	DB72-00194J	SEAL-FRONT, RH	30FOAM-PU, T15, 15, 400, BLK	1
6	DB94-00098A	ASS`Y PARTITION	V2 P/D, 12K, 2ROW COND	1
7	DB90-00374A	ASS`Y CABI-UPPER	V2 P/D, SC90073 T+FOAM-PU	1
8	DB93-00478C or DB93-00453A	ASS`Y CONTROL OUT	ASS`Y $\left\{ \begin{array}{l} 2 \text{ Stage OLP} \\ \text{Single OLP} \end{array} \right.$	1
8-1	2501-001236	C-OIL	30 $\mu$ F, 450VAC	1
8-2	DB93-00481A or DB93-00413A	ASS`Y LEAD WIRE	HEATPUMP $\left\{ \begin{array}{l} 2 \text{ Stage OLP} \\ \text{Single OLP} \end{array} \right.$	1
8-3	DB33-00007C	SOLENOID ASS`Y	220-240, 6W, LB81 RANCO	1
8-4	DB65-40049D	TERMINAL BLOCK	4P, (N1), 1, 2, 3, AWG16, 67.5 x 29.4	1
8-5	2301-001377	C-OIL	1.2 $\mu$ F, 450VAC	1
9	DB72-00453A	CLOTH-COMP	8t, FELT	1
10	48A124JV1EL	ROTARY COMP	1ph, 208-240V-, 50Hz	1
11	DB35-00010B DB35-00015G	PROTECTOR O/L	MRA12030-12008 $\left\{ \begin{array}{l} \text{Single OLP} \\ 2 \text{ Stage OLP} \end{array} \right.$ RAC12030-9622	1
12	DB73-10004B	GROMMET-ISOLATOR	SILICON	3
13	DB60-30018A	NUT-FLANGE	PI0.8, M5, SM20C	1
14	DB63-20002A	GASKET	EPDM, TO.8	1
15	DB63-10165D	COVER-TERMINAL	PBT	1
16	DB60-30028A	NUT-WASHER	HEX, 2C, MB, ZPC	3
17	DB99-00060A	ASS`Y VALVE, CHECK	AQ12A2ME, CHECK-V/V_1/4"	1
17-1	DB62-00254A	VALVE-SERVICE 1/4"	ASS`Y, 1/4", 45KG/CM2G	1
17-2	DB62-40034A	VALVE-CHECK	1/2", 30KG/CM2G	1
18	DB99-00097A	ASS`Y VALVE 4WAY	SH12ZA1X, VK1100B+1/2"+TUBE	1
18-1	DB62-00118A	TUBE-4WAY VALVE	BRASS, 3/8INCH, T1.0, RANCO	1
18-2	DB62-00251A	VALVE-SERVICE	1/2"+9.52, 45/30KG, AQV12A2ME	1
19	DB96-00286A	ASS`Y COND	AQ12A1ME, 1.7D-FIN, COATING	1
20	DB64-00090A	CABINET-SIDE	SECC-P, T 0.8, SC-90073T, NEW V-P/J	1
21	DB67-90024A	HANDLE-CABILF	ABS, T2	1
22	DB94-00044A	ASS`Y COVER VALVE	V2 P/D, PP+RUBBER	1

# Outdoor Unit

- UQ12\*A(B)ME
- SH12Z\*A(B)X

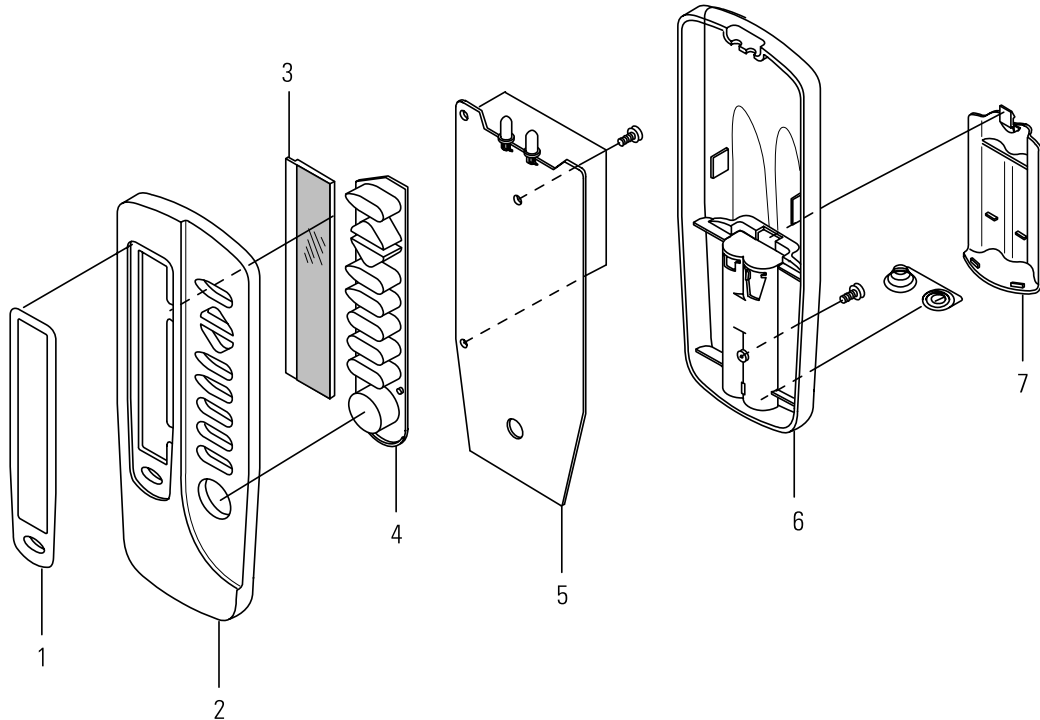


## ■ Parts List (OUTDOOR UNIT)

No.	CODE NO	Description	Specification	Q'TY	Remark
				UQ12*A(B)ME SH12Z*A(B)X	
1	DB63-00071A	GUARD FAN	HSER, CD 2.0	1	
2	DB60-30020A	NUT FLANGE	2C SM20C M6 NTR	1	
3	DB67-50063A	PROPELLER-FAN	AS+G/F, ø405	1	
4	DB31-10058C	MOTOR FAN OUT	220/240V, 60/50HZ	1	
5	DB90-00633B	ASS'Y CABI FRONT	ASS'Y	1	
6	DB90-00635B	ASS'Y BASE OUT	ASS'Y	1	
7	DB61-00803A	BRAKET VALVE	SECC-P, T1.6	1	
8	DB94-00163A	ASS'Y PARTITION	ASS'Y	1	
9	DB93-00478N	ASS'Y CONTROL OUT	ASS'Y	1	
9-1	2501-001236	CAPACITOR COMP	30µF 450VAC	1	
9-2	2301-001375	CAPACITOR MOTOR	1.5µF 450VAC	1	
9-3	DB65-40049E	TERMINAL BLOCK	4P, (N1), 1, 2, 3, AWG16	1	
9-4	DB93-00481A	ASS'Y LEAD WIRE	ASS'Y	1	
9-5	DB35-00015G	O L P	RAC12030-9622	-	
9-6	DB67-60020A	O L P SPRING	STS304	1	
9-7	DB33-00007C	ASS'Y SOLENOIDE	220-240,6W,LB81 RANCO	1	
10	DB99-00155A	ASS'Y 4WAY VALVE	VK1100B	1	
11	48A124JV1EL	COMPRESSOR	220-240V/50Hz	1	
12	DB73-00067A	GROMMET-ISOLATOR	NR	3	
13	DB60-30028A	NUT-WASHER	HEX 2C MB ZPC	3	
14	DB63-20002A	GASKET	EPDM	1	
15	DB63-10165D	COVER TERMINAL	PBT	1	
16	DB60-30018A	NUT-FLANGE	M5, SM20C	1	
17	DB99-00157B	ASS'Y CHECK V/V	ASS'Y(1.5x700/1.5x500)	-	
18	DB96-01461A	ASS'Y COND	ASS'Y(SF)	1	
19	DB90-00634A	CABINET SIDE	ASS'Y(BENDING)	1	
20	DB63-10443C	HANDLE CABI, RH	ABS	-	
21	DB61-00802A	BRACKET MOTOR	SGCC-M, T1.2	1	

## 6-3 Remote Control & PCB Box

### 6-3-1 ASS'Y REMOCON : DB93-00251L

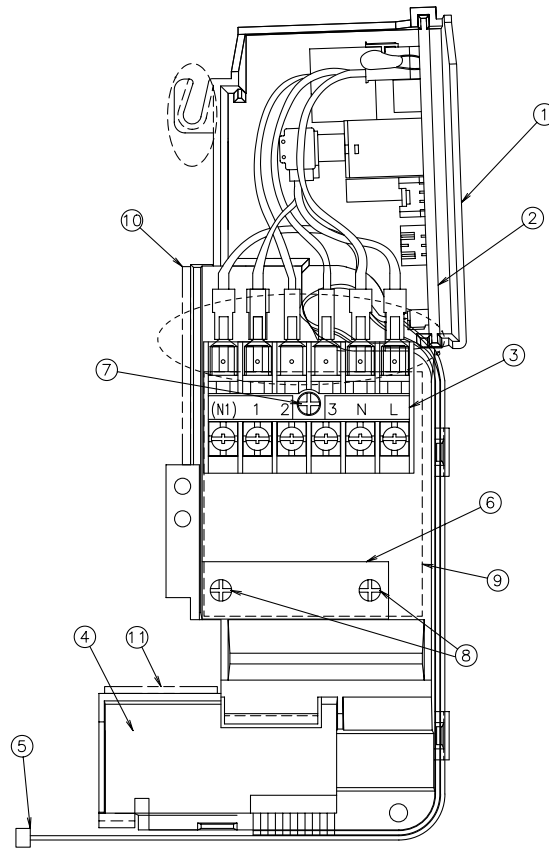


#### ■ Parts List

No	Description	Q'TY	Remark
1	INLAY LCD	1	
2	CASE TOP	1	
3	LCD	1	
4	KEY RUBBER	1	
5	ASS'Y PCB REMOCON	1	
6	CASE LOW	1	
7	BATTERY COVER	1	

## 6-4 Indoor Control Unit

### 6-4-1 ASS'Y CONTROL-IN : DB93-00459A / DB93-00459E



#### ■ Parts List

No	Description	Specification	Remark
1	HOLDER CONTROL	ABS	
2	ASS'Y MAIN PCB	ASS'Y	
3	ASS'Y TERMINAL BLOCK	6P	
4	ASS'Y DISPLAY PCB	ASS'Y	
5	CONNECTOR WIRE PCB U/D	5P	
6	HOLDER WIRE CLAMP	-	
7	SCREW	PH, M3 5 L22	
8	SCREW	TH + M4 5 x16, ZPC(WHT), SWRCH	
9	HOLDER CLAMP IN	-	
10	SEAL PANEL FRONT RH	-	
11	SEAL H/CONTROL FRONT	-	

# MEMO