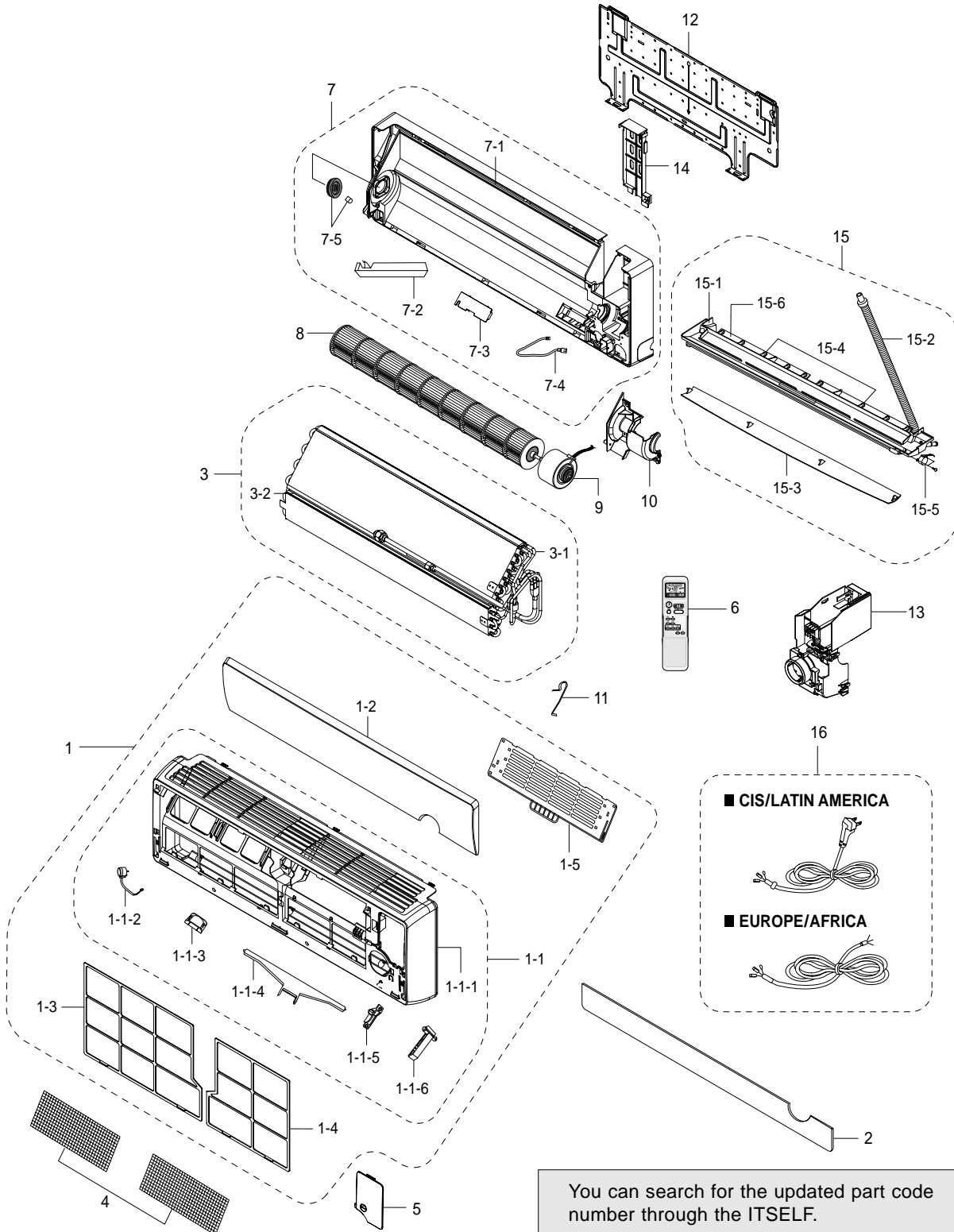


7. Exploded Views and Parts List

7-1 Indoor Unit



You can search for the updated part code number through the ITSELF.
 URL : <http://itself.sec.samsung.co.kr>

■ Parts List

No.	Code No.	Description	Specification	Q'TY					
				SH07ZP2 SH07ZP2A (CIS)	SH07ZP2 SH07ZP2A (EUROPE)	SH09ZP2 SH09ZP2A (CIS)	SH09ZP2 SH09ZP2A (EUROPE)	SH12ZP4 SH12ZP4A (CIS)	SH12ZP4 SH12ZP4A (EUROPE)
1	DB92-00561A	ASS'Y PANEL FRONT TOTAL	ASS'Y	-	-	-	-	1	1
	DB92-00558A	ASS'Y PANEL FRONT TOTAL	ASS'Y	1	1	1	1	-	-
1-1	DB92-00560A	ASS'Y PANEL FRONT SUB-P	ASS'Y	-	-	-	-	1	1
	DB92-00557A	ASS'Y PANEL FRONT SUB-P	ASS'Y	1	1	1	1	-	-
1-1-1	DB92-00559A	ASS'Y PANEL FRONT SUB	ASS'Y	-	-	-	-	1	1
	DB92-00556A	ASS'Y PANEL FRONT SUB	ASS'Y	1	1	1	1	-	-
1-1-2	DB31-00166B	MOTOR STEPPING	-	1	1	1	1	1	1
1-1-3	DB61-01114A	HOLDER MOTOR DC	HIPS	-	-	-	-	1	1
	DB61-01123A	HOLDER MOTOR DC	HIPS	1	1	1	1	-	-
1-1-4	DB61-01115A	HINGE GRILLE	HIPS	-	-	-	-	1	1
	DB61-01132A	HINGE GRILLE	HIPS	1	1	1	1	-	-
1-1-5	DB61-01116A	GUIDE LINK	HIPS	-	-	-	-	1	1
	DB61-01133A	GUIDE LINK	HIPS	1	1	1	1	-	-
1-1-6	DB66-00364A	LINK MOTOR	ABS	-	-	-	-	1	1
	DB66-00365A	LINK MOTOR	ABS	1	1	1	1	-	-
1-2	DB64-00640A	GRILLE UP	ABS	-	-	-	-	1	1
	DB64-00655A	GRILLE UP	ABS	1	1	1	1	-	-
1-3	DB63-00585B	FILTER-AIR LF	PP	-	-	-	-	1	1
	DB63-00590B	FILTER-AIR LF	PP	1	1	1	1	-	-
1-4	DB63-00586B	FILTER-AIR RH	PP	-	-	-	-	1	1
	DB63-00591B	FILTER-AIR RH	PP	1	1	1	1	-	-
1-5	DB91-00198B	ASS'Y ELECTRIC FILTER	ASS'Y	-	-	-	-	-	-
2	DB92-00388C	ASS'Y GRILLE LOW	ASS'Y	-	-	-	-	1	1
	DB92-00416C	ASS'Y GRILLE LOW	ASS'Y	1	1	1	1	-	-
3	DB96-02092J	ASS'Y EVAPORATOR TOTAL	ASS'Y	-	-	-	-	1	1
	DB96-02145G	ASS'Y EVAPORATOR TOTAL	ASS'Y	1	1	1	1	-	-
3-1	DB96-03123A	ASS'Y EVAPORATOR	ASS'Y	-	-	-	-	1	1
	DB96-03101A	ASS'Y EVAPORATOR	ASS'Y	1	1	1	1	-	-
3-2	DB67-00051A	SPACE-EVAP	PVC	1	1	1	1	-	-
4	DB95-00367E	ASS'Y FILTER BIO	ASS'Y	1	1	1	1	1	1
5	DB63-00581A	COVER TERMINAL	HIPS	-	-	-	-	1	1
	DB63-00588A	COVER TERMINAL	HIPS	1	1	1	1	-	-
6	DB93-02530G	ASS'Y REMOCON	ASS'Y	1	1	1	1	1	1
7	DB94-00488C	ASS'Y BACK BODY	ASS'Y	-	-	-	-	1	1
	DB94-00486C	ASS'Y BACK BODY	ASS'Y	1	1	1	1	-	-
7-1	DB61-01098A	BACK BODY	HIPS	-	-	-	-	1	1
	DB61-01119A	BACK BODY	HIPS	1	1	1	1	-	-
7-2	DB91-00248A	ASS'Y ELECTRIC-IONS	ASS'Y	1	1	1	1	1	1
7-3	DB63-00580A	COVER-IONIZER	HIPS	1	1	1	1	1	1
7-4	DB93-01451C	ASS'Y CONNECTOR WIRE-IONIZER	ASS'Y	-	-	-	-	1	1
	DB93-01451B	ASS'Y CONNECTOR WIRE-IONIZER	ASS'Y	1	1	1	1	-	-
7-5	DB94-00258A	ASS'Y BEARING	ASS'Y	1	1	1	1	1	1
8	DB94-00040R	ASS'Y CROSS FAN	ASS'Y	-	-	-	-	1	1
	DB94-00040F	ASS'Y CROSS FAN	ASS'Y	1	1	1	1	-	-
9	DB31-00152B	MOTOR-FAN IN	220/240V,50/60Hz	-	-	-	-	1	1
	DB31-00152A	MOTOR-FAN IN	220/240V,50/60Hz	1	1	1	1	-	-
10	DB61-01099A	HOLDER-MOTOR	PP	-	-	-	-	1	1
	DB61-01120A	HOLDER-MOTOR	PP	1	1	1	1	-	-
11	DB67-60030A	SPRING-SENSOR	STS301	1	1	1	1	1	1
12	DB70-00276A	PLATE-HANGER	SGCC-M	-	-	-	-	1	1
	DB70-00288A	PLATE-HANGER	SGCC-M	1	1	1	1	-	-
13	DB93-02541A	ASS'Y CONTROL IN	ASS'Y	-	-	-	-	1	1
	DB93-02542B	ASS'Y CONTROL IN	ASS'Y	1	-	1	-	-	-
	DB93-02542A	ASS'Y CONTROL IN	ASS'Y	-	1	-	1	-	-
14	DB90-00992A	HOLDER-PIPE	HIPS	-	-	-	-	1	1
	DB61-01121A	HOLDER-PIPE	HIPS	1	1	1	1	-	-
15	DB94-00468B	ASS'Y TRAY DRAIN	ASS'Y	-	-	-	-	1	1
	DB94-00465A	ASS'Y TRAY DRAIN	ASS'Y	1	1	1	1	-	-
15-1	DB63-00587A	TRAY DRAIN	HIPS	-	-	-	-	1	1
	DB63-00592A	TRAY DRAIN	HIPS	1	1	1	1	-	-
15-2	DB94-00062E	ASS'Y HOSE DRAIN	ASS'Y	1	1	1	1	1	1
15-3	DB61-01103A	BLADE-H	HIPS	-	-	-	-	1	1
	DB61-01125A	BLADE-H	HIPS	1	1	1	1	-	-
15-4	DB61-01104A	BLADE-V	PP	-	-	-	-	2	2
	DB61-01126A	BLADE-V	PP	2	2	2	2	-	-
15-5	DB95-20138A	ASS'Y STEPPING MOTOR	ASS'Y	1	1	1	1	1	1
15-6	DB63-00634A	GUARD-SAFETY WIRE	STS27	-	-	-	-	1	1
	DB63-00635A	GUARD-SAFETY WIRE	STS27	1	1	1	1	-	-
16	3903-000095	ASS'Y CONNECTOR POWER	ASS'Y	1	-	1	-	1	-
	DB93-01549B	ASS'Y CONNECTOR POWER	ASS'Y	-	1	-	1	-	1

Option
Option

■ Parts List

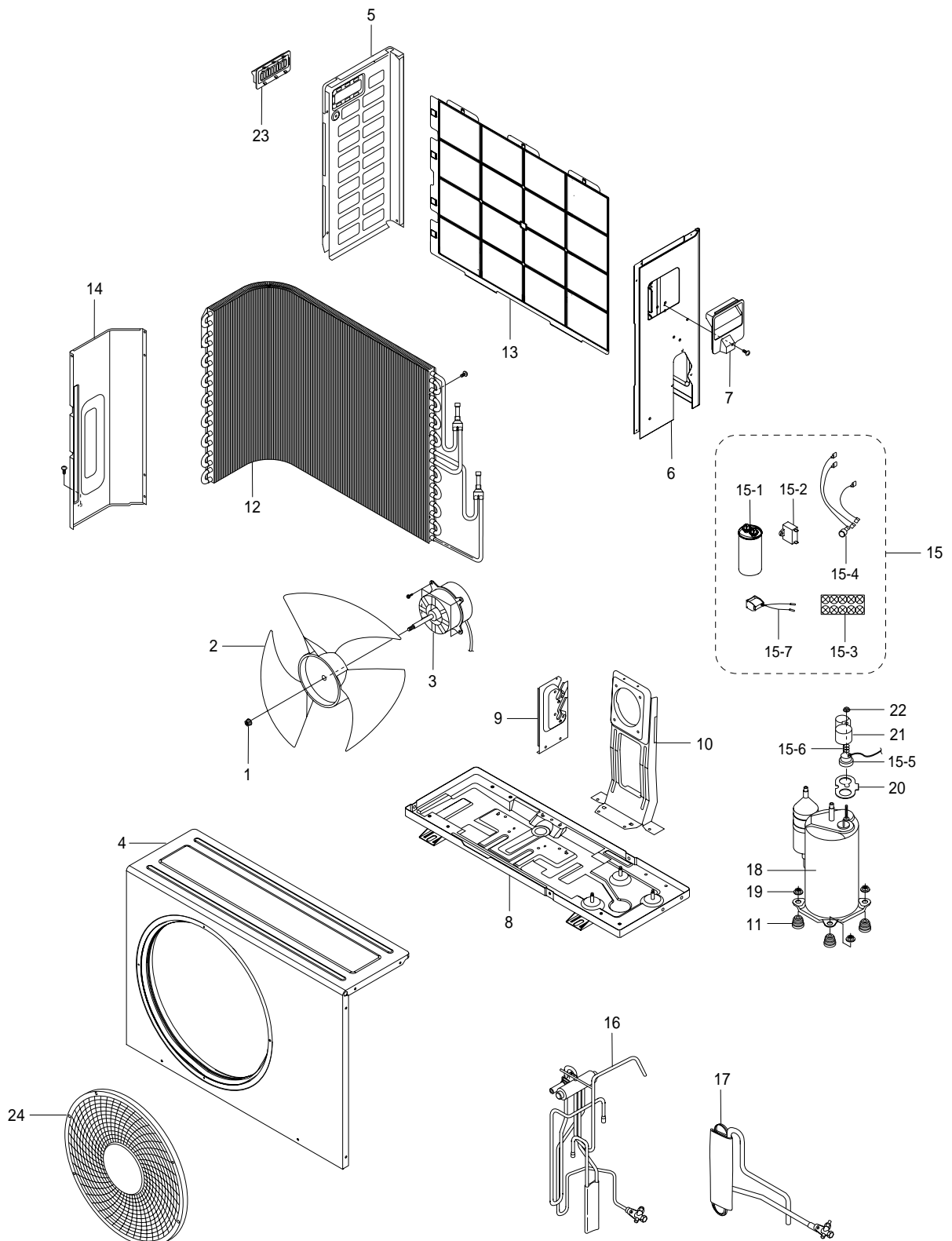
No.	Code No.	Description	Specification	Q'TY					
				AQ07P2GE (Latin America)	AQ07P2GE (AFRICA)	AQ09P2GE (Latin America)	AQ09P2GE (AFRICA)	AQ12P4GE (Latin America)	AQ12P4GE (AFRICA)
1	DB92-00561A	ASS'Y PANEL FRONT TOTAL	ASS'Y	-	-	-	-	-	1
	DB92-00561D	ASS'Y PANEL FRONT TOTAL	ASS'Y	-	-	-	-	1	-
	DB92-00558A	ASS'Y PANEL FRONT TOTAL	ASS'Y	-	1	-	1	-	-
	DB92-00558E	ASS'Y PANEL FRONT TOTAL	ASS'Y	1	-	1	-	-	-
1-1	DB92-00560A	ASS'Y PANEL FRONT SUB-P	ASS'Y	-	-	-	-	-	1
	DB92-00560B	ASS'Y PANEL FRONT SUB-P	ASS'Y	-	-	-	-	1	-
	DB92-00557A	ASS'Y PANEL FRONT SUB-P	ASS'Y	-	1	-	1	-	-
	DB92-00557B	ASS'Y PANEL FRONT SUB-P	ASS'Y	1	-	1	-	-	-
1-1-1	DB92-00559A	ASS'Y PANEL FRONT SUB	ASS'Y	-	-	-	-	1	1
	DB92-00556A	ASS'Y PANEL FRONT SUB	ASS'Y	1	1	1	1	-	-
1-1-2	DB31-00166B	MOTOR STEPPING	-	1	1	1	1	1	1
1-1-3	DB61-01114A	HOLDER MOTOR DC	HIPS	-	-	-	-	1	1
	DB61-01123A	HOLDER MOTOR DC	HIPS	1	1	1	1	-	-
1-1-4	DB61-01115A	HINGE GRILLE	HIPS	-	-	-	-	1	1
	DB61-01132A	HINGE GRILLE	HIPS	1	1	1	1	-	-
1-1-5	DB61-01116A	GUIDE LINK	HIPS	-	-	-	-	1	1
	DB61-01133A	GUIDE LINK	HIPS	1	1	1	1	-	-
1-1-6	DB66-00364A	LINK MOTOR	ABS	-	-	-	-	1	1
	DB66-00365A	LINK MOTOR	ABS	1	1	1	1	-	-
1-2	DB64-00640A	ASS'Y GRILLE UP	ASS'Y	-	-	-	-	-	1
	DB92-00489A	ASS'Y GRILLE UP	ASS'Y	-	-	-	-	1	-
	DB64-00655A	ASS'Y GRILLE UP	ASS'Y	-	1	-	1	-	-
	DB92-00490A	ASS'Y GRILLE UP	ASS'Y	1	-	1	-	-	-
1-3	DB63-00585B	FILTER-AIR LF	PP	-	-	-	-	1	1
	DB63-00590B	FILTER-AIR LF	PP	1	1	1	1	-	-
1-4	DB63-00586B	FILTER-AIR RH	PP	-	-	-	-	1	1
	DB63-00591B	FILTER-AIR RH	PP	1	1	1	1	-	-
1-5	DB91-00198B	ASS'Y ELECTRIC FILTER	ASS'Y	1	-	1	-	1	-
2	DB92-00388C	ASS'Y GRILLE LOW	ASS'Y	-	-	-	-	1	1
	DB92-00416C	ASS'Y GRILLE LOW	ASS'Y	1	1	1	1	-	-
3	DB96-02092J	ASS'Y EVAPORATOR TOTAL	ASS'Y	-	-	-	-	1	1
	DB96-02145G	ASS'Y EVAPORATOR TOTAL	ASS'Y	1	1	1	1	-	-
3-1	DB96-03123A	ASS'Y EVAPORATOR	ASS'Y	-	-	-	-	1	1
	DB96-03101A	ASS'Y EVAPORATOR	ASS'Y	1	1	1	1	-	-
3-2	DB67-00051A	SPACE-EVAP	PVC	1	1	1	1	-	-
4	DB95-00367E	ASS'Y FILTER BIO	ASS'Y	1	1	1	1	1	1
5	DB63-00581A	COVER TERMINAL	HIPS	-	-	-	-	1	1
	DB63-00588A	COVER TERMINAL	HIPS	1	1	1	1	-	-
6	DB93-02530G	ASS'Y REMOCON	ASS'Y	-	1	-	1	-	1
	DB93-02530J	ASS'Y REMOCON	ASS'Y	1	-	1	-	1	-
7	DB94-00488C	ASS'Y BACK BODY	ASS'Y	-	-	-	-	-	1
	DB94-00488A	ASS'Y BACK BODY	ASS'Y	-	-	-	-	1	-
	DB94-00486C	ASS'Y BACK BODY	ASS'Y	-	1	-	1	-	-
	DB94-00486A	ASS'Y BACK BODY	ASS'Y	1	-	1	-	-	-
7-1	DB61-01098A	BACK BODY	HIPS	-	-	-	-	1	1
	DB61-01119A	BACK BODY	HIPS	1	1	1	1	-	-
7-2	DB91-00248A	ASS'Y ELECTRIC-IONS	ASS'Y	-	1	-	1	-	1
7-3	DB63-00580A	COVER-IONIZER	HIPS	1	1	1	1	1	1
7-4	DB93-01451C	ASS'Y CONNECTOR WIRE-IONIZER	ASS'Y	-	-	-	-	-	1
	DB93-01451B	ASS'Y CONNECTOR WIRE-IONIZER	ASS'Y	-	1	-	1	-	-
7-5	DB94-00258A	ASS'Y BEARING	ASS'Y	1	1	1	1	1	1
8	DB94-00040R	ASS'Y CROSS FAN	ASS'Y	-	-	-	-	1	1
	DB94-00040F	ASS'Y CROSS FAN	ASS'Y	1	1	1	1	-	-
9	DB31-00152B	MOTOR-FAN IN	220/240V,50/60Hz	-	-	-	-	1	1
	DB31-00152A	MOTOR-FAN IN	220/240V,50/60Hz	1	1	1	1	-	-
10	DB61-01099A	HOLDER-MOTOR	PP	-	-	-	-	1	1
	DB61-01120A	HOLDER-MOTOR	PP	1	1	1	1	-	-
11	DB67-60030A	SPRING-SENSOR	STS301	1	1	1	1	1	1
12	DB70-00276A	PLATE-HANGER	SGCC-M	-	-	-	-	1	1
	DB70-00288A	PLATE-HANGER	SGCC-M	1	1	1	1	-	-
13	DB93-02541A	ASS'Y CONTROL IN	ASS'Y	-	-	-	-	-	1
	DB93-02541B	ASS'Y CONTROL IN	ASS'Y	-	-	-	-	1	-
	DB93-02542B	ASS'Y CONTROL IN	ASS'Y	-	1	-	1	-	-
	DB93-02542C	ASS'Y CONTROL IN	ASS'Y	1	-	1	-	-	-
14	DB90-00992A	HOLDER-PIPE	HIPS	-	-	-	-	1	1
	DB61-01121A	HOLDER-PIPE	HIPS	1	1	1	1	-	-
15	DB94-00468D	ASS'Y TRAY DRAIN	ASS'Y	-	-	-	-	1	1
	DB94-00465D	ASS'Y TRAY DRAIN	ASS'Y	1	1	1	1	-	-
15-1	DB63-00587A	TRAY DRAIN	HIPS	-	-	-	-	1	1
	DB63-00592A	TRAY DRAIN	HIPS	1	1	1	1	-	-
15-2	DB94-00062E	ASS'Y HOSE DRAIN	ASS'Y	1	1	1	1	1	1
15-3	DB61-01103A	BLADE-H	HIPS	-	-	-	-	1	1
	DB61-01125A	BLADE-H	HIPS	1	1	1	1	-	-
15-4	DB61-01104A	BLADE-V	PP	-	-	-	-	2	2
	DB61-01126A	BLADE-V	PP	2	2	2	2	-	-
15-5	DB95-20138A	ASS'Y STEPPING MOTOR	ASS'Y	1	1	1	1	1	1
15-6	DB63-00634A	GUARD-SAFETY WIRE	STS27	-	-	-	-	-	-
	DB63-00635A	GUARD-SAFETY WIRE	STS27	-	-	-	-	-	-
16	3903-000095	ASS'Y CONNECTOR POWER	ASS'Y	1	-	1	-	1	-
	DB93-01549B	ASS'Y CONNECTOR POWER	ASS'Y	-	1	-	1	-	1

Option
Option

■ Parts List

No.	Code No.	Description	Specification	Q'TY	
				AQT12P4GB	AQT12P4GE
1	DB92-00561A	ASS'Y PANEL FRONT TOTAL	ASS'Y	1	
1-1	DB92-00560A	ASS'Y PANEL FRONT SUB-P	ASS'Y	1	
1-1-1	DB92-00559A	ASS'Y PANEL FRONT SUB	ASS'Y	1	
1-1-2	DB31-00166B	MOTOR STEPPING	-	1	
1-1-3	DB61-01114A	HOLDER MOTOR DC	HIPS	1	
1-1-4	DB61-01115A	HINGE GRILLE	HIPS	1	
1-1-5	DB61-01116A	GUIDE LINK	HIPS	1	
1-1-6	DB66-00364A	LINK MOTOR	ABS	1	
1-2	DB64-00640A	GRILLE UP	ABS	1	
1-3	DB63-00585B	FILTER-AIR LF	PP	1	
1-4	DB63-00586B	FILTER-AIR RH	PP	1	
2	DB92-00388C	ASS'Y GRILLE LOW	ASS'Y	1	
3	DB96-02092J	ASS'Y EVAPORATOR TOTAL	ASS'Y	1	
3-1	DB96-03123A	ASS'Y EVAPORATOR	ASS'Y	1	
3-2	DB67-00051A	SPACE-EVAP	PVC	-	
4	DB95-00367E	ASS'Y FILTER BIO	ASS'Y	1	
5	DB63-00581A	COVER TERMINAL	HIPS	1	
6	DB93-02531B	ASS'Y REMOCON	ASS'Y	1	
7	DB94-00488C	ASS'Y BACK BODY	ASS'Y	1	
7-1	DB61-01098A	BACK BODY	HIPS	1	
7-2	DB91-00248A	ASS'Y ELECTRIC-IONS	ASS'Y	1	
7-3	DB63-00580A	COVER-IONIZER	HIPS	1	
7-4	DB93-01451C	ASS'Y CONNECTOR WIRE-IONIZER	ASS'Y	1	
7-5	DB94-00258A	ASS'Y BEARING	ASS'Y	1	
8	DB94-00040R	ASS'Y CROSS FAN	ASS'Y	1	
9	DB31-00152B	MOTOR-FAN IN	220/240V,50/60Hz	1	
10	DB61-01099A	HOLDER-MOTOR	PP	1	
11	DB67-60030A	SPRING-SENSOR	STS301	1	
12	DB70-00276A	PLATE-HANGER	SGCC-M	1	
13	DB93-02541A	ASS'Y CONTROL IN	ASS'Y	1	
14	DB90-00992A	HOLDER-PIPE	HIPS	1	
15	DB94-00468D	ASS'Y TRAY DRAIN	ASS'Y	1	
15-1	DB63-00587A	TRAY DRAIN	HIPS	1	
15-2	DB94-00062E	ASS'Y HOSE DRAIN	ASS'Y	1	
15-3	DB61-01103A	BLADE-H	HIPS	1	
15-4	DB61-01104A	BLADE-V	PP	2	
15-5	DB95-20138A	ASS'Y STEPPING MOTOR	ASS'Y	1	
15-6	DB63-00634A	GUARD-SAFETY WIRE	STS27	-	Option
16	DB93-01549C	ASS'Y CONNECTOR POWER	ASS'Y	1	

7-2 Outdoor Unit



■ Parts List

No.	Code No.	Description	Specification	Q'TY			
				SH07ZP2X	SH07ZP2AX UQ07P2GE	SH09ZP2X	SH09ZP2AX UQ09P2GE
1	DB60-30020A	NUT FLANGE	2C,M6,SM20C,NTR	1	1	1	1
2	DB67-00036A	FAN PROPELLER	AS+G/F 20%, ø375	1	1	1	1
3	DB31-00034A	MOTOR FAN OUT	220/240V,50/60Hz	1	1	1	1
4	DB90-01406A	ASS'Y CABINET FRONT	ASS'Y	1	1	1	1
5	DB90-01461A	ASS'Y CABINET SIDE LF	ASS'Y	1	1	1	1
6	DB90-01426C	ASS'Y CABINET SIDE RH	ASS'Y	1	1	1	1
7	DB63-10443C	COVER E PARTS ASS'Y	ASS'Y	1	1	1	1
8	DB90-01273A	ASS'Y BASE OUTDOOR	ASS'Y	1	-	1	-
	DB90-01273B	ASS'Y BASE OUTDOOR	ASS'Y	-	1	-	1
9	DB61-01623A	BRACKET VALVE	GALVANIZED STEEL	1	1	1	1
10	DB61-01649A	BRACKET MOTOR	GALVANIZED STEEL	1	1	1	1
11	DB63-00930A	GROMMET-ISOLATOR	NR	3	-	3	-
	DB73-00070A	GROMMET-ISOLATOR	NR	-	3	-	3
12	DB96-03074A	ASS'Y COND	ASS'Y	-	-	1	-
	DB96-03423A	ASS'Y COND	ASS'Y	1	-	-	-
	DB96-03576A	ASS'Y COND	ASS'Y	-	1	-	1
13	DB64-00997A	SCREEN COND	PP	1	1	1	1
14	DB94-00497A	ASS'Y PARTITION	ASS'Y	-	-	1	-
	DB94-00497C	ASS'Y PARTITION	ASS'Y	1	-	-	-
	DB94-00497D	ASS'Y PARTITION	ASS'Y	-	1	-	1
15	DB93-02556E	ASS'Y CONTROL OUT	ASS'Y	-	-	1	-
	DB93-02556D	ASS'Y CONTROL OUT	ASS'Y	1	-	-	-
	DB93-02739A	ASS'Y CONTROL OUT	ASS'Y	-	1	-	-
	DB93-02739B	ASS'Y CONTROL OUT	ASS'Y	-	-	-	1
15-1	2501-001236	CAPACITOR-COMP	30uF/450VAC	-	1	1	-
	2501-001234	CAPACITOR-COMP	20uF/450VAC	1	-	-	-
	2501-001238	CAPACITOR-COMP	40uF/450VAC	-	-	-	1
15-2	2301-001375	CAPACITOR-MOTOR	1.5uF/450VAC	1	1	1	1
15-3	DB65-40049E	TERMINAL BLOCK	4P	1	1	1	1
15-4	DB93-01547B	ASS'Y LEAD WIRE	ASS'Y	1	-	1	-
	DB93-01547D	ASS'Y LEAD WIRE	ASS'Y	-	1	-	1
15-5	DB35-00026D	OLP	MRA98776	-	-	1	-
	DB35-00026C	OLP	MRA99137-9201	1	-	-	-
	DB35-00020A	OLP	RAC12144-9622	-	1	-	-
	DB35-00020G	OLP	RAC12110-9622	-	-	-	1
15-6	DB67-60020A	OLP SPRING	STS304	1	1	1	1
15-7	DB33-00028C	ASS'Y SOLENOID	ASS'Y	1	-	1	-
	DB33-00057A	ASS'Y SOLENOID	ASS'Y	-	1	-	1
16	DB96-03167A	ASS'Y TUBE 4WAY VALVE	ASS'Y	-	-	1	-
	DB96-03421A	ASS'Y TUBE 4WAY VALVE	ASS'Y	1	-	-	-
	DB96-03502A	ASS'Y TUBE 4WAY VALVE	ASS'Y	-	1	-	1
17	DB96-03169A	ASS'Y TUBE CAPILLARY	ASS'Y	-	-	1	-
	DB96-03170A	ASS'Y TUBE CAPILLARY	ASS'Y	1	-	-	-
	DB96-03570A	ASS'Y TUBE CAPILLARY	ASS'Y	-	1	-	-
	DB96-03570B	ASS'Y TUBE CAPILLARY	ASS'Y	-	-	-	1
18	DB95-00478A	COMPRESSOR	2P17S235B1A	-	-	1	-
	DB95-00476A	COMPRESSOR	2R13S235A1A-CS	1	-	-	-
	DB95-00396A	COMPRESSOR	44B080JX1EL	-	1	-	-
	DB95-00378A	COMPRESSOR	44B102JX1EL	-	-	-	1
19	DB60-30028A	NUT WASHER	HEX 2C M8 ZPC	3	3	3	3
20	DB63-00929A	GASKET	EPT	1	-	1	-
	DB63-20002A	GASKET	EPDM	-	1	-	1
21	DB63-00928A	COVER TERMINAL	PET	1	-	-	-
	DB63-00927A	COVER TERMINAL	PBT	-	-	1	-
	DB63-10165D	COVER TERMINAL	PBT	-	1	-	1
22	DB81-00484A	NUT FLANGE	STEEL, M5	-	-	1	-
	DB63-00968A	NUT FLANGE	STEEL, M5	1	-	-	-
	DB60-30018A	NUT FLANGE	STEEL, M5	-	1	-	1
23	DB64-01003A	HANDEL CABINET LF	PP	1	1	1	1
24	DB63-00862A	GUARD FAN	PP	1	1	1	1

■ Parts List

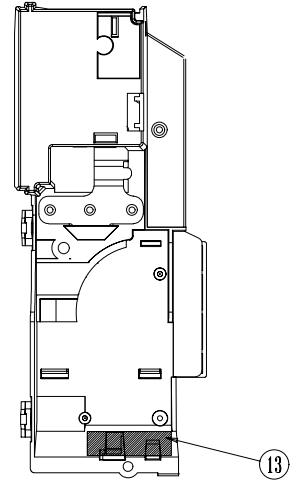
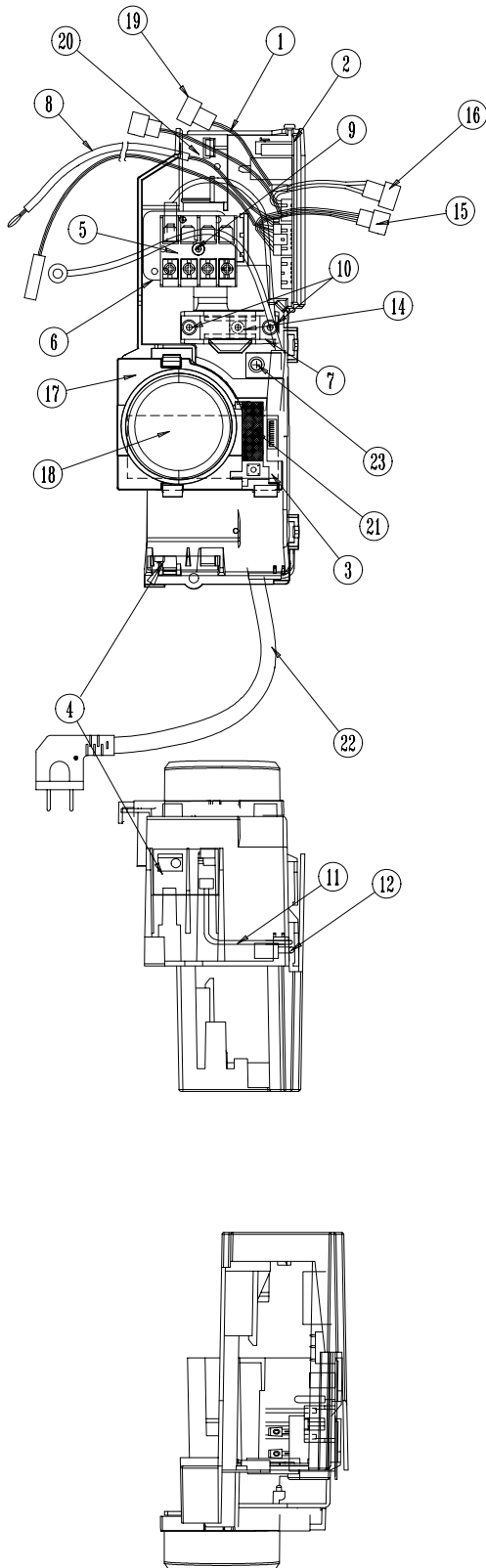
No.	Code No.	Description	Specification	Q'TY			
				SH12ZP4X	SH12ZP4AX UQ12P4GE	UQT12P4GB	UQT12P4GE
1	DB60-30020A	NUT FLANGE	2C,M6,SM20C,NTR	1	1	1	1
2	DB67-50063A	FAN PROPELLER	AS+G/F 20%, ø405	1	1	1	1
3	DB31-10058C	MOTOR FAN OUT	220/240V,50/60Hz	1	1	1	1
4	DB90-01405B	ASS'Y CABINET FRONT	ASS'Y	1	1	1	1
5	DB64-00979A	CABINET SIDE LF	SECC-P	1	1	1	1
6	DB64-00980A	CABINET SIDE RH	SECC-P	1	1	1	1
7	DB63-10443C	COVER E PARTS ASS'Y	ASS'Y	1	1	1	1
8	DB90-01404A	ASS'Y BASE OUTDOOR	ASS'Y	1	1	1	1
9	DB61-01648A	BRACKET VALVE	GALVANIZED STEEL	1	1	1	1
10	DB61-01649A	BRACKET MOTOR	GALVANIZED STEEL	1	1	1	1
11	DB63-00987A	GROMMET-ISOLATOR	NR	3	-	-	-
	DB73-00067A	GROMMET-ISOLATOR	NR	-	-	3	3
	DB73-10004B	GROMMET-ISOLATOR	SILICON	-	3	-	-
12	DB96-02977A	ASS'Y COND	ASS'Y	1	1	-	-
	DB96-03435A	ASS'Y COND	ASS'Y	-	-	1	1
13	DB64-00998A	SCREEN COND	PP	1	1	1	1
14	DB94-00520B	ASS'Y PARTITION	ASS'Y	1	1	1	1
15	DB93-02556J	ASS'Y CONTROL OUT	ASS'Y	-	-	1	-
	DB93-02556H	ASS'Y CONTROL OUT	ASS'Y	-	-	-	1
	DB93-02556F	ASS'Y CONTROL OUT	ASS'Y	1	-	-	-
	DB93-02739C	ASS'Y CONTROL OUT	ASS'Y	-	1	-	-
15-1	2501-001237	CAPACITOR-COMP	35uF/450VAC	1	-	1	1
	2501-001236	CAPACITOR-COMP	30uF/450VAC	-	1	-	-
15-2	2301-001375	CAPACITOR-MOTOR	1.5uF/450VAC	1	1	1	1
15-3	DB65-40049E	TERMINAL BLOCK	4P	1	1	1	1
15-4	DB93-01547B	ASS'Y LEAD WIRE	ASS'Y	1	-	-	-
	DB93-01547E	ASS'Y LEAD WIRE	ASS'Y	-	-	1	1
	DB93-01547D	ASS'Y LEAD WIRE	ASS'Y	-	1	-	-
15-5	-	OLP	INTERNAL	1	-	-	-
	DB35-00028G	OLP	RBC12107-12500	-	-	1	-
	DB35-00028F	OLP	RBC12050-12500	-	-	-	1
	DB35-00015H	OLP	RAC12074-9622	-	1	-	-
15-6	DB67-60020A	OLP SPRING	STS304	1	1	1	1
15-7	DB33-00028C	ASS'Y SOLENOID	ASS'Y	1	-	1	1
	DB33-00007A	ASS'Y SOLENOID	ASS'Y	-	1	-	-
16	DB96-03304A	ASS'Y TUBE 4WAY VALVE	ASS'Y	1	-	-	-
	DB96-03427B	ASS'Y TUBE 4WAY VALVE	ASS'Y	-	-	1	1
	DB96-03501A	ASS'Y TUBE 4WAY VALVE	ASS'Y	-	1	-	-
17	DB96-03565B	ASS'Y TUBE CAPILLARY	ASS'Y	1	1	-	-
	DB96-03322B	ASS'Y TUBE CAPILLARY	ASS'Y	-	-	1	-
	DB96-03565A	ASS'Y TUBE CAPILLARY	ASS'Y	-	-	-	1
18	DB95-00479A	COMPRESSOR	2K21T235AUA	1	-	-	-
	DB95-00515A	COMPRESSOR	48D135IT1EL	-	-	1	-
	DB95-00540A	COMPRESSOR	48D124JT1EL	-	-	-	1
	DB95-00368A	COMPRESSOR	48D129JU1EL	-	1	-	-
19	DB60-30028A	NUT WASHER	HEX 2C M8 ZPC	3	3	3	3
20	DB63-00986A	GASKET	SILICON	1	-	-	-
	DB63-20002A	GASKET	EPDM	-	1	1	1
21	DB63-00985A	COVER TERMINAL	PBT	1	-	-	-
	DB63-10165D	COVER TERMINAL	PBT	-	1	1	1
22	DB81-00484A	NUT FLANGE	STEEL, M5	1	-	-	-
	DB60-30018A	NUT FLANGE	STEEL, M5	-	1	1	1
23	DB64-01003A	HANDEL CABINET LF	PP	1	1	1	1
24	DB63-00863A	GUARD FAN	PP	1	1	1	1

MEMO

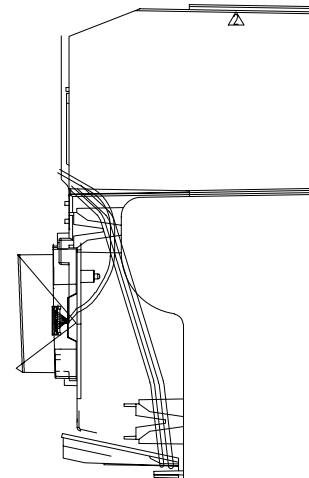
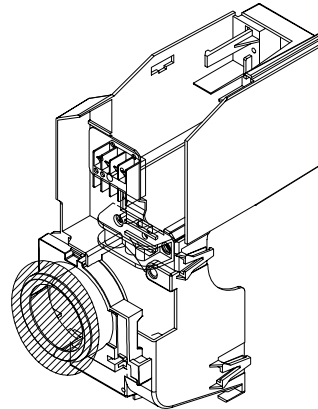
7-3 Ass'y Control In (Indoor Unit)

■ A00*P2G* / SH0*ZP2*(NO PLUG) : DB93-02542A

(PLUG) : DB93-02542B(Ionizer), DB93-02542C(Titanium Filter)



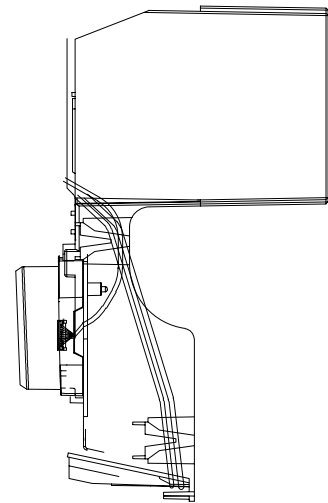
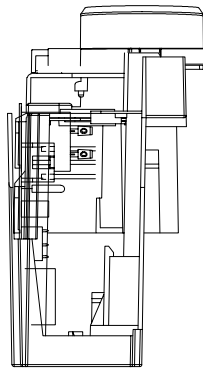
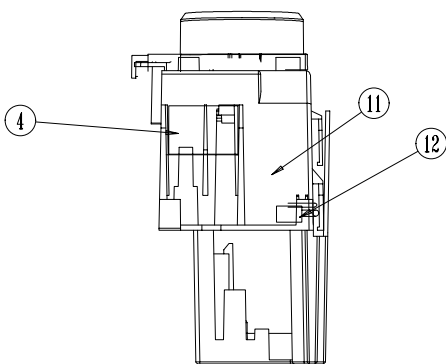
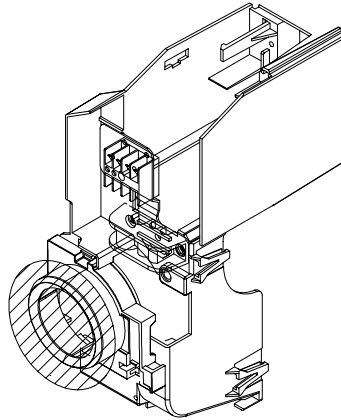
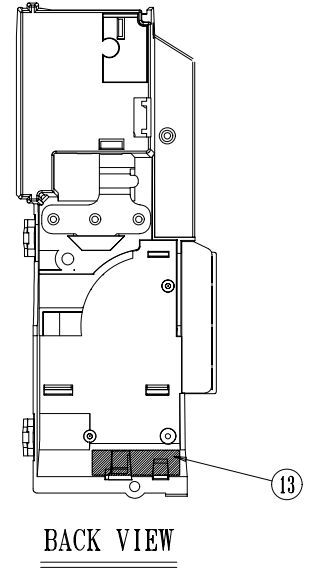
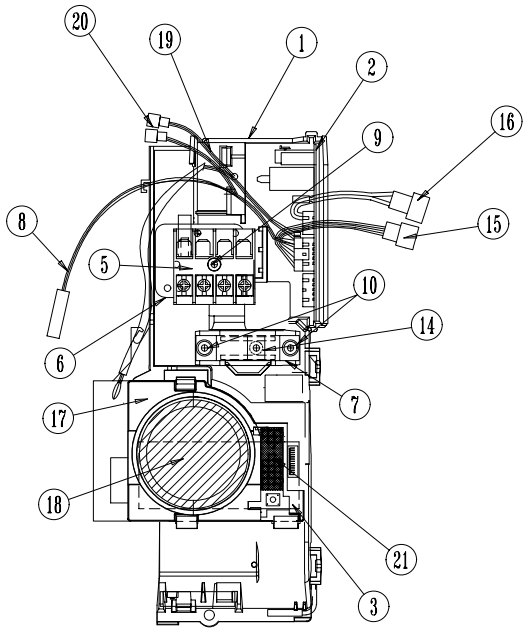
BACK VIEW



■ Parts List

No.	Code No.	Description	Specification	Q'TY	Remark
1	DB61-01127A	CASE-CONTROL AC	ABS	1	
2	DB93-02572A	ASS'Y-MAIN PCB	ASS'Y	1	
3	DB93-01368G	ASS'Y S/W & DISPLAY PCB	ASS'Y	1	
4	DB93-01369A	ASS'Y-MODULE PCB	ASS'Y	1	
5	DB65-00103B	ASS'Y TERMINAL BLOCK	ASS'Y	1	
6	DB70-00289A	PLATE TERMINAL LOW	SGCC-M,T1.2	1	
7	DB61-00171A	HOLDER WIRE CRAMP	HIPS	1	
8	DB32-00020A	ASS'Y THERMISTOR	ASS'Y	1	
9	6001-000929	SCREW-MACHINE	PH M3xL22	1	
10	6001-000725	SCREW-MACHINE	TH M4xL16	2	
11	DB93-01380B	C/W MODULE	ASS'Y	1	
12	DB39-00643M	C/W STEP MOTOR UP/DOWN	ASS'Y	1	
13	DB62-01368X	SEAL	61x40x3,30FOAM-PE,GRAY	1	
14	-	SCREW-MACHINE	PH M4x10	1	
15	DB39-00780B	C/W STEPPING MOTOR	ASS'Y(AUTO GRILLE)	1	
16	DB39-00820A	C/W ION-PCB	ASS'Y	1	DB93-02542A/B
17	DB61-01110A	HOLDER-DISPLAY	ABS	1	
18	DB64-00763A	HALF MIRROR	95,T1.5	1	
19	DB93-01387A	ASS'Y PCB HVPS	ASS'Y	1	DB93-02542C
20	DB39-00866B	ASS'Y C/W HVPS(12V)	ASS'Y	1	DB93-02542C
21	DB72-00126N	SEAL	T3,FOAM-PE,GRAY	1	
22	3903-000095	POWER CORD	PLUG	1	
	DB93-01549B	POWER CORD	NO PLUG	1	
23	6001-001054	SCREW-MACHINE	TH M4xL10	1	

■ AQ(T)12P4G* / SH12ZP4* : DB93-02541A(Ionizer)
DB93-02541B(Titanium Filter)



■ Parts List

No.	Code No.	Description	Specification	Q'TY	Remark
1	DB61-01631A	CASE-CONTROL AC	ABS	1	
2	DB93-02572A	ASS'Y-MAIN PCB	ASS'Y	1	
3	DB93-01368G	ASS'Y S/W & DISPLAY PCB	ASS'Y	1	
4	DB93-01369A	ASS'Y-MODULE PCB	ASS'Y	1	
5	DB93-02508A	ASS'Y TERMINAL BLOCK	ASS'Y	1	
6	DB70-00289A	PLATE TERMINAL LOW	SGCC-M,T1.2	1	
7	DB61-00171A	HOLDER WIRE CRAMP	HIPS	1	
8	DB32-00020A	ASS'Y THERMISTOR	ASS'Y	1	
9	6001-000929	SCREW-MACHINE	PH M3xL22	1	
10	6001-000725	SCREW-MACHINE	TH M4xL16	2	
11	DB93-01380A	C/W MODULE	ASS'Y	1	
12	DB39-00643F	C/W STEP MOTOR UP/DOWN	ASS'Y	1	
13	DB62-01368X	SEAL	61x40x3,30FOAM-PE,GRAY	1	
14	-	SCREW-MACHINE	PH M4x10	1	
15	DB39-00780B	C/W STEPPING MOTOR	ASS'Y(AUTO GRILLE)	1	
16	DB39-00820A	C/W ION-PCB	ASS'Y	1	DB93-02541A
17	DB61-01110A	HOLDER-DISPLAY	ABS	1	
18	DB64-00763A	HALF MIRROR	95,T1.5	1	
19	DB93-01387A	ASS'Y PCB HVPS	ASS'Y	1	DB93-02541B
20	DB39-00866B	ASS'Y C/W HVPS(12V)	ASS'Y	1	DB93-02541B
21	DB72-00126N	SEAL	T3,FOAM-PE,GRAY	1	