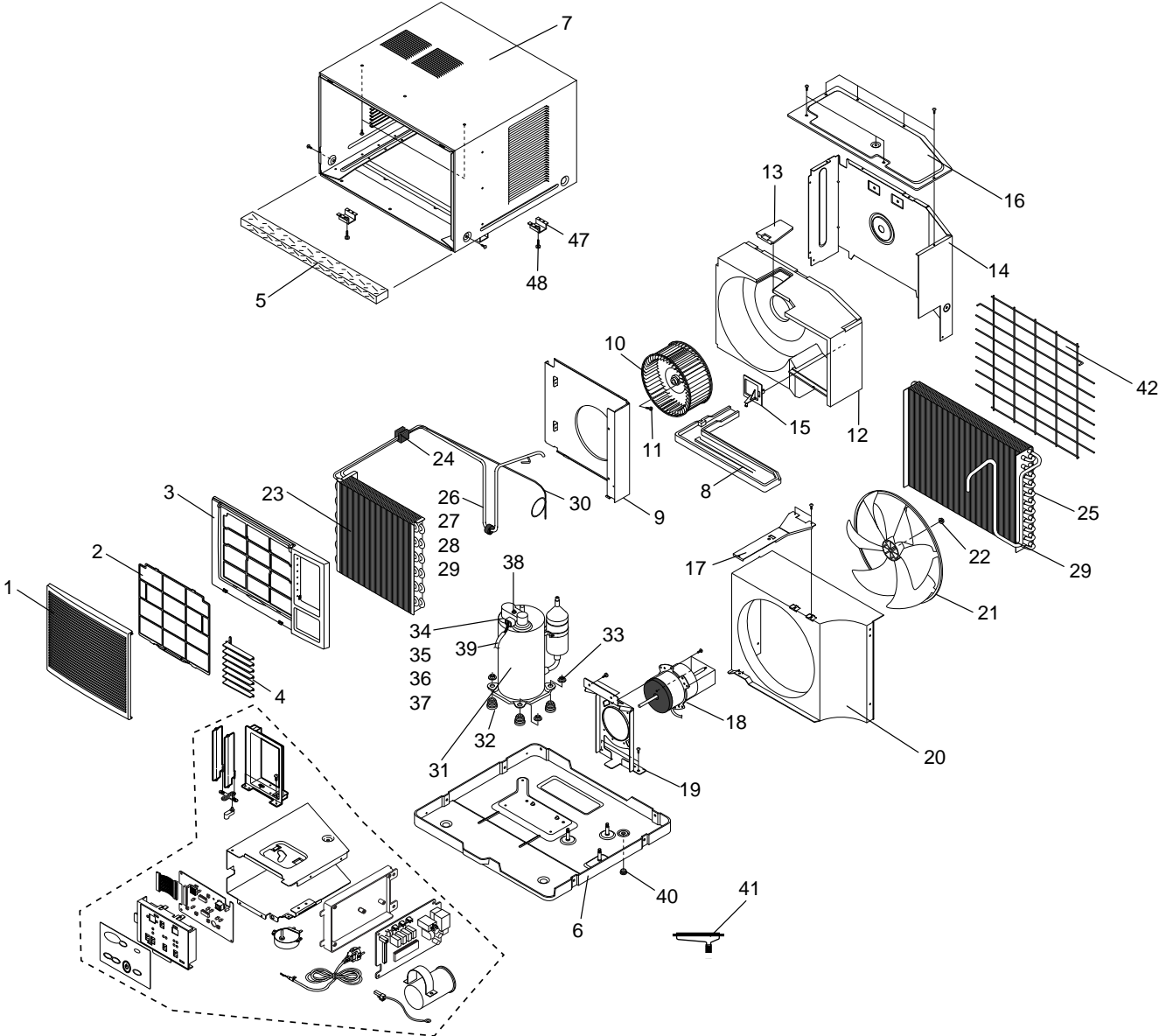


6. Exploded View and Parts List

6-1 AZ09A7KE

6-1-1 Main unit

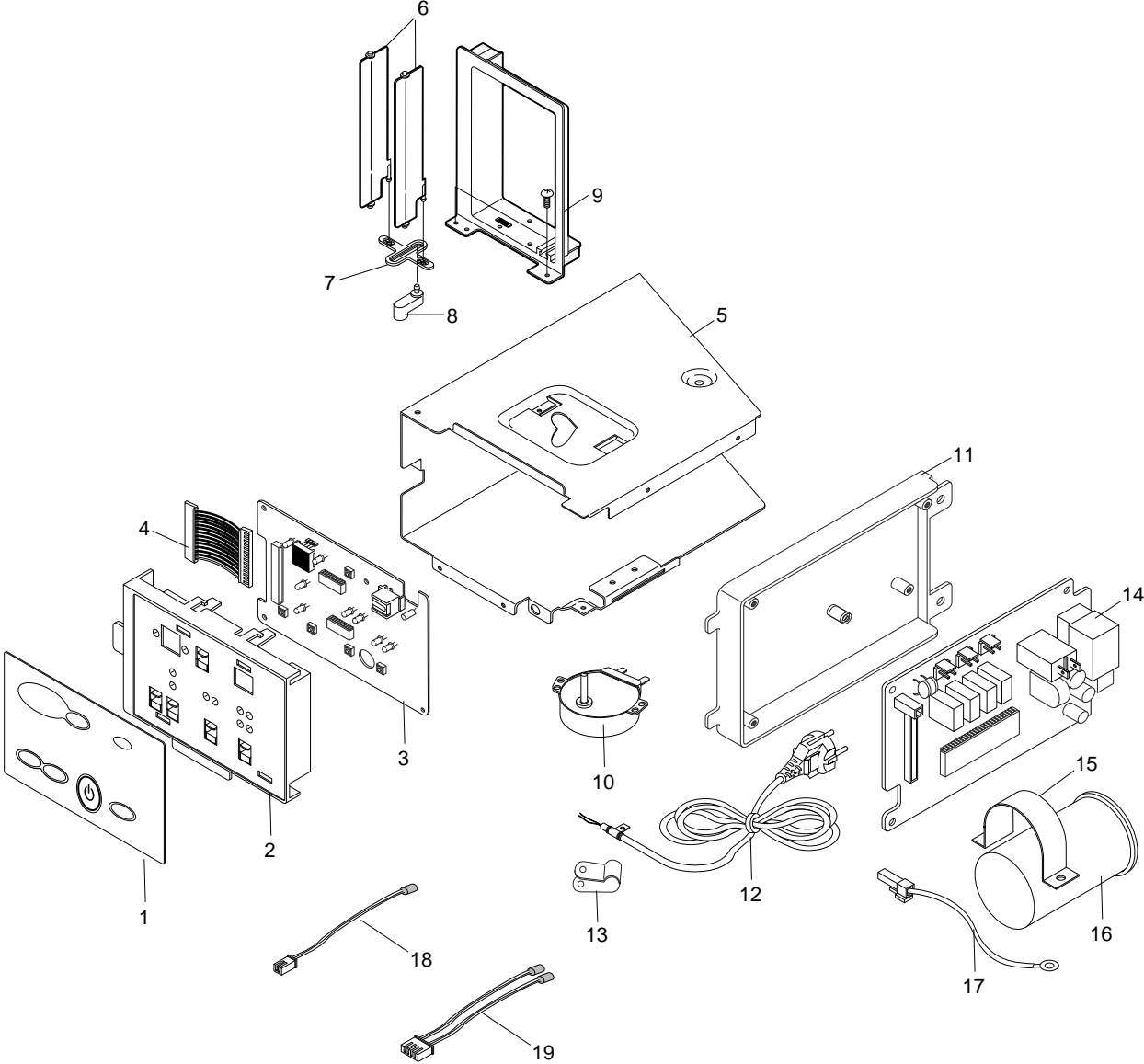


Ass'y-Control & Ass'y-Frame blade

■ Part List

| No. | Code No. | Description | Specification | Q'TY | Remarks |
|-----|---------------|---------------------|------------------|----------|---------|
| | | | | AZ09A7KE | |
| 1 | DB64 - 10158A | GRILLE AIR INLET | HIPS | 1 | |
| 2 | DB63 - 30158A | GUARD AIR FILTER | HIPS | 1 | |
| 3 | DB92 - 70096A | ASSY PANEL FRONT | AZ09A7KE, ASSY | 1 | |
| 4 | DB66 - 30191A | BLADE H | HIPS | 1 | |
| 5 | DB72 - 10102G | SEAL CABI FRONT | FOAM - PU, T10 | 1 | |
| 6 | DB90 - 20193A | ASSY PLATE BOTTOM | AWH090ZE, ASSY | 1 | |
| 7 | DB90 - 00132B | ASSY CABINET | AZ09A7KE, ASSY | 1 | |
| 8 | DB63 - 40009A | TRAY DRAIN | FOAM - PS | 1 | |
| 9 | DB67 - 30012A | PLATE EVAP CASING | SGCC - M, T0.8 | 1 | |
| 10 | DB67 - 50051A | BLOWER | ASSY | 1 | |
| 11 | DB60 - 20019A | BOLT SPECIAL | M6 x 11 | 1 | |
| 12 | DB61 - 10012A | CASE EVAP | FOAM - PS | 1 | |
| 13 | DB63 - 10121A | COVER EVAP CASE | FOAM - PS | 1 | |
| 14 | DB94 - 50024A | ASSY PARTITION | ASSY | 1 | |
| 15 | DB75 - 10001A | COVER DAMPER | PP, BLK | 1 | |
| 16 | DB63 - 10082A | COVER EVAP | SGCC - M, T0.8 | 1 | |
| 17 | DB67 - 90003A | REINF PARTITION | SGCC - M, T1.0 | 1 | |
| 18 | DB95 - 20134C | MOTOR ASSY | AMASS - 040XEA | 1 | ▲ |
| 19 | DB61 - 30484A | SUPPORTER MOTOR | SGCC - M, T1.2 | 1 | |
| 20 | DB61 - 10029A | CASE COND | PP, BLK | 1 | |
| 21 | DB67 - 50031B | FAN PROPELLER | ABS + G/F | 1 | |
| 22 | DB60 - 30004A | NUT FRANGE | M6 | 1 | |
| 23 | DB96 - 40172B | EVAPORATOR | | 1 | |
| 24 | DB72 - 50178A | INSULATION TUBE | NBR | 1 | |
| 25 | DB96 - 30270C | CONDENSER | | 1 | |
| 26 | DB62 - 31715A | TUBE 4WAY ASSY | ASSY | 1 | |
| 27 | DB62 - 31699A | TUBE SUCTION | OD9.52 | 1 | |
| 28 | DB62 - 31698A | TUBE DISCHARGE | OD9.52 | 1 | |
| 29 | DB62 - 40035A | VALVE 4WAY | ASSY | 1 | |
| 30 | DB62 - 31697A | TUBE CAPILLARY COOL | ID1.5 | 1 | |
| 31 | 44B092JW1EG | 44B092JW1EG | | 1 | ▲ |
| 32 | DB73 - 10004A | GROMMET ISOLATOR | EPDM | 3 | |
| 33 | 6021 - 000124 | NUT HEX | M8 | 3 | |
| 34 | DB63 - 20002A | GASKET | NR | 1 | |
| 35 | DB67 - 60020A | SPRING OLP | STS304 | 1 | |
| 36 | DB47 - 20002B | O.L.P | MRA12037 - 12007 | 1 | ▲ |
| 37 | DB63 - 10026A | TERMINAL COVER | NORYL | 1 | |
| 38 | DB60 - 30018A | NUT FRANGE | M5 | 1 | |
| 39 | DB93 - 50012E | ASSY WIRE COMP | ASSY | 1 | |
| 40 | DB63 - 10355A | CAP DRAIN | NR, BLK | 1 | |
| 41 | DB67 - 20019A | DRAIN PAN OUT | PP, BLK | 1 | |
| 42 | DB71 - 40001B | BAR STEEL | HSWR | 1 | |

6-1-2 Ass'y Control

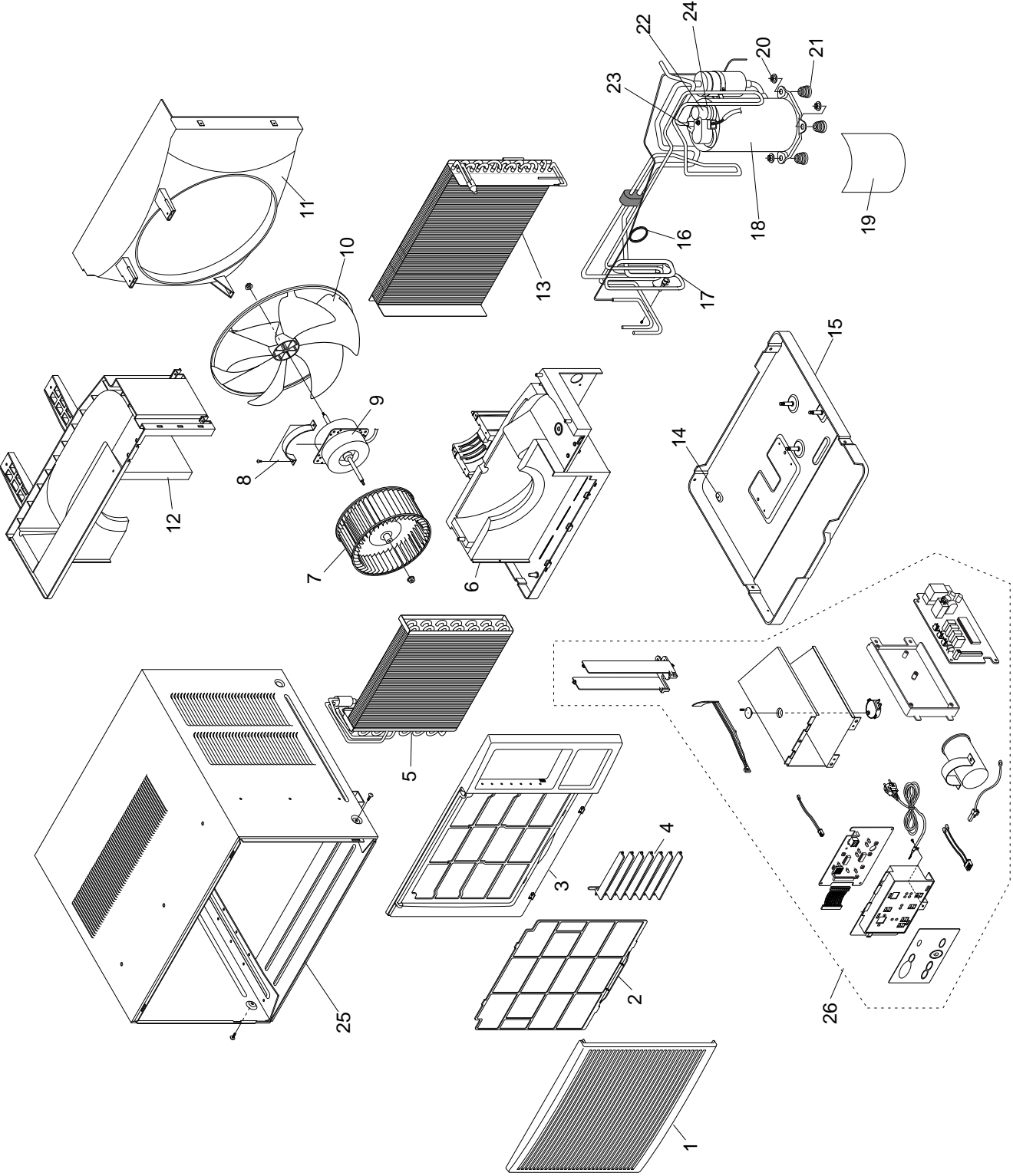


■ Part List

| No. | Code No. | Description | Specification | Q'TY | Remarks |
|-----|------------------|----------------------|--------------------------|----------|---------|
| | | | | AZ09A7KE | |
| 0 | DB93 - 00187A | ASSY - CONTROL | AZ09A7KE | 1 | ▲ |
| 1 | DB64 - 40183H | INLAY - CONTROL | PC, 0.3, AZ09A7KE | 1 | |
| 2 | DB64 - 70095A | PANEL - CONTROL, E | PS, -, -, -, AW09A0KE, - | 1 | |
| 3 | PD-Z09A8K-P2 | ASS'Y - PCB PANEL | AZ09A7KE | 1 | ▲ |
| 4 | DB39 - 20358B | CONNECT WIRE - DISPL | AWG26/18 | 1 | |
| 5 | DB61 - 10176A | CASE-CONTROL, E | SGCC-M | 1 | |
| 6 | DB66 - 30038B | BLADE V | ABS | 2 | |
| 7 | DB66 - 60009B | LINK BLADE V | ABS | 1 | |
| 8 | DB75 - 20017B | JOINT ROD | ABS, SC-94445R | 1 | |
| 9 | DB61 - 60031D | ASS'Y FRAME | ASSY | 1 | |
| 10 | DB95 - 20060A | ASS'Y - MOTOR GEARD | 5/6RPM M2LJ49ZR42, - | 1 | |
| 11 | DB61 - 40278A | COVER - PCB | PS, T2 | 1 | |
| 12 | DB39 - 10062U | POWER CORD | UCP-2, 250V | 1 | |
| 13 | DB65 - 10083A | CLAMP CABLE | NY66 DA - 5N | - | |
| 14 | PD - Z09A8K - 02 | ASS'Y - PCB MAIN | AZ09A7KE | 1 | ▲ |
| 15 | DB65 - 10008B | CLIP, CAPACITOR | SGCC - M | 1 | |
| 16 | 2501 - 001168 | C - OIL | 3/30μF, 370V | 1 | ▲ |
| 17 | DB39 - 20434G | LEAD WIRE | AWM1015 | 1 | |
| 18 | DB32 - 10051A | THERMISTOR | AWH126JE | 1 | |
| 19 | DB32 - 10045B | THERMISTOR - COND | 10KD | 1 | |

6-2 AZ12A7JE

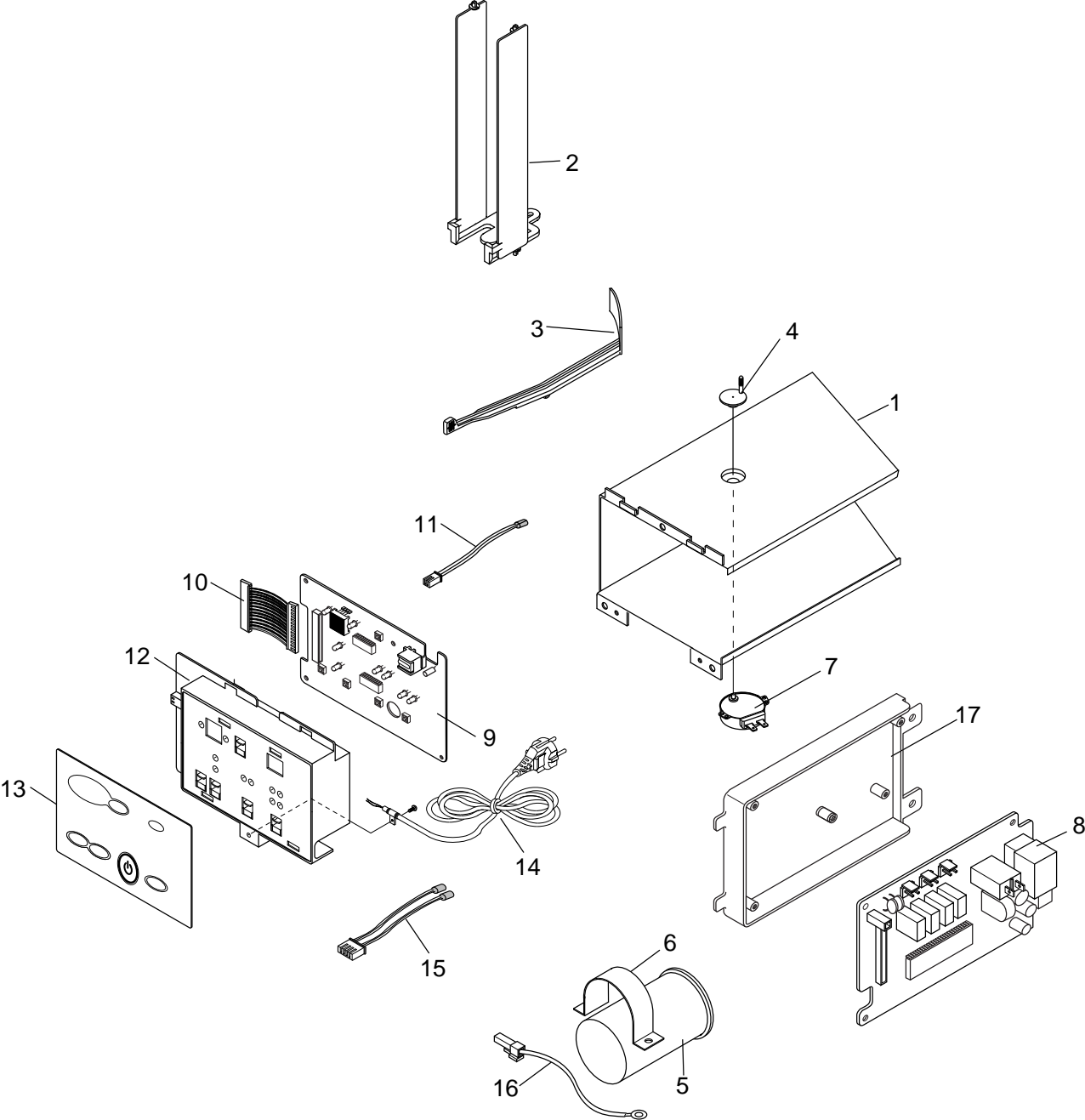
6-2-1 Main unit



■ Part List

| No. | Code No. | Description | Specification | Q'TY | Remarks |
|-----|---------------|----------------------|-------------------|----------|---------|
| | | | | AZ12A7JE | |
| 1 | DB64 - 10145A | GRILLE AIR INLET | HIPS | 1 | |
| 2 | DB63 - 30142C | GUARD AIR FILTER | HIPS | 1 | |
| 3 | DB92 - 10319G | ASSY PANEL FRONT | ASSY | 1 | |
| 4 | DB66 - 30169A | BLADE H | PP | 1 | |
| 5 | DB96 - 40176A | ASSY EVAP | ASSY | 1 | |
| 6 | DB90 - 50133A | ASSY FRAME LOW | ASSY | 1 | |
| 7 | DB67 - 50073A | BLOWER | AWH120JE | 1 | |
| 8 | DB65 - 10101A | CLIP MOTOR | SECC - P | 1 | |
| 9 | DB31 - 10145A | MOTOR | AMAFS - 100ATEA | 1 | ▲ |
| 10 | DB67 - 50072A | FAN PROPELLER | ABS + G/F | 1 | |
| 11 | DB90 - 00142A | ASSY CASE COND | PP + FOAM PU | 1 | |
| 12 | DB90 - 50142C | ASSY FRAME UP | ASSY | 1 | |
| 13 | DB96 - 30283A | ASSY COND | ASSY | 1 | |
| 14 | DB63 - 10355A | CAP DRAIN | CR | 1 | |
| 15 | DB90 - 20184A | ASSY BASE | ASSY (48F) | 1 | |
| 16 | DB62 - 31722A | ASSU TUBE CAPILLARY | ID1.7 x L1300 | 1 | |
| 17 | DB96 - 10591A | ASSY TUBE 4WAY VALVE | ASSY | 1 | |
| 18 | 48A124JV1EG | ASSY COMP | 48A124JV1EG | 1 | ▲ |
| 19 | DB72 - 50585A | CLOTH SOUND | T12 | 1 | |
| 20 | DB60 - 30028A | NUT WASHER | M8 | 3 | |
| 21 | DB73 - 10004A | GROMMET ISOLATOR | EPDM | 3 | |
| 22 | DB63 - 10026A | COVER TERMINAL | NORYL | 1 | |
| 23 | DB60 - 30018A | NUT FRANGE | M5 | 1 | |
| 24 | DB47 - 20001Z | OLP | MRA12030 - 120081 | | ▲ |
| 25 | DB90 - 00134A | ASSY CABINET | ASSY | 1 | |
| 26 | DB93 - 00292B | ASSY CONTROL | AZ12A7JE | 1 | |

6-2-2 Ass'y Control

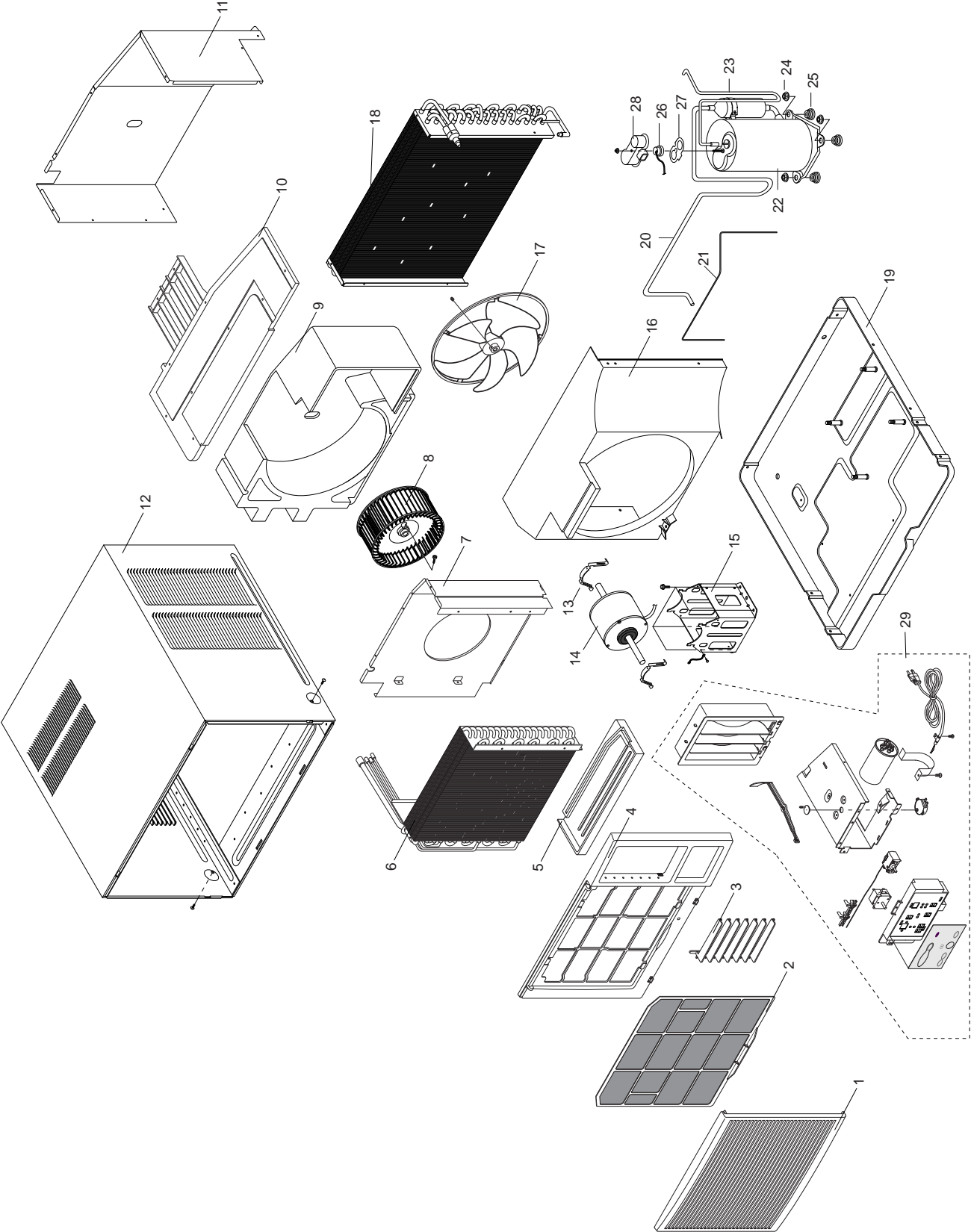


■ Part List

| No. | Code No. | Description | Specification | Q'TY | Remarks |
|-----|------------------|-------------------|------------------|----------|---------|
| | | | | AZ12A7JE | |
| 0 | DB93 - 00292B | ASSY CONTROL | | 1 | |
| 1 | DB61 - 10169A | CASE CONTROL | SECC-P, T0.8 | 1 | |
| 2 | DB66 -30170A | BLADE - V | PP | 1 | |
| 3 | DB66 -70024A | LEVER DAMPER | HIPS | 1 | |
| 4 | DB66 -70022D | ARM-BLADE | ABS | 1 | |
| 5 | 2501 - 001124 | C - OIL | 3.5/30uF, 450VAC | - | |
| 6 | DB65 - 10008B | CLIP - CAPACITOR | SECC-P, T0.8 | 1 | |
| 7 | DB95 - 20065F | SWING MOTOR | M2LJ49ZU32 | 1 | |
| 8 | PD - Z09A8K - 02 | ASSY MAIN PCB | AZ12A7JE | 1 | |
| 9 | PD - Z09A8K - P2 | ASSY PANEL PCB | AZ12A7JE | 1 | |
| 10 | DB39 - 20358B | C/W DISPLAY | AWG 26/28 | 1 | |
| 11 | DB32 - 10051A | THERMISTOR | 103AT | 1 | |
| 12 | DB64 - 70091A | PANEL - CONTROL E | HIPS | 1 | |
| 13 | DB64 - 40183H | INLAY - CONTROL E | AW12A8JB | 1 | |
| 14 | DB39 - 10086D | POWER CORD | UCP - 2, 250V | 1 | |
| 15 | DB32 - 10045C | THERMISTOR - COND | 10KD | 1 | |
| 16 | DB39 - 20434G | LEAD WIRE | AWM1015 | 1 | |
| 17 | DB61 - 40278A | COVER - PCB | PS, T2 | 1 | |

6-3 AZ18A7WE

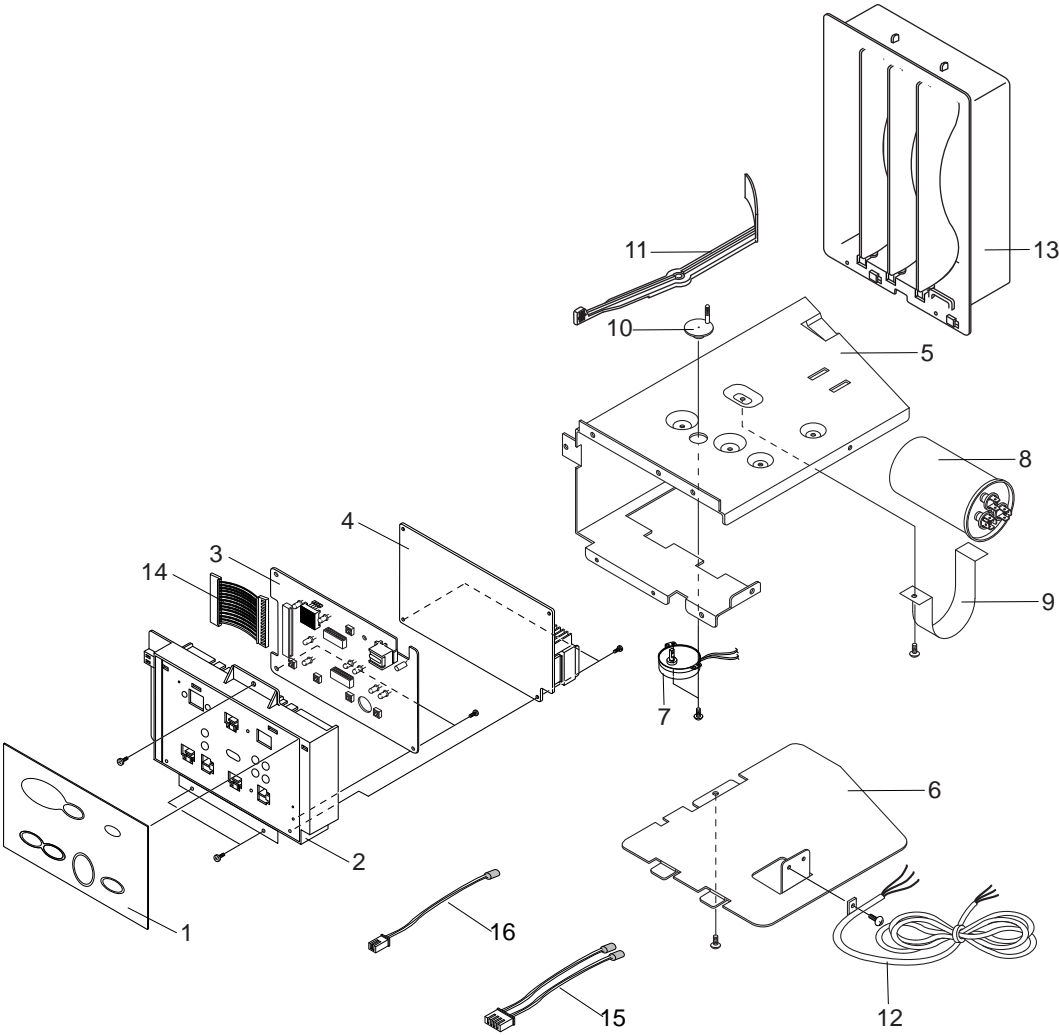
6-3-1 Main unit



■ Part List

| No. | Code No. | Description | Specification | Q'TY | Remarks |
|-----|---------------|------------------------|--------------------|----------|---------|
| | | | | AZ18A7WE | |
| 1 | DB64 - 10163A | GRILLE AIR INLET | HIPS | 1 | |
| 2 | DB63 - 30167C | GUARD AIR FILTER | HIPS | 1 | |
| 3 | DB66 - 30205A | BLADE H | PP | 1 | |
| 4 | DB92 - 70101F | ASSY PANEL FRONT | ASSY | 1 | |
| 5 | DB63 - 40013A | TRAY DRAIN | FOAM PS | 1 | |
| 6 | DB96 - 40166A | ASSY EVAP | ASSY | 1 | |
| 7 | DB96 - 00073A | ASSY PLATE EVAP CASING | ASSY | 1 | |
| 8 | DB94 - 30080A | ASSY BLOWER | ASSY | 1 | |
| 9 | DB96 - 00074A | ASSY EVAP CASING | FOAM PS | 1 | |
| 10 | DB90 - 00054B | ASSY COVER EVAP | ASSY | 1 | |
| 11 | DB70 - 10602A | PLATE PARTITION | SGCC - M, T0.8 | 1 | |
| 12 | DB90 - 00135A | ASSY CABINET | ASSY | 1 | |
| 13 | DB65 - 10089A | CLIP MOTOR | SK5-CSP | 2 | |
| 14 | DB31 - 10117C | MOTOR | IC - 13435SWJ5A | 1 | ▲ |
| 15 | DB61 - 30452C | SUPPORTER MOTOR | ASSY | 1 | |
| 16 | DB61 - 10183A | CASE COND | PP | 1 | |
| 17 | DB67 - 50028A | FAN PROPELLER | ABS + G/F | 1 | |
| 18 | DB96 - 30263B | ASSY COND | ASSY | 1 | |
| 19 | DB90 - 00125B | ASSY BASE | ASSY, SECC - P | 1 | |
| 20 | DB62 - 31613A | ASSY TUBE 4WAY | AZ18A7WE | 1 | ▲ |
| 21 | DB96 - 10564A | ASSY TUBE CAPILLARY | ID2.0 x L1000 | 1 | |
| 22 | 48B180JV1EH | ASSY COMP | 48B180JV1EH | 1 | ▲ |
| 23 | DB96 - 10557A | ASSY TUBE D/BUTER | ASSY | 1 | |
| 24 | DB60 - 30028A | NUT WASHER | M8 | 3 | |
| 25 | DB73 - 10004A | GROMMET ISOLATOR | EPDM | 3 | |
| 26 | DB47 - 20001P | OLP | MRA12016 - 12007 | 1 | ▲ |
| 27 | DB63 - 20002A | GASKET | EPDM | 1 | |
| 28 | DB63 - 10026A | COVER TERMINAL | NORYL | 1 | |
| 29 | DB93 - 00173F | ASSY CONTROL | AZ18A7WE (UCP - 2) | 1 | |

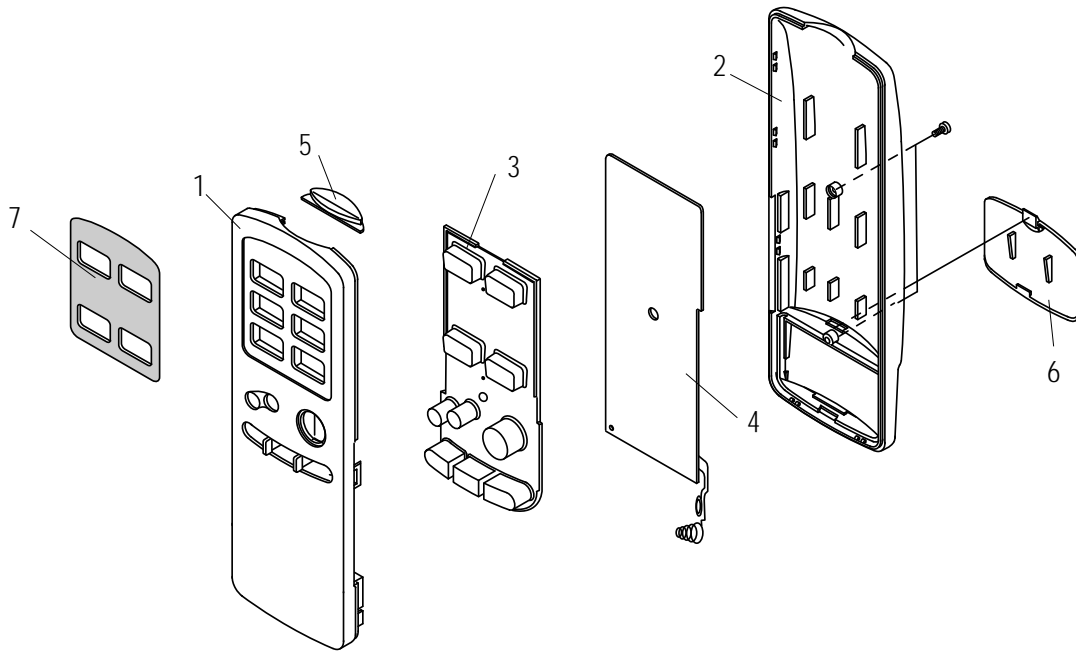
6-3-2 Ass'y Control



■ Part List

| No. | Code No. | Description | Specification | Q'TY | Remarks |
|-----|------------------|-------------------------|----------------|----------|---------|
| | | | | AZ18A7WE | |
| 0 | DB93 - 00173F | ASSY CONTROL | AZ18A7WE | 1 | |
| 1 | DB64 - 00009D | INLAY CONTROL | PC | 1 | |
| 2 | DB64 - 70101A | PANEL CONTROL E | HIPS | 1 | |
| 3 | PD - Z09A8K - P2 | ASSY PANEL PCB | AZ18A7WE | 1 | |
| 4 | PD - Z09A8K - 06 | ASSY MAIN PCB | AZ18A7WE | 1 | |
| 5 | DB61 - 10184A | CASE CONTROL | SGCC-M | 1 | |
| 6 | DB61 - 00010A | CASE CONTROL B | SGCC-M | 1 | |
| 7 | DB95 - 20065F | ASSY MOTOR SWING | M2LJ49ZU32 | 1 | |
| 8 | 2501 - 001059 | C OIL | 40/6uF, 450VAC | 1 | |
| 9 | DB65 - 10008A | CLIP CAPACITOR | SGCC-M | 1 | |
| 10 | DB66 - 70029A | ARM BLADE | POM | 1 | |
| 11 | DB66 - 70024A | LEVER DAMPER | HIPS | 1 | |
| 12 | DB39 - 10086D | POWER CORD | UCP - 2, 15A | 1 | |
| 13 | DB90 - 50161B | ASSY FRAME BLADE | ASSY | 1 | |
| 14 | DB39 - 20358B | CONNECTOR WIRE - DISPLY | AWG26/18 | 1 | |
| 15 | DB32 - 10045D | THERMISTOR - COND | 10KD | 1 | |
| 16 | DB32 - 10051A | THERMISTOR | 103AT | 1 | |

6-3 ASS'Y REMOCON(DB93-30067M)



■ Part List

| No. | Code No. | Description | Specification | Q'TY | Remarks |
|-----|---------------|-------------------|---------------|------|---------|
| | DB93 - 30067M | ASS'Y REMOCON | ARH - 202 | 1 | |
| 1 | DB61 - 10150A | CASE REMOCON(UPP) | ABS | 1 | |
| 2 | DB61 - 10145A | CASE REMOCON(LW) | ABS | 1 | |
| 3 | DB73 - 20112B | RUBBER(BT) | NBR | 1 | |
| 4 | DB93 - 10516B | ASS'Y REMOCON PCB | AWH126JE | 1 | |
| 5 | DB74 - 10084A | FILTER - REMOCON | PC | 1 | |
| 6 | DB63 - 10477A | COVER BATTERY | ABS | 1 | |
| 7 | DB64 - 40108B | INLAY - FEMOCON | PC | 1 | |