



ROOM AIR CONDITIONER

AXG-series

(50Hz)

SERVICE MANUAL

Models : AXG18AAZ-W
AXG18ABZ-W
AXG18ANZ-W
AXG18ACZ-W
AXG18APZ-W

CONTENTS

SPECIFICATIONS	1
CIRCUIT DIAGRAM	2
DISASSEMBLY ILLUSTRATION	3
PARTS LIST	7

S P E C I F I C A T I O N S

Models	AXG18AAZ-W,AXG18ABZ-W,AXG18ANZ-W AXG18ACZ-W,AXG18APZ-W	
Cooling capacity	(kW)	5.20/5.10

ELECTRICAL DATA

Power source	(V)	240/220
Frequency	(Hz)	50
Running current	(A)	9.3/9.8
Starting current	(A)	50
Input watts	(kW)	2.21/2.13
EER	(kW/kW)	2.35/2.39
Fuse	(A)	20

COMPRESSOR

Type	Hermetic type, Permanent split condenser, 2 pole, Single phase, Induction motor	
Code	AWG5524EXC-3-C, AX Type 3 Leg 240/220V - 50Hz	
Refrigerant R-22	(g)	950

FAN MOTOR

Code	MFC-186TT 240/220V - 50Hz	
High power	(r.p.m.)	1,035/965
Super quiet	(r.p.m.)	780/700

DIMENSIONS

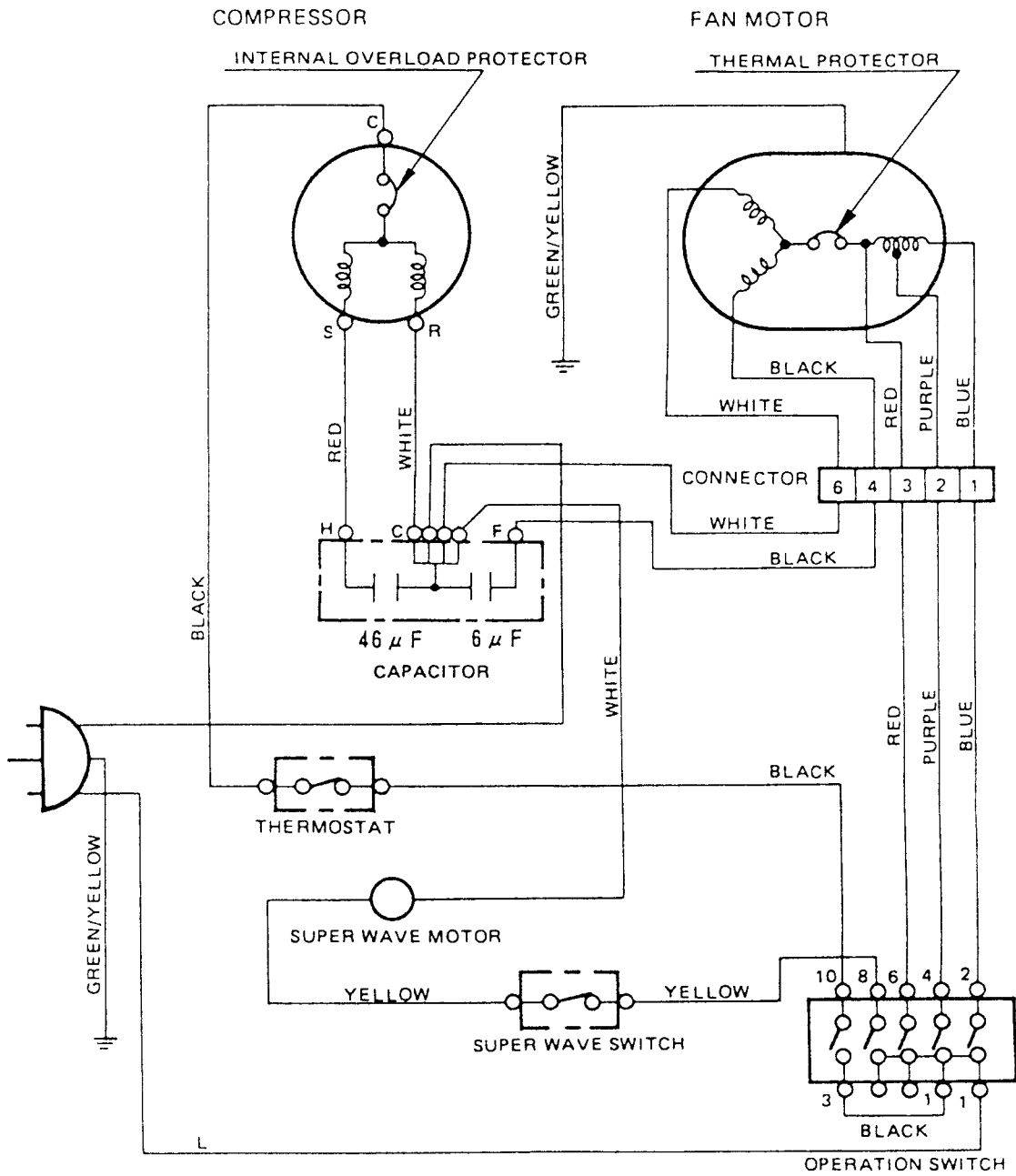
Height x Width x Depth	(mm)	455 x 670 x 705
------------------------	------	-----------------

WEIGHTS

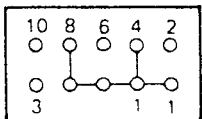
Gross weight	(kg)	78
Net weight	(kg)	68

Moisture removal	(ℓ/hr)	2.7
------------------	--------	-----

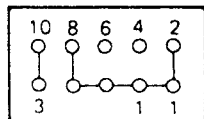
CIRCUIT DIAGRAM



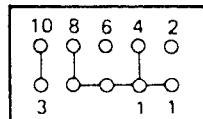
OPERATION SWITCH INTERNAL CONNECTIONS



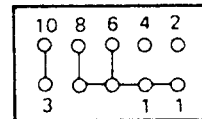
FAN



SUPER QUIET

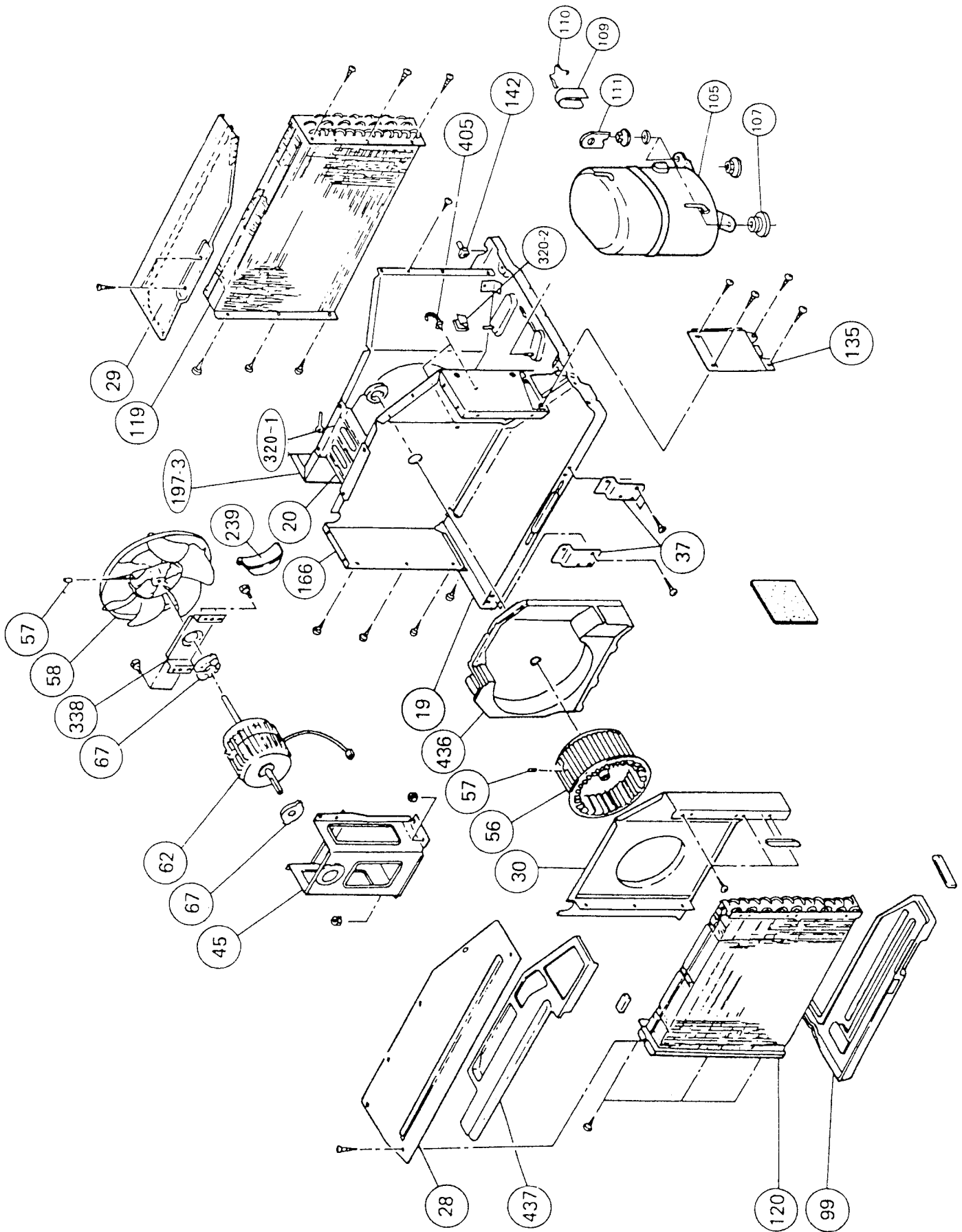


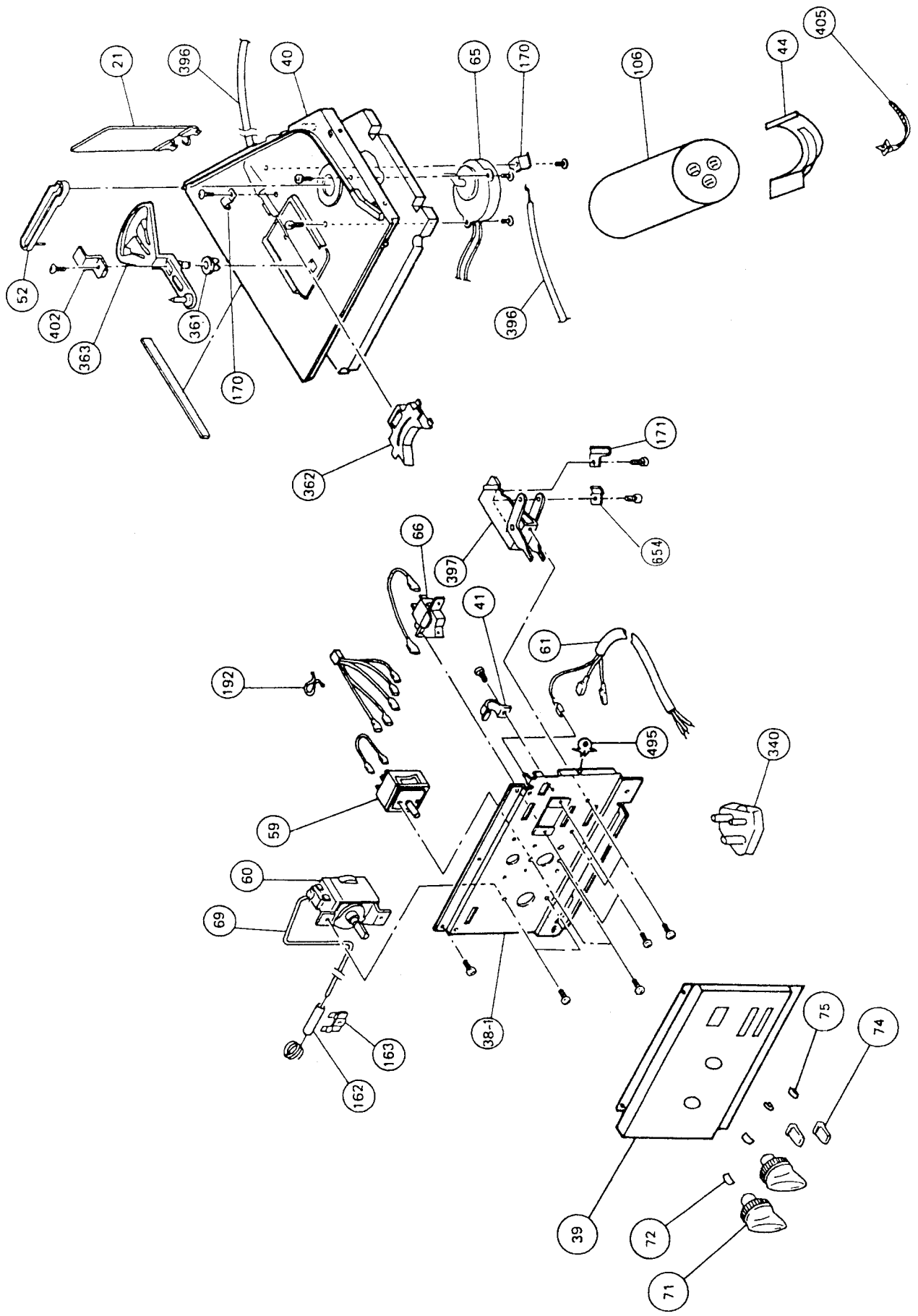
NORMAL

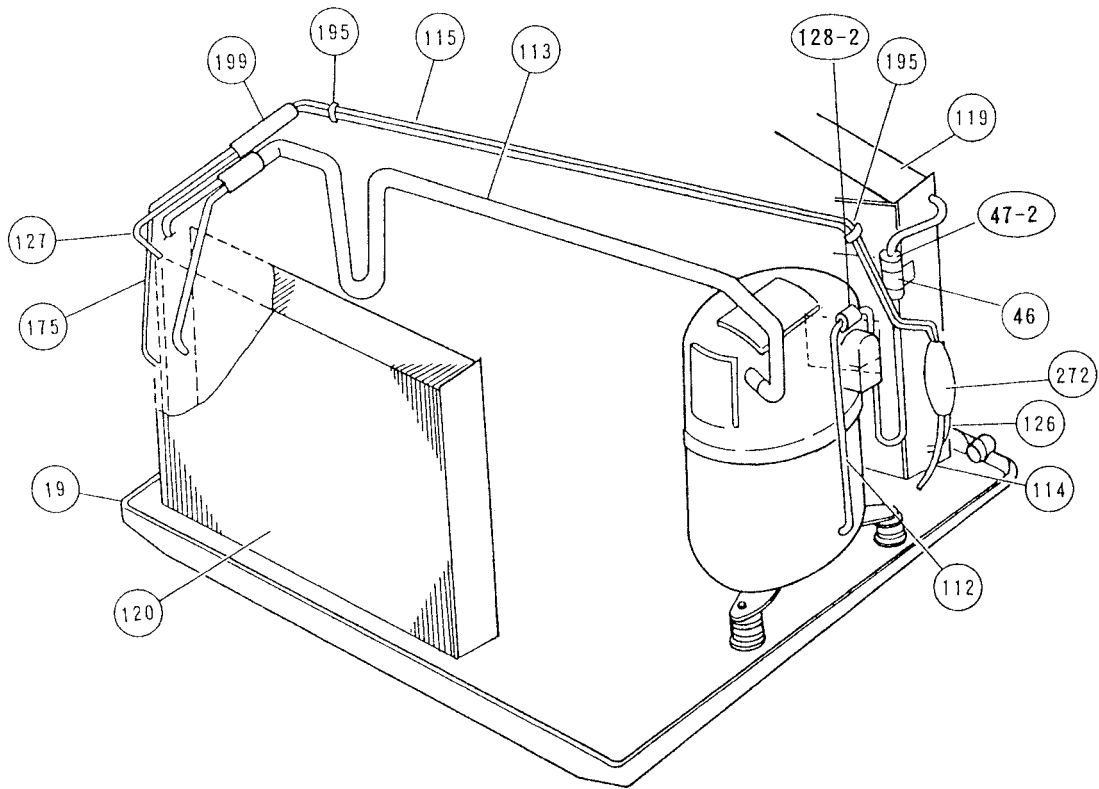


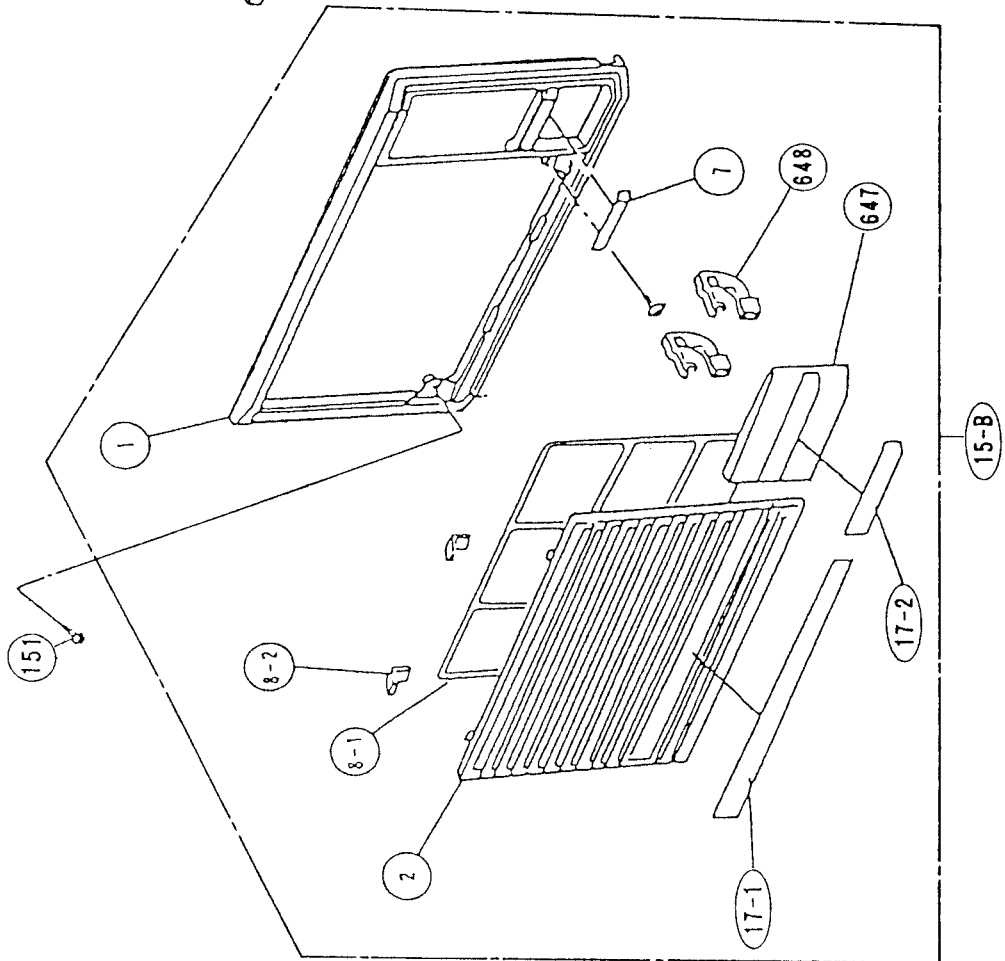
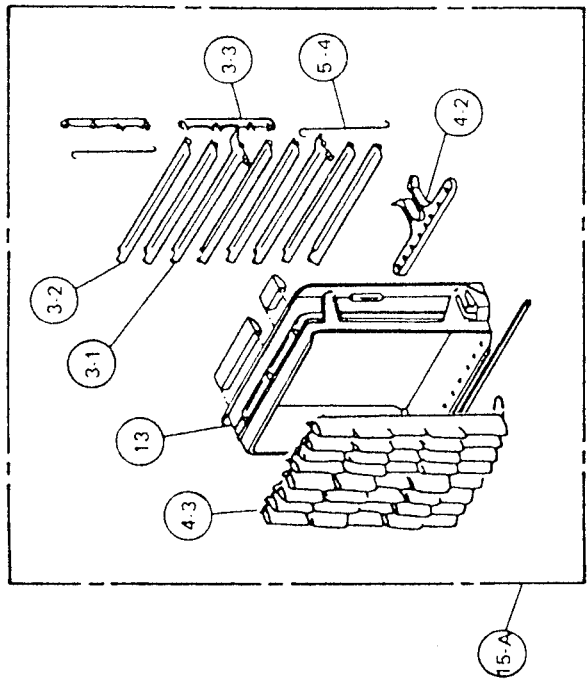
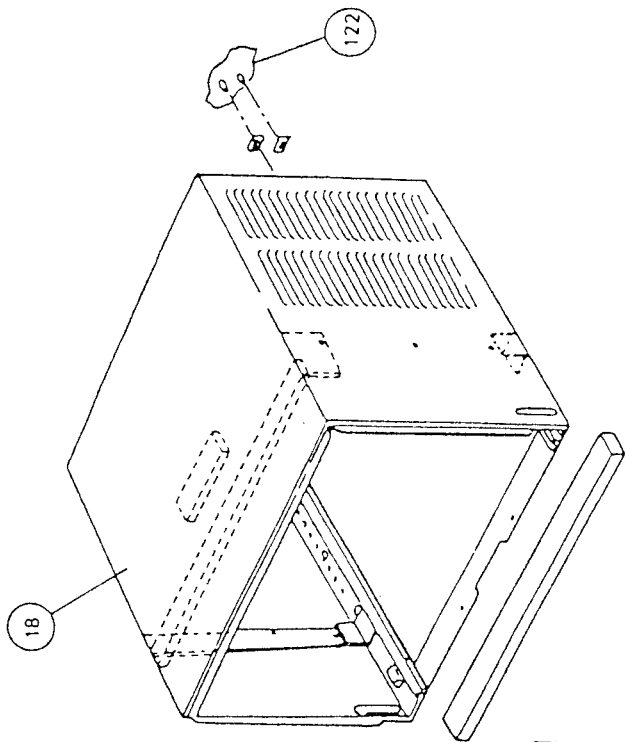
HIGH POWER

DISASSEMBLY ILLUSTRATION









AXG18AAZ-W
 AXG18ABZ-W
 AXG18ANZ-W
 AXG18ACZ-W
 AXG18APZ-W

PARTS LIST

When you order parts, please make a photocopy of this page
 and fill the number of the parts in the "Order" column.

FRONT PANEL PARTS

Ref. No.	Description	Part No.	Order Q'ty	Ref. No.	Description	Part No.	Order Q'ty
1	Front Panel	9352565014		8-1	Filter	9352567018	
2	Removable Panel	9352566011		8-2	Filter Clamp	9351413026	
3-1	Louver-A	313687009100		13	Louver Frame	9352569012	
3-2	Louver-C	313687009409		15-A	Louver Frame Assy	9352854019	
3-3	Louver-D	313687009607		15-B	Front Panel Assy	9352853012	
4-2	Louver Link-E	313816009705		17-1	Decoration Plate-A	9352572012	
4-3	Louver-B	9352571015		17-2	Decoration Plate-B	9352573019	
5-4	Spring-C (Louver)	313687016305		647	Switch Panel Lid	9352568015	
7	Emblem (Front Panel)	9352574016		648	Switch Panel Lid Arm	9351579029	

CABINET AND CHASSIS PARTS

Ref. No.	Description	Part No.	Order Q'ty	Ref. No.	Description	Part No.	Order Q'ty
18	Cabinet Assy	9389050026		113	Suction Pipe Assy	9360659002	
19	Base Assy	9389051061		114	Air Duct Pipe-E	313252257206	
20	Supporter-C	313286126451		115	Capillary Tube	9352061004	
21	Exhaust Air Damper	313094121201		119	Condenser Assy	313347083100	
28	Blower Cover	313094041000		120	Evaporator Assy	313583084100	
29	Supporter-B	313179042852		122	Emblem-B (Rear)	313510088306	
30	Blower Mouth Assy	313094044308		126	Condensing Pipe-B	9350343010	
37	E.Fixture	313094120108		127	Inlet Pipe-B (Evaporator)	313583019206	
38-1	Switch Box-A	313094054208		128-2	Rubber (Discharge Pipe)	313202086308	
39	Switch Panel	9352974014		135	Switch Box Cover-B	313567220504	
40	Switch Box Cover	313094120605		142	Drain Pipe	9351746018	
41	Wire Clamp	313094065802		151	Front Panel Screw	313221252806	
44	Capacitor Band (Running Capacitor)	313179061753		162	Thermostat Holder Rubber	313620262808	
45	Motor Fixing Table	313094249901		163	Thermostat Spring-A	313369262701	
46	Pipe Absorber Clamp	313394229806		166	Separate Wall	313209033255	
47-2	Rubber (Discharge Pipe)	313185159802		170	Clamp-B (Wire Lead-in Pipe)	313094119306	
52	Louver Arm	313822122108		171	Clamp-C (Wire Lead-in Pipe)	313094264801	
56	Sirocco Fan Assy	313094047602		175	Inlet Pipe-C (Evaporator)	313583019303	
57	Hex.Socket Screw	313616213202		192	Clamp No.062	313361271402	
58	Propeller Fan Assy	313094048704		195	Clamp SKB-100	313361275805	
59	Operation Switch	313851060108		197-3	Wind Guide Board-A	313286047251	
60	Thermostat	9354390003		199	BR Seat	313347108201	
61	Power Cord Assy	9361053014		239	Water Seal Plate	313611036601	
62	Fan Motor Assy	9600659014		272	Strainer	9350203024	
65	Super Wave Motor	9370014013		320-1	Wire Clamp Metal	313483219905	
66	Super Wave Switch	9354272002		320-2	Wire Clamp Metal-B	313874219907	
67	Rubber (Vibration-proof)	313659068604		338	Motor Fixture	313006297103	
69	Protection Tube (Thermostat)	313337060303		340	Plug Assy	9354426016	
71	Thermostat Knob	9351541026		361	Bushing	313822302108	
72	Knob Spring (Thermostat Knob)	313008061010		362	Guide Plate (Switch Box Cover)	313094301807	
74	Operation Knob	313482059201		363	Moving Plate (Switch Box Cover)	313822301905	
75	Knob Spring (Operation Knob)	313061128802		396	Wire Lead-in Pipe-C	313816330605	
99	Drain Pan	313094046118		397	Select Lever Assy	313094336001	
105	Compressor Assy	9360509062		402	Arm Holder	313818124307	
106	Running Capacitor	9703127014		405	Clamp No.1763	313816345304	
107	Rubber Seat-A (For Comp.)	313093081402		436	Spiral Plate-A	313183199257	
109	Terminal Cover (For Comp.)	313202059600		437	Spiral Plate Cover	313209115350	
110	Lock Wire (Term. Cover)	313202059706		495	Clamp No.1116	313567400000	
111	Terminal Packing (For Comp.)	313202059807		654	Clamp-A	313061103204	
112	Discharge Pipe	313583082105					

